



CEMENTTECH



MS2 MOBILE MIXER PARTS MANUAL

MS2E VM PP BLOCK 0.01



CONNECT

REMOTE VIDEO SUPPORT

PARTS IDENTIFICATION

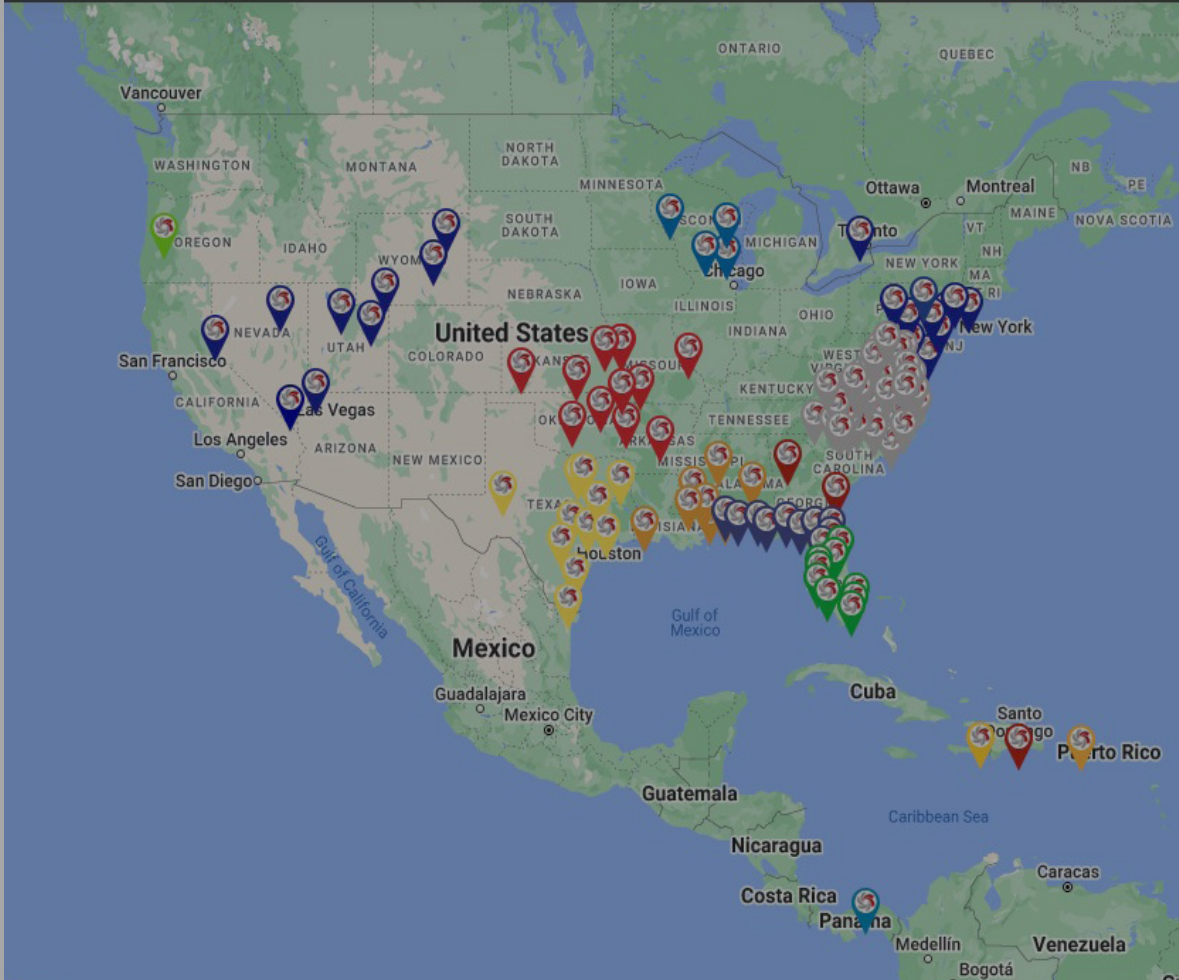
LIMIT DOWNTIME

TECHNICAL FIELD SUPPORT

NO-COST SERVICE



cementech.com/cemen-tech-connect



Dealer Inquiry

First Name*

Last Name

Email*

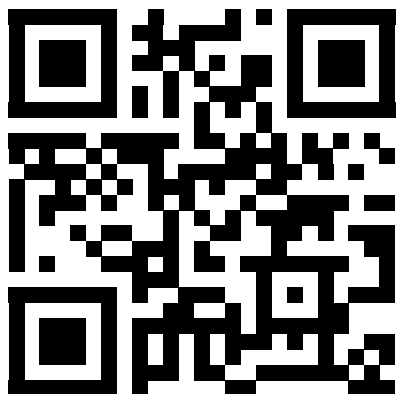
Phone Number

Website URL

Country*

- Please Select -

City



Enjoy support from your local Cemen Tech dealer and the factory before, during, and after the sale. No other volumetric concrete mixer manufacturer offers a North American network like this for sales and support.

cementtech.com/find-a-cemen-tech-dealer

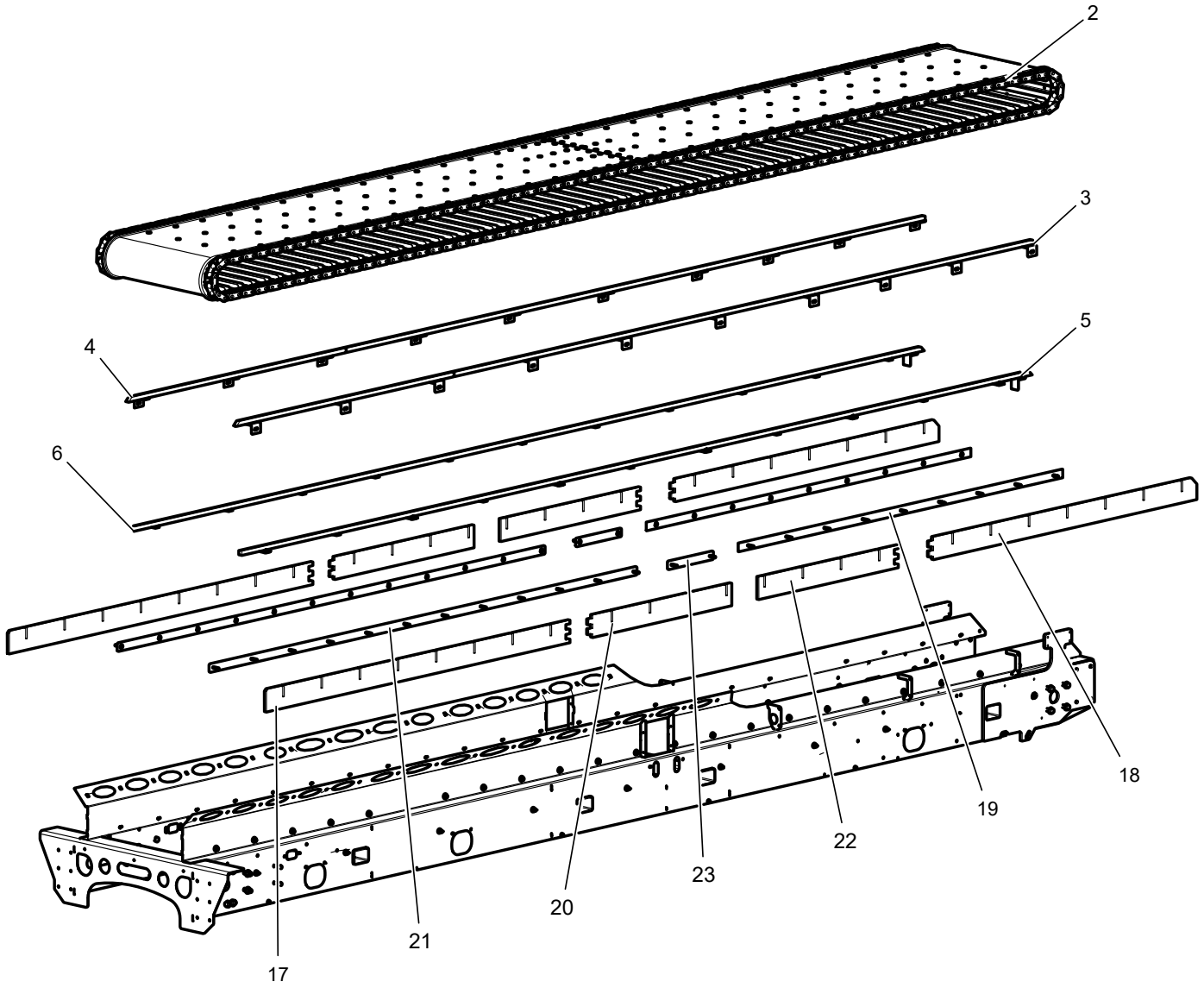
Table of Contents

1. Conveyor	
1.1. Conveyor & Belt Assembly	8
1.2. Chain Oiler	14
1.3. Mounting Brackets	16
2. Aggregate Bin	
2.1. Aggregate Bin	18
2.2. 2 Yard Extension	20
2.3. Manual Gates	22
2.4. Auto Gates	24
2.5. Auto Tarp	26
3. Cement Bin	
3.1. Cement Bin	28
3.2. Cement Bin Windows	30
3.3. Cement Bin Lid	32
3.4. Cement Bin Augers	34
3.5. Cement Bin Breather Vent	36
3.6. Cement Bin Drive: Mechanical Cement Bin	38
3.7. Transfer Auger Housing	44
3.8. Transfer Auger Drive: Mechanical Cement Bin	46
3.9. Drive Shields: Mechanical Cement Bin	48
3.10. Work Platform	50
4. Mixer	
4.1. Mixer Install: 360 Swivel Chute	52
4.1.1. Mixer Assembly: 360 Swivel Chute	56
4.1.2. Mixer Discharge Chute: 360 Swivel Chute	58
4.2. Mixer Install: Dual Cylinder Chute Lift	60
4.2.1. Mixer Assembly: Dual Cylinder Chute Lift	64
4.2.2. Mixer Discharge Chute: Dual Cylinder Chute Lift	66
4.3. Mixer Auger, Idler End, and Drive End	68
4.4. Mixer Diaper	72
4.5. Mixer Swivel: Cylinders	76
4.6. Mixer Swivel: Fairlead	78
4.7. Mixer Swivel: Valve	80
4.8. Transport Hooks	82
4.9. Extra Chutes: Water Tank Mounted	84
4.10. Mixer Grease Gun	86
4.11. Mixer Heat Shield	88
4.12. Mixer Safety Switch	90
5. Water	
5.1. Water System	92
5.1.1. Water Tank and Base	94
5.1.2. Water Tank Mounting & Riser	96
5.1.3. Water Pump	98

5.1.4. Water Pipe	100
5.2. Water Control	102
5.3. Washout/Blowout System	104
6. Pneumatic	
6.1. Pneumatic System	106
6.2. Pneumatic Valve Bank	108
6.3. Air Regulator	110
6.4. Cement Bin Vibrators & Aerators	112
7. Hydraulic	
7.1. Hydraulic System: Mechanical Cement Bin	114
7.2. Control Valve: 4 Section, Standard	116
7.3. Control Valve: 4 Section, w/ Wireless Remote	118
7.4. Control Valve: 5 Section, Standard	120
7.5. Hydraulic Tubes	122
7.6. Return Manifold	124
7.7. Transfer Auger Shutoff	126
7.8. Hydraulic Tank	128
7.9. Hydraulic Valve Covers	130
8. Admixture	
8.1. Admixture Tank Assembly	132
8.2. Admixture Discharge & Flow Meter	136
8.2.1. Low Flow Admixture Pump	138
8.2.2. Low Flow Admixture Recording Meter	140
8.3. Fiber Chopper System	142
8.3.1. Fiber Chopper Assembly	144
9. Electrical	
9.1. Control Panel	148
9.1.1. Control Panel Enclosure	150
9.1.2. Control Panel Wiring	152
9.2. Wireless Remote	154
9.2.1. Wireless Remote: Receiver	156
9.2.2. Wireless Remote: Air Valve	158
9.2.3. Wireless Remote: Chute Lift Valve	160
9.3. LH Main Harness	162
9.4. RH Main Harness	164
9.5. LH Electrical Controls	166
9.6. RH Electrical Controls	168
9.7. RH Electrical Cabinet	170
9.8. Truck Connections	176
9.9. Battery Connections	178
9.10. Wireway	180
9.11. Backup Alarm	182

Table of Contents

10. Lights	
10.1. Strobe Lights	186
10.2. Clearance Lights	188
10.3. Side Marker Light Wireloom	190
10.4. Control Panel Lights	192
11. Unit Mounting	
11.1. Unit Mounting: Renault	194
11.2. Pump Mounting	196
12. Decals & Paint	
12.1. Decals	198
12.2. Paint	200

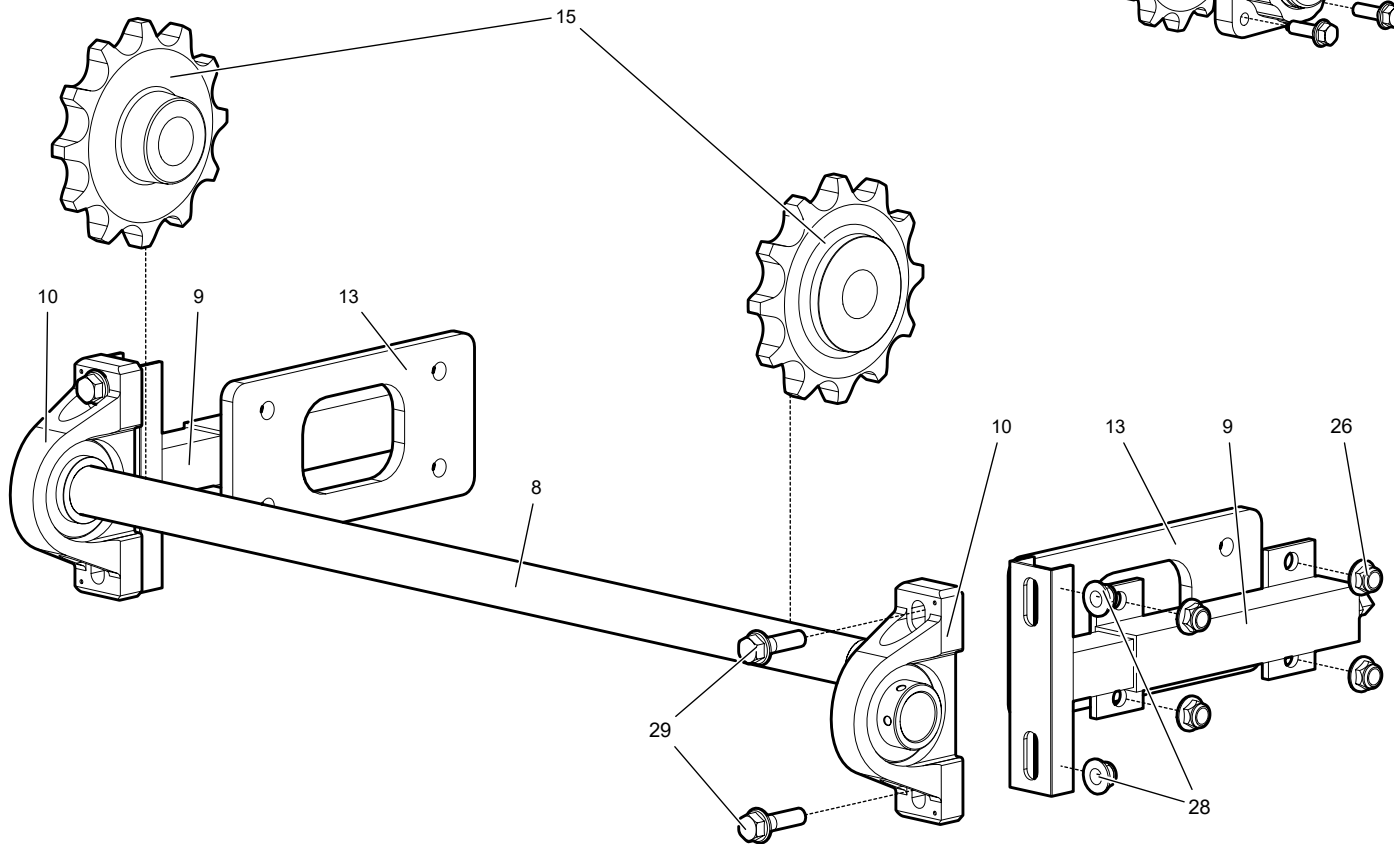
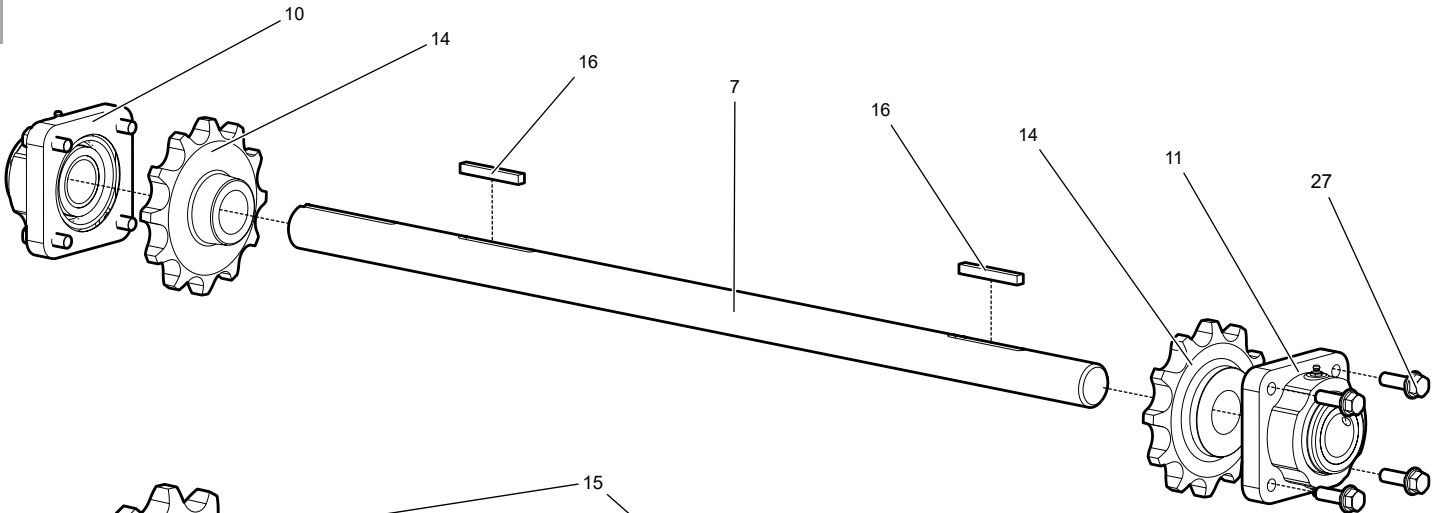


Item	Description	Part Number	Qty
2	CHAIN AND BELT	0370-110-00	1
3	CHAIN RAIL, LH UPPER	1068-201-00	1
4	CHAIN RAIL, RH UPPER	1068-202-00	1
5	CHAIN RAIL, LH BOTTOM	2603-288-00	1
6	CHAIN RAIL, RH BOTTOM	2603-289-00	1
17	MATERIAL GUIDE	0859-037-00	2
18	MATERIAL GUIDE	0859-018-00	2
19	MATERIAL GUIDE, RETAINER	1767-019-00	2
20	MATERIAL GUIDE	0859-033-00	2
21	MATERIAL GUIDE, RETAINER	2542-489-01	2
22	MATERIAL GUIDE	0859-036-00	2
23	MATERIAL GUIDE, RETAINER	2542-492-01	2

Continued on next page

Conveyor: Bearings, Shafts, & Sprockets

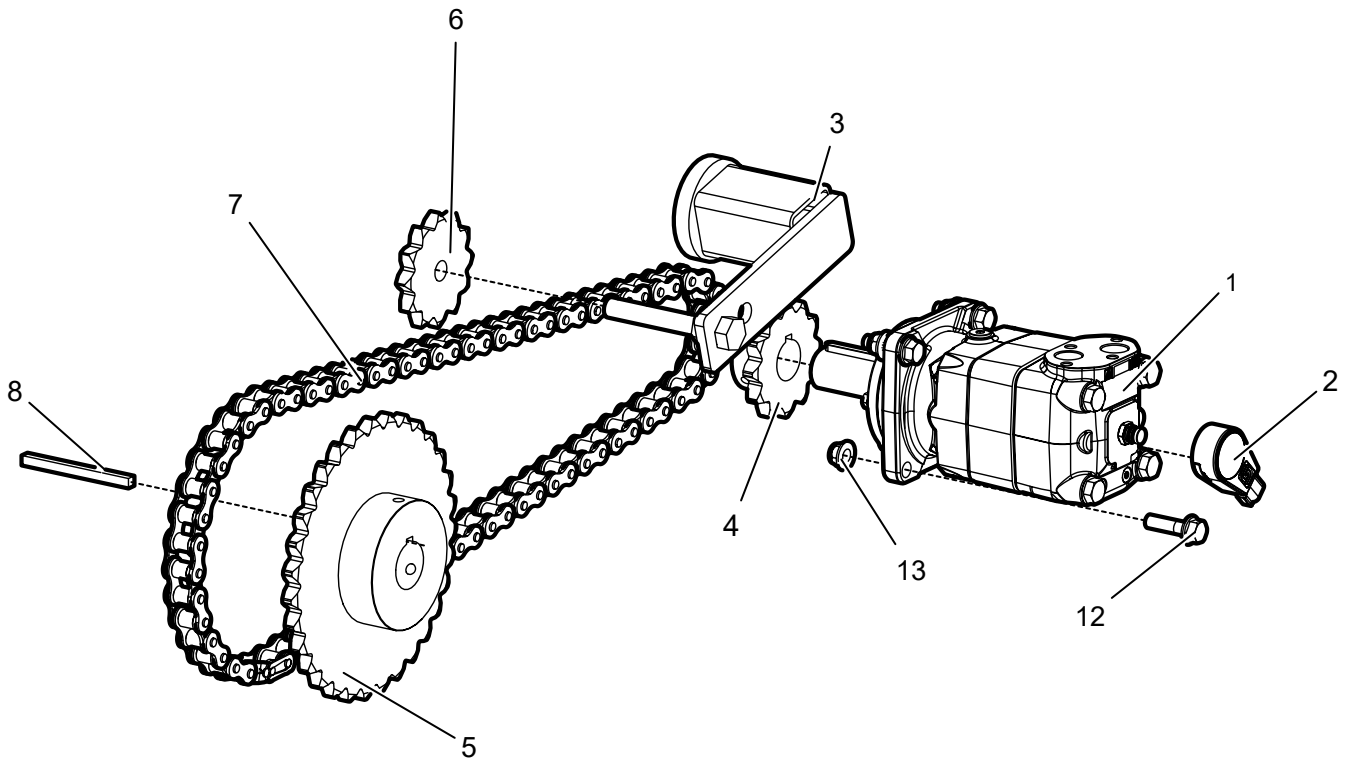
REAR



FRONT

Item	Description	Part Number	Qty
7	CONVEYOR DRIVE SHAFT	2542-065-00	1
8	IDLER SHAFT	2542-071-09	1
9	TAKE-UP BEARING	5155-250-000	2
10	BEARING	5152-124-002	2
11	BEARING	5151-129-001	1
12	BEARING	5151-129-000	1
13	TENSIONER SPACER	2581-045-01	2
14	DRIVE SPROCKET	5179-212B	2
15	IDLER SPROCKET	5179-212A	2
16	KEY STOCK	5375-004-00300	2
26	FLANGE LOCK NUT	5307-216-000	20
27	BOLT	5309-412-000	8
28	FLANGE LOCK NUT	5307-413-000	12

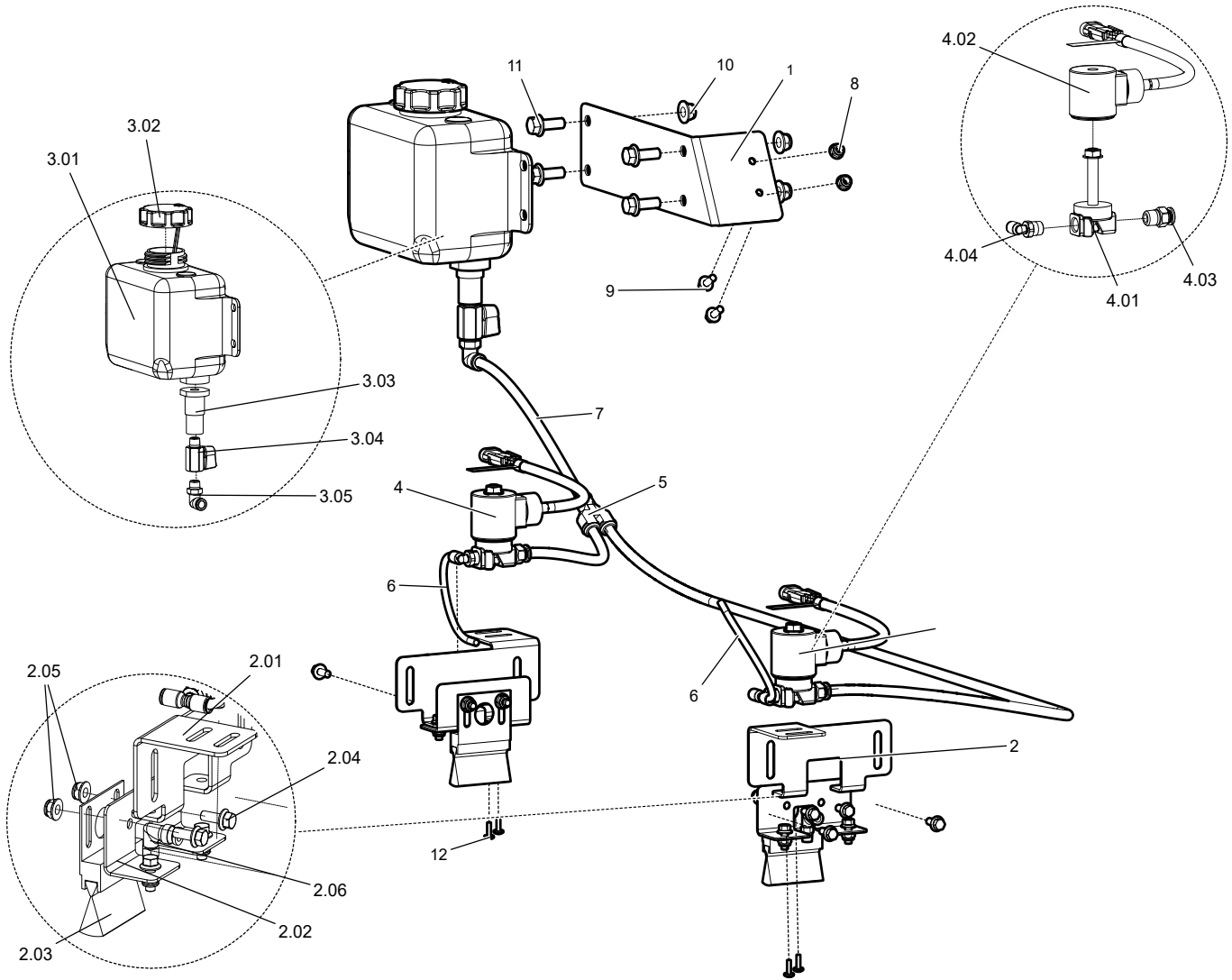
Conveyor Drive: Mechanical Cement Bin



Item	Description	Part Number	Qty
1	HYDRAULIC MOTOR	5233-701-000	1
2	ENCODER	5508-202-000	1
3	TENSIONER	5813-004	1
4	SPROCKET	5176-212A	1
5	SPROCKET	5176-231	1
6	IDLER SPROCKET	5176-812	1
7	CHAIN	2603-061-03	1
8	KEY STOCK	5375-004-00463	1
9	BOLT	5309-414-000	4
10	FLANGE LOCK NUT	5307-413-000	4

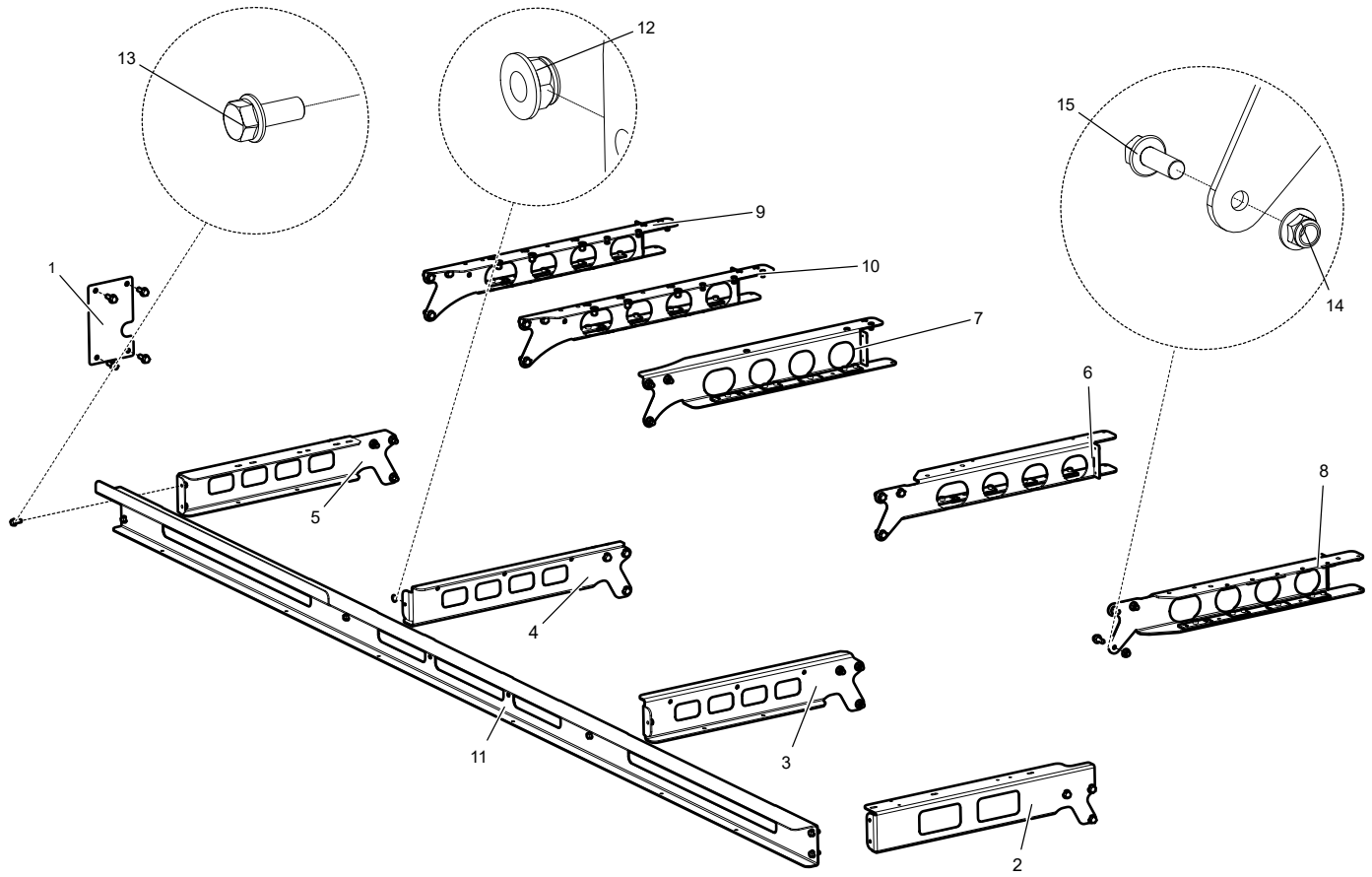
REPLACEMENT KITS

Item	Description	Part Number	Qty
RK1	MOTOR SEAL KIT	5233-700-001	1



Item	Description	Part Number	Qty
1	CHAIN OILER RESERVOIR MOUNT	2603-081-03	1
2.01	COIL MOUNT	2603-070-03	1
2.02	BRUSH MOUNT	2603-077-03	1
2.03	OIL RITE BRUSH	GPCS8127	1
2.04	BOLT	5309-0005	4
2.05	FLANGE LOCK NUT	5307-020-000	4
2.06	PUSHLOCK 90	5077-522	1
3.01	OIL RESERVOIR	2581-050-01	1
3.02	OIL RESERVOIR CAP	5200-530-002	1
3.03	BULKHEAD	5457-940	1
3.04	BALL VALVE	5456-158-000	1
3.05	PUSHLOCK 90	5077-544-001	1
4.01	ELECTRIC VALVE	5405-218-000	1
4.02	SHUTOFF COIL, 24V	2552-302-00	1
4.03	PUSHLOCK STRAIGHT	5079-444	1
4.04	PUSHLOCK 90	5077-523	1
5	PUSHLOCK UNION Y	5077-820-011	1
6	AIRLINE TUBING	5075-204	1.34'
7	AIRLINE TUBING	5075-206	5.66'
8	FLANGE LOCK NUT	5307-020-000	2
9	BOLT	5309-005-000	6
10	FLANGE LOCK NUT	5307-216-000	4
11	BOLT	5309-208-000	4
12	SCREW	5335-320-001	4

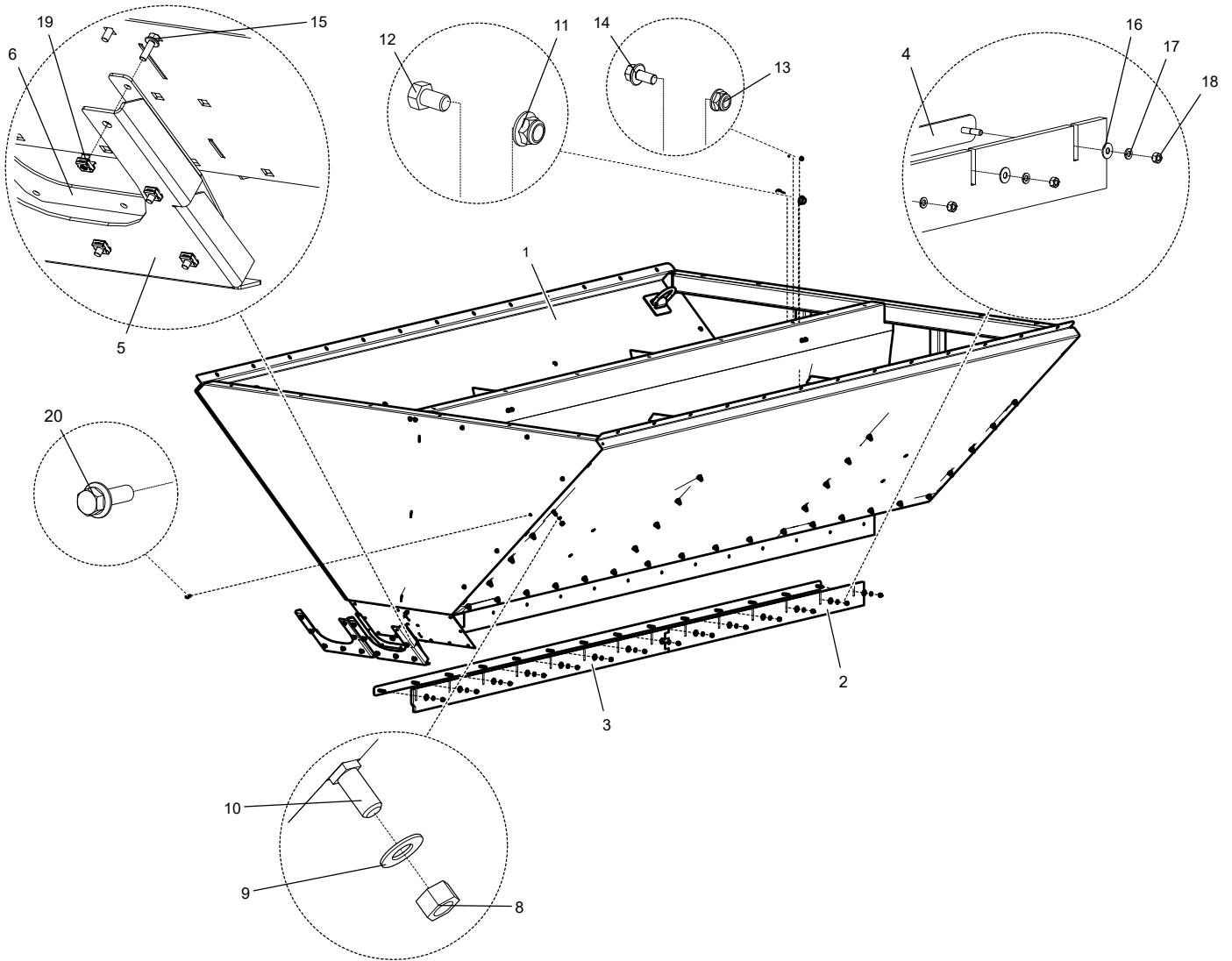
Mounting Brackets



Item	Description	Part Number	Qty
1	MOTOR MOUNT COVER	2603-053-00	1
2	FENDER BRACKET, RH FRONT	2603-054-10	1
3	FENDER BRACKET, RH FRONT	2603-074-11	1
4	FENDER BRACKET, RH BACK	2603-075-11	1
5	FENDER BRACKET, RH GATE WALL	2603-076-11	1
6	FENDER BRACKET, LH HYD TANK	2603-240-03	1
7	FENDER BRACKET, LH GATE WALL	2603-241-03	1
8	FENDER BRACKET, LH FRONT	2603-242-03	1
9	FENDER BRACKET, LH REAR	2603-263-03	1
10	FENDER BRACKET, LH REAR	2603-262-03	1
11	BRACKET, RH FENDER RAIL	2603-069-10	1
12	FLANGE LOCK NUT	5307-118-000	6
13	BOLT	5309-106-000	6
14	FLANGE LOCK NUT	5307-216-000	27
15	BOLT	5309-208-000	31

Aggregate Bin

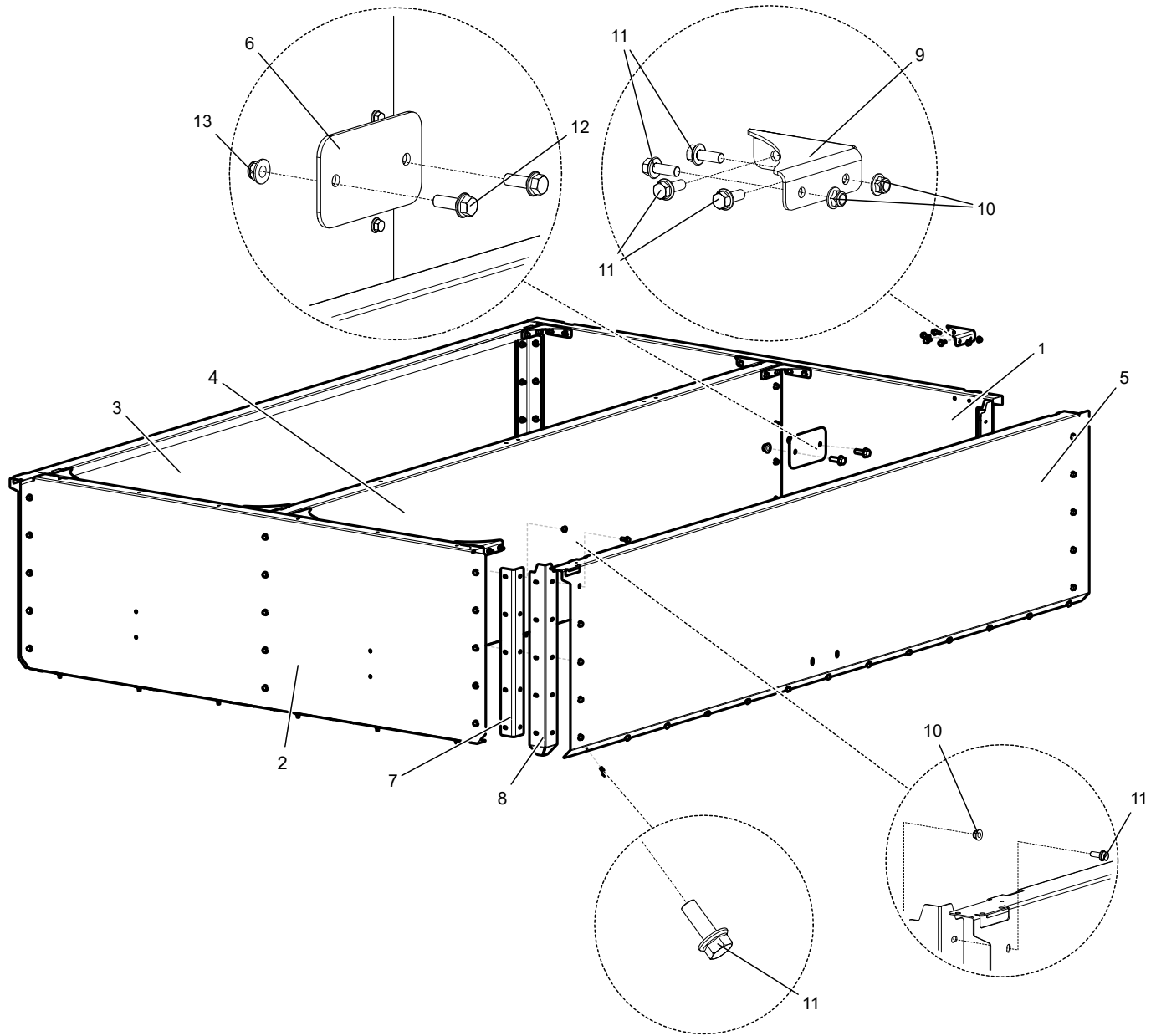
Aggregate Bin



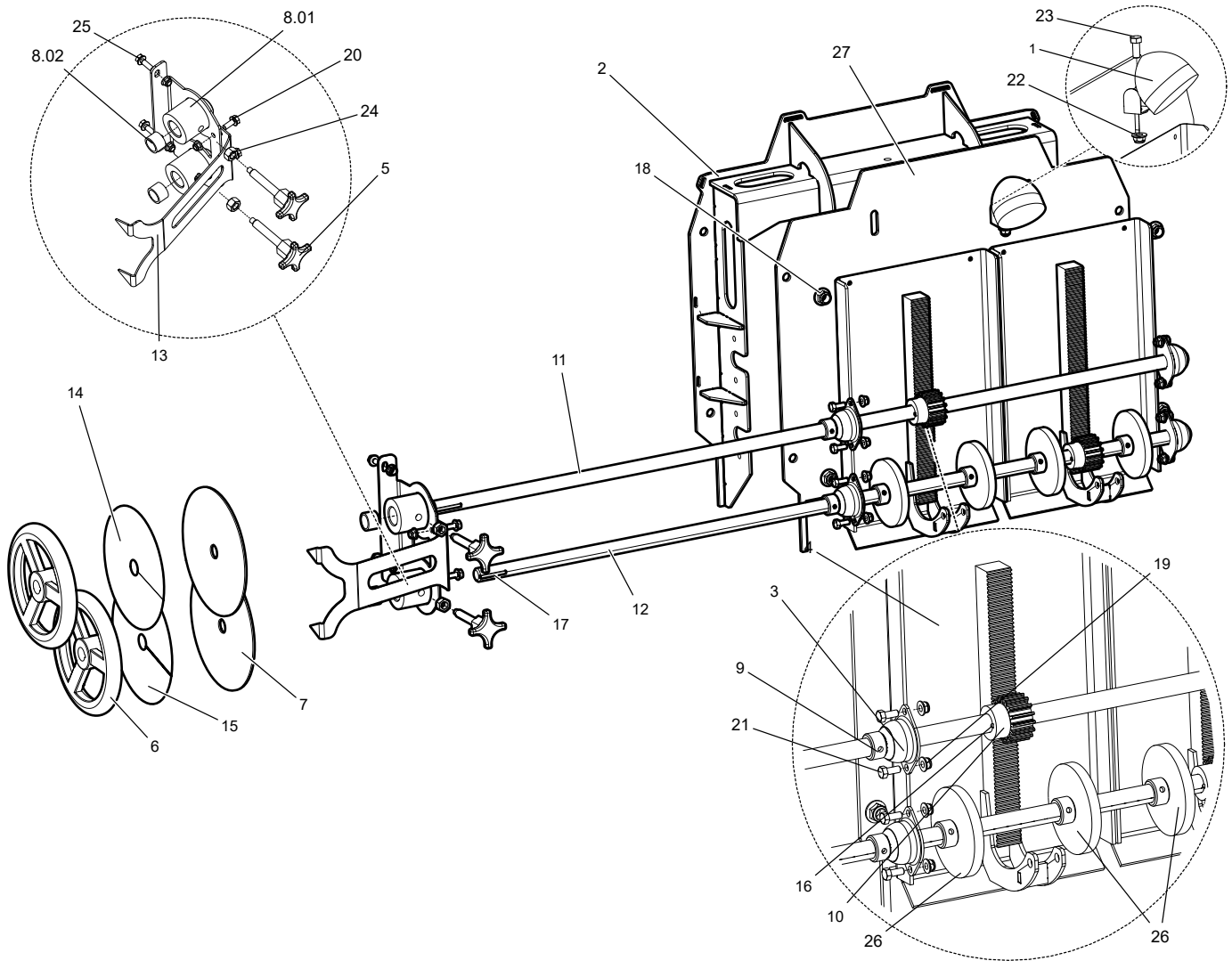
Item	Description	Part Number	Qty
1	AG-BIN, 132" LIGHTWEIGHT	2063-223-03	1
2	MATERIAL GUIDE	0859-025-00	1
3	MATERIAL GUIDE	0859-024-00	1
4	MATERIAL GUIDE RETAINER	1767-012-00	1
5	BELT WIPER	2542-061-01	2
6	BELT WIPER RETAINER	2603-055-01	2
7	FLANGE LOCK NUT	5307-216-000	4
8	NUT	5300-216	64
9	FLAT WASHER	5310-201-000	64
10	CARRIAGE BOLT	5325-200-000	64
11	FLANGE LOCK NUT	5307-611-000	4
12	BOLT	5315-608	4
13	FLANGE LOCK NUT	5307-020-000	8
14	BOLT	5309-004-000	8
15	BOLT	5309-006-000	20
16	FLAT WASHER	5310-100-004	14
17	LOCK WASHER	5305-100-001	14
18	NUT	5300-118-001	14
19	CAGE NUT	5300-020-100	14
20	BOLT	5326-208-000	4

2 Yard Extension

Aggregate Bin

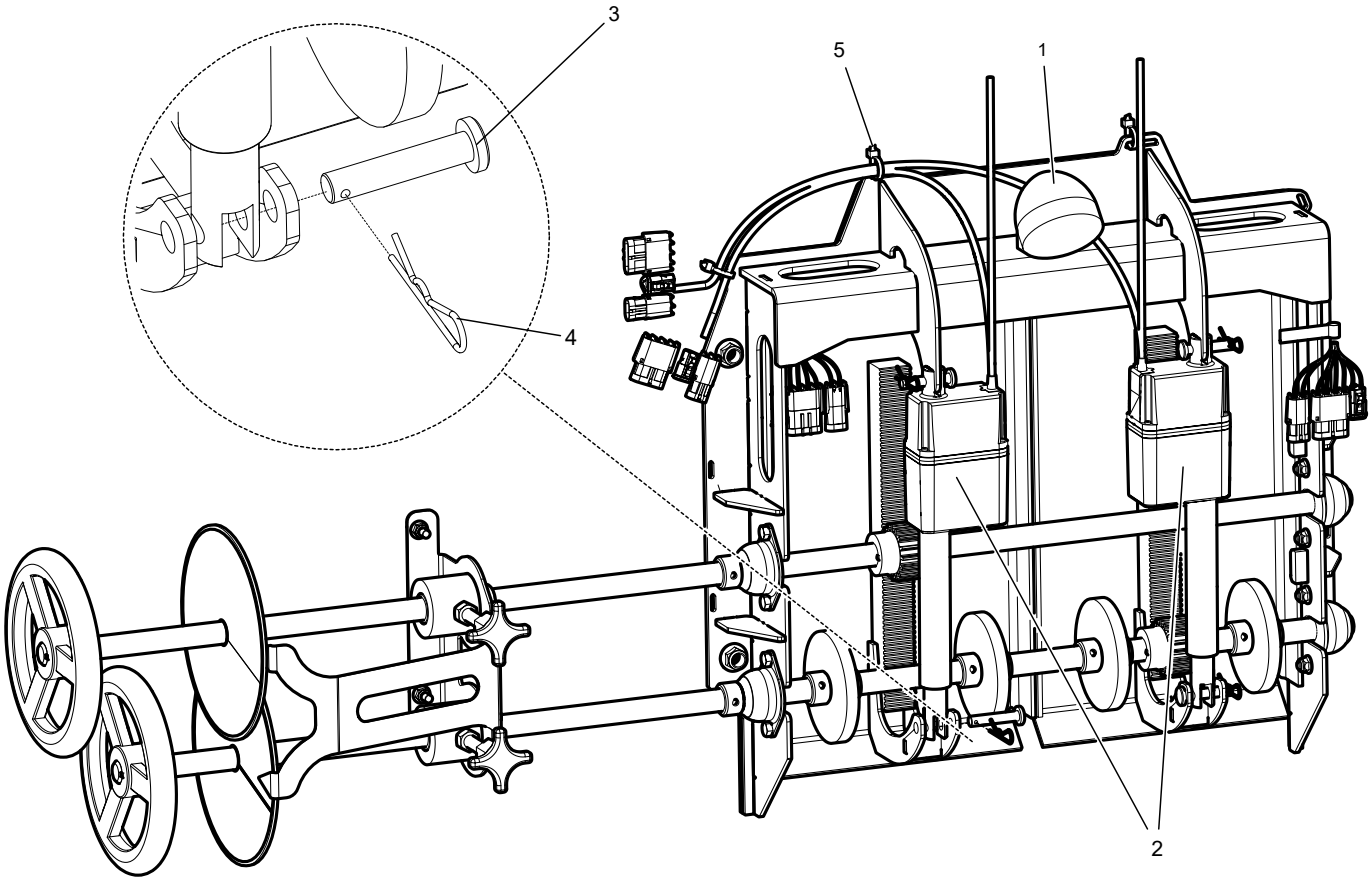


Item	Description	Part Number	Qty
1	EXTENSION, REAR	2603-234-03	1
2	EXTENSION, FRONT	2603-080-11	1
3	EXTENSION, RH	2603-235-03	1
4	EXTENSION, CENTER	2603-081-11	1
5	EXTENSION, LH	2603-236-03	1
6	TARP PIVOT MOUNT	2603-006-08	2
7	AGBIN CORNER BRACKET	2603-015-00	6
8	CORNER SEAL	2603-023-01	4
9	AGBIN BOLT ON GUSSET	2603-009-10	8
10	FLANGE LOCK NUT	5307-216-000	83
11	BOLT	5309-208-000	131
12	BOLT	5309-614-002	4
13	FLANGE LOCK NUT	5307-611-000	4
<i>Install Kit</i>			
IK1	2 YARD EXTENSION, LIGHTWEIGHT	2603-345-03	1



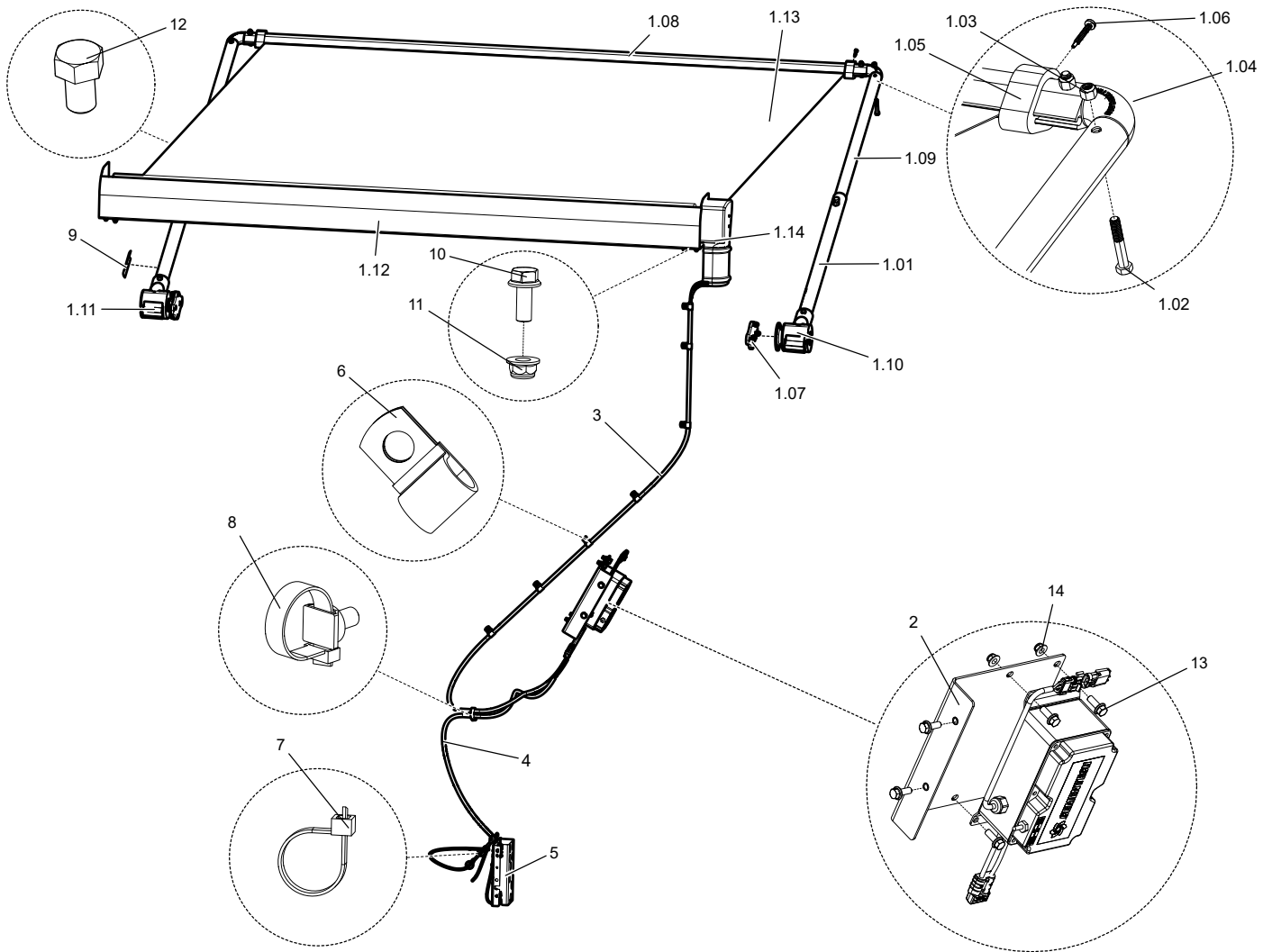
Item	Description	Part Number	Qty
1	WORK LIGHT	5540-155-008	1
2	AG-BIN GATE BRACKET	2603-298-03	1
3	BEARING FLANGE SLEEVE	5151-114-001	4
4	GATE	2542-260-03	2
5	KNOB	5850-100-001	2
6	GATE HANDLE	0963-007	2
7	WHEEL GATE LABEL	0476-203-00	2
8	SHAFT, SPROCKET, & LOCK	2603-474-02	1
8.01	DUAL GATE LOCK MOUNT	2603-299-03	1
8.02	BUSHING	5153-114-000	2
9	COLLAR	0963-037-00	12
10	SPUR GEAR	0963-036-00	2
11	UPPER SHAFT	2542-069-07	1
12	LOWER SHAFT	2542-070-07	1
13	POINTER, GATE DIAL	2542-071-07	1
14	DECAL: SAND DIAL	0906-020-00	1
15	DECAL: STONE DIAL	0906-021-00	1
16	KEY STOCK	5375-001-00200	2
17	KEY STOCK	5375-001-00175	2
18	FLANGE LOCK NUT	5307-413-000	4
19	FLANGE LOCK NUT	5307-118-000	12
20	BOLT	5309-106-000	2
21	BOLT	5315-106	8
22	FLANGE LOCK NUT	5307-216-000	1
23	BOLT	5315-207	1
24	NUT	5300-413	2
25	BOLT	5309-108-000	2
26	GATE ROLLER	2569-033-00	5
27	BACK PLATE	2603-023-04	1

Install Kit			
IK1	MANUAL GATES	2603-378-04	1



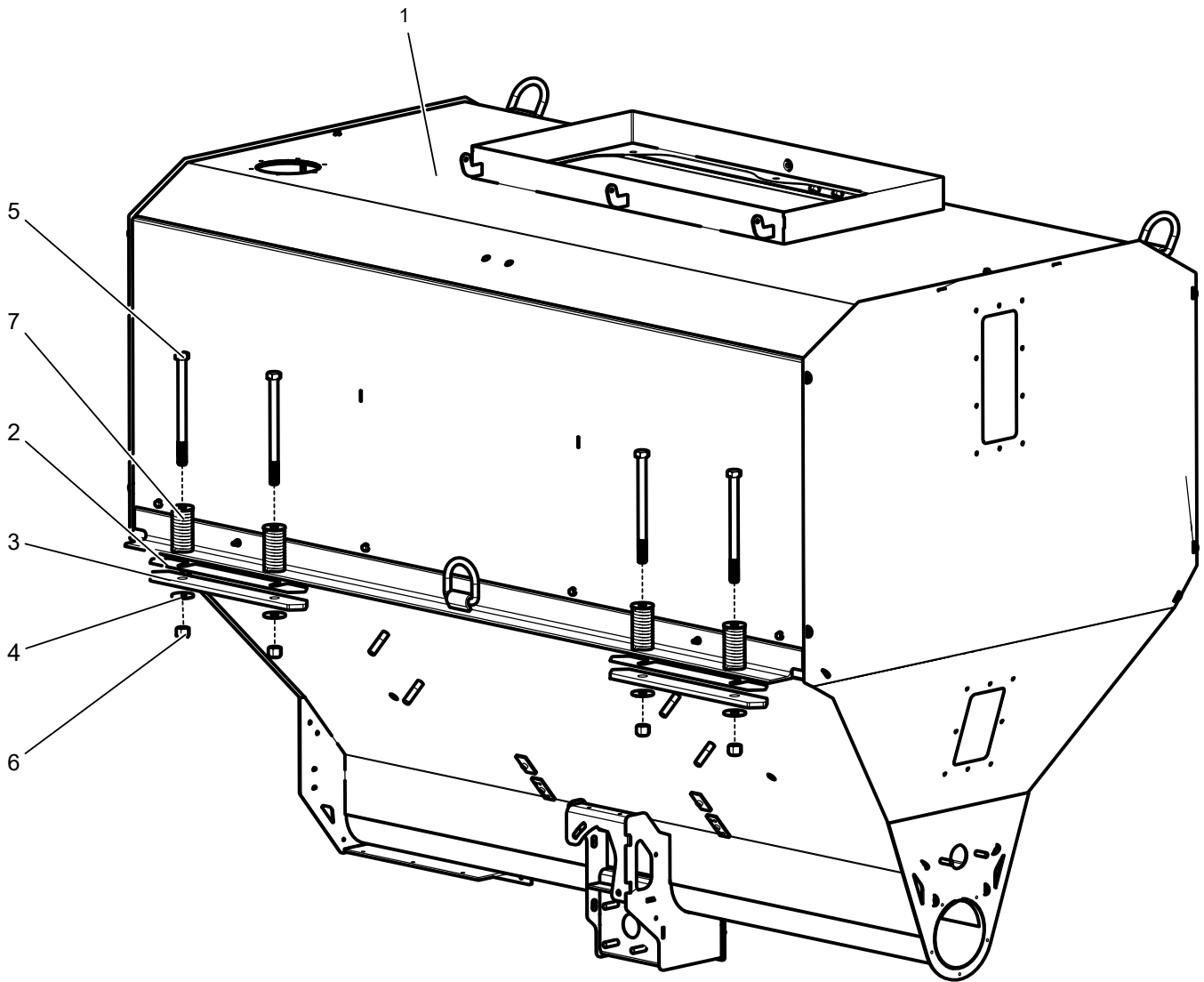
Item	Description	Part Number	Qty
1	WORK LIGHT	5540-155-008	1
2	MD LINEAR ACTUATOR, 24V	2552-364-06	2
3	CLEVIS PIN	5377-403-000	4
4	HAIR PIN	5377-312-000	4
5	WIRE TIE	5532-108	3

Install Kit			
IK1	AUTO GATES, 24V	2603-313-01	1

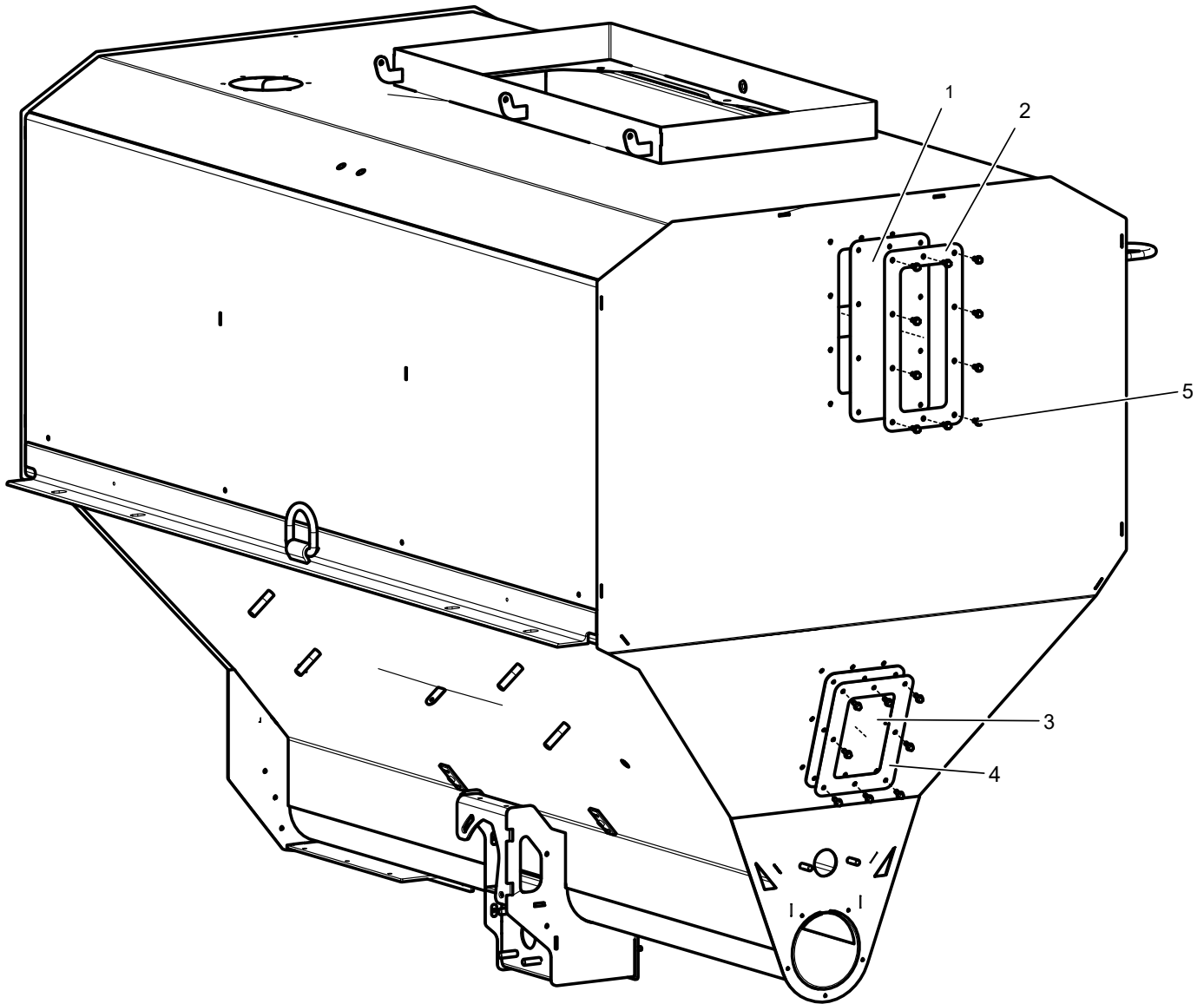


Item	Description	Part Number	Qty
1.01	LOWER TARP ARM	5910-791-009	2
1.02	BOLT	5309-218-002	4
1.03	NUT	5307-216-002	4
1.04	ELBOW	5910-791-003	2
1.05	CLAMP	5910-791-002	2
1.06	SCREW	5910-791-002	2
1.07	BOLT ON STUD PLATE	5910-791-013	2
1.08	REAR PULL BAR	5910-791-001	1
1.09	UPPER TARP ARM	5910-791-005	2
1.10	SPRING ENCLOSURE LH	5910-791-010	1
1.11	SPRING ENCLOSURE RH	5910-791-011	1
1.12	TARP HOUSING	5910-791-006	1
1.13	TARP, BLACK MESH	5910-791-000	1
1.14	MOTOR, 24V	5910-780.12	1
1.15	TARP CONTROLLER	2112-629-00	1
2	TARP SWITCH MOUNT	2603-450-01	1
3	TARP SWITCH WIRELOOM	2552-529-01	1
4	TARP BREAKER WIRELOOM, 24V	2552-529-06	1
5	BREAKER ASSEMBLY	2552-329-07	1
6	RUBBER DIP CLAMP	5370-740	7
7	WIRE TIE	5532-108	3
8	WIRE TIE TREE	5532-205-000	1
9	TARP TUBE LABEL	2552-829-00	2
10	BOLT	5309-106-000	6
11	FLANGE LOCK NUT	5307-118-000	6
12	BOLT	5315-406	2
13	BOLT	5309-208-000	6
14	FLANGE LOCK NUT	5307-216-000	4

Install Kits			
IK1	MESH AUTO TARP, BLACK 24V	2603-314-02	1

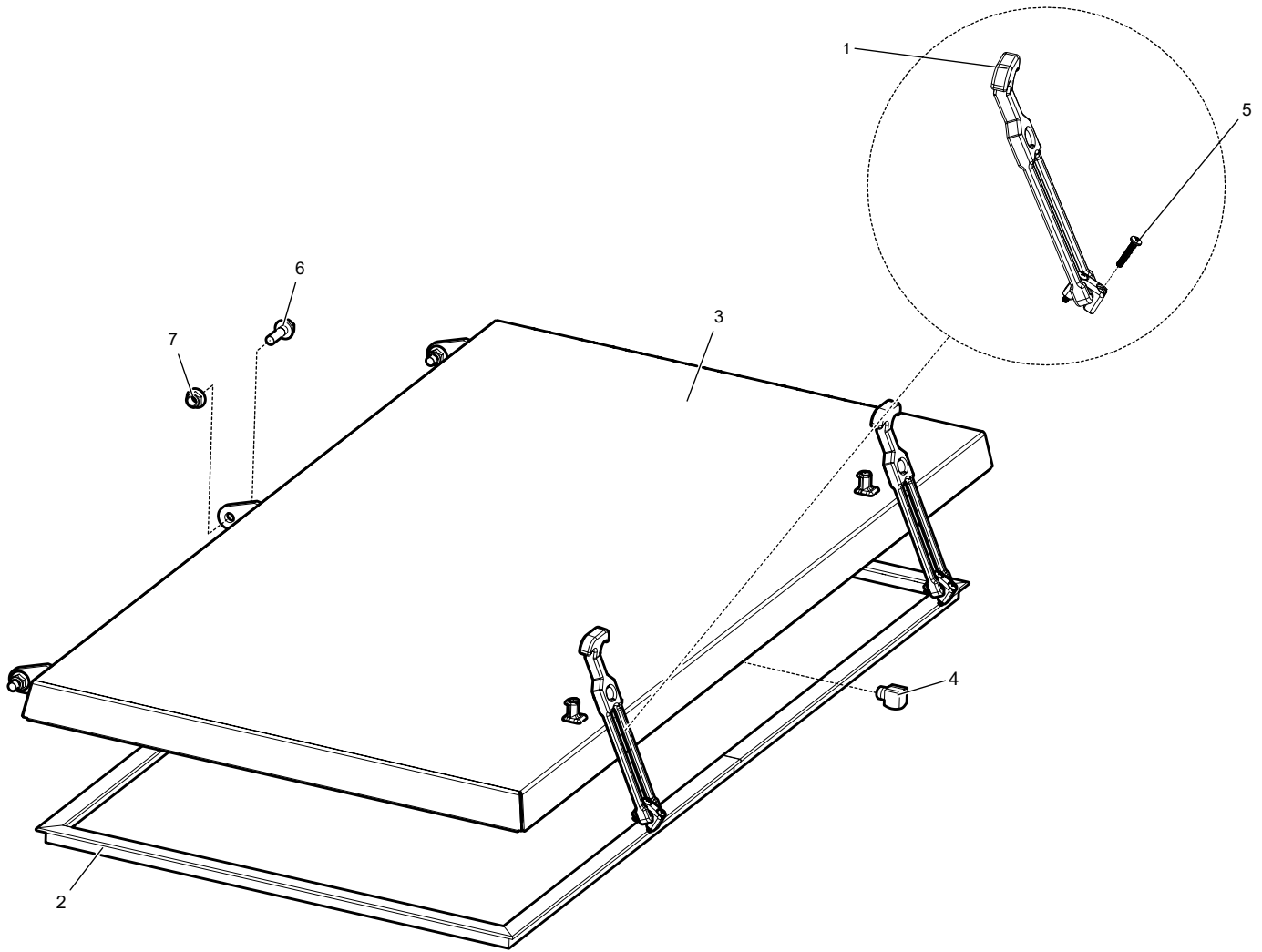


<i>Item</i>	<i>Description</i>	<i>Part Number</i>	<i>Qty</i>
1	CEMENT BIN, 115CF LW	2603-283-03	1
2	RUBBER SPACER	2603-059-03	2
3	MOUNT SHIM	2603-060-03	2
4	FLAT WASHER	5310-700	8
5	BOLT	5315-780	4
6	LOCKNUT	5302-710	4
7	SPRING	5379-041	4



<i>Item</i>	<i>Description</i>	<i>Part Number</i>	<i>Qty</i>
1	WINDOW, TOP	2542-058-02	2
2	BEZEL, TOP	2542-060-02	2
3	WINDOW, BOTTOM	2542-061-02	2
4	BEZEL, BOTTOM	2542-063-02	2
5	BOLT	5309-005-000	36

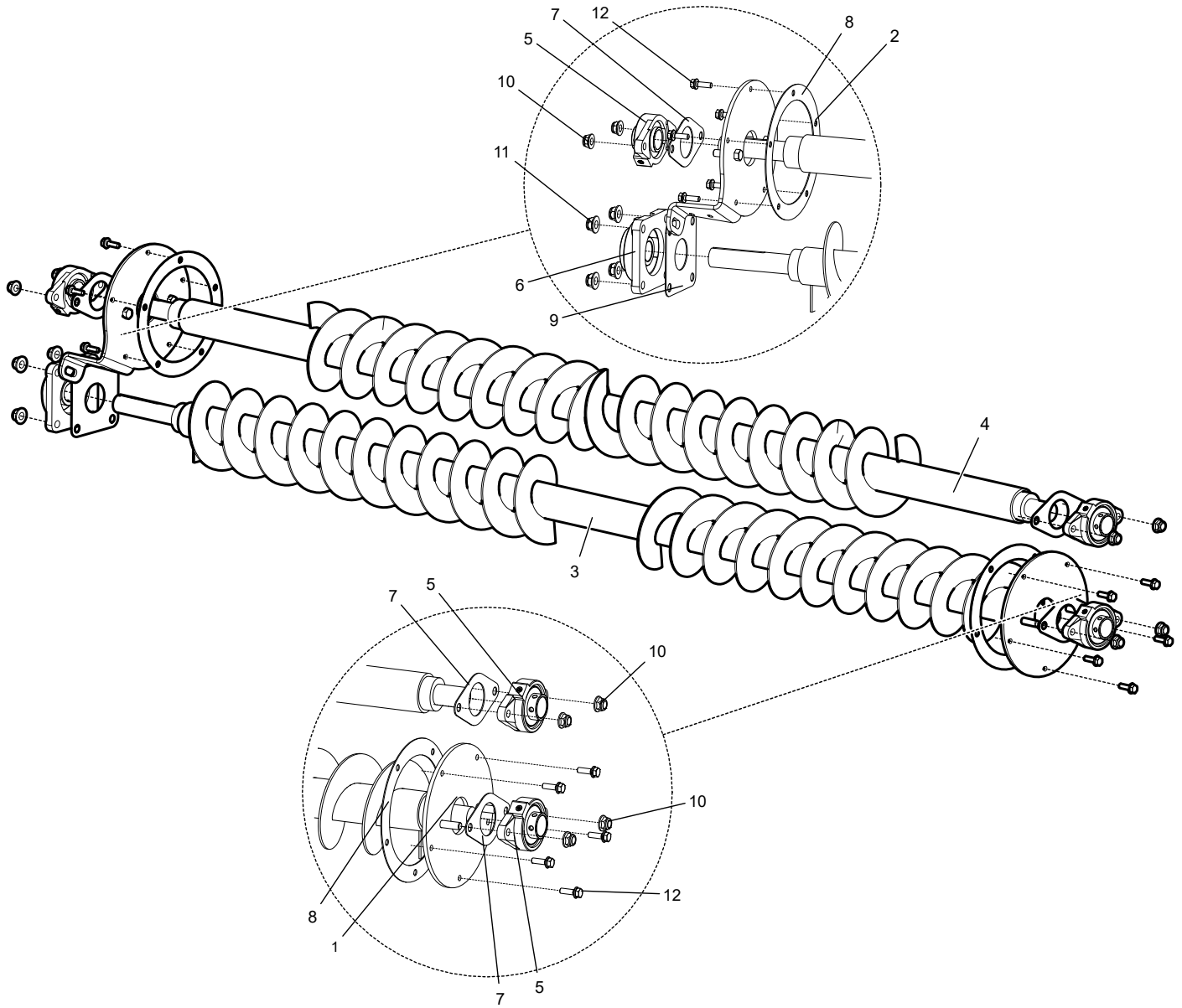
Cement Bin Lid



<i>Item</i>	<i>Description</i>	<i>Part Number</i>	<i>Qty</i>
1	RUBBER LATCH	5370-622-000	2
2	WEATHERSTRIP	5161-104-12500	1
3	CBIN LID	2603-429-02	1
4	BRASS ELBOW 90	5003-110-001	1
5	SCREW	5335-308	4
6	BOLT	5309-210-000	3
7	FLANGE LOCK NUT	5307-216-000	3

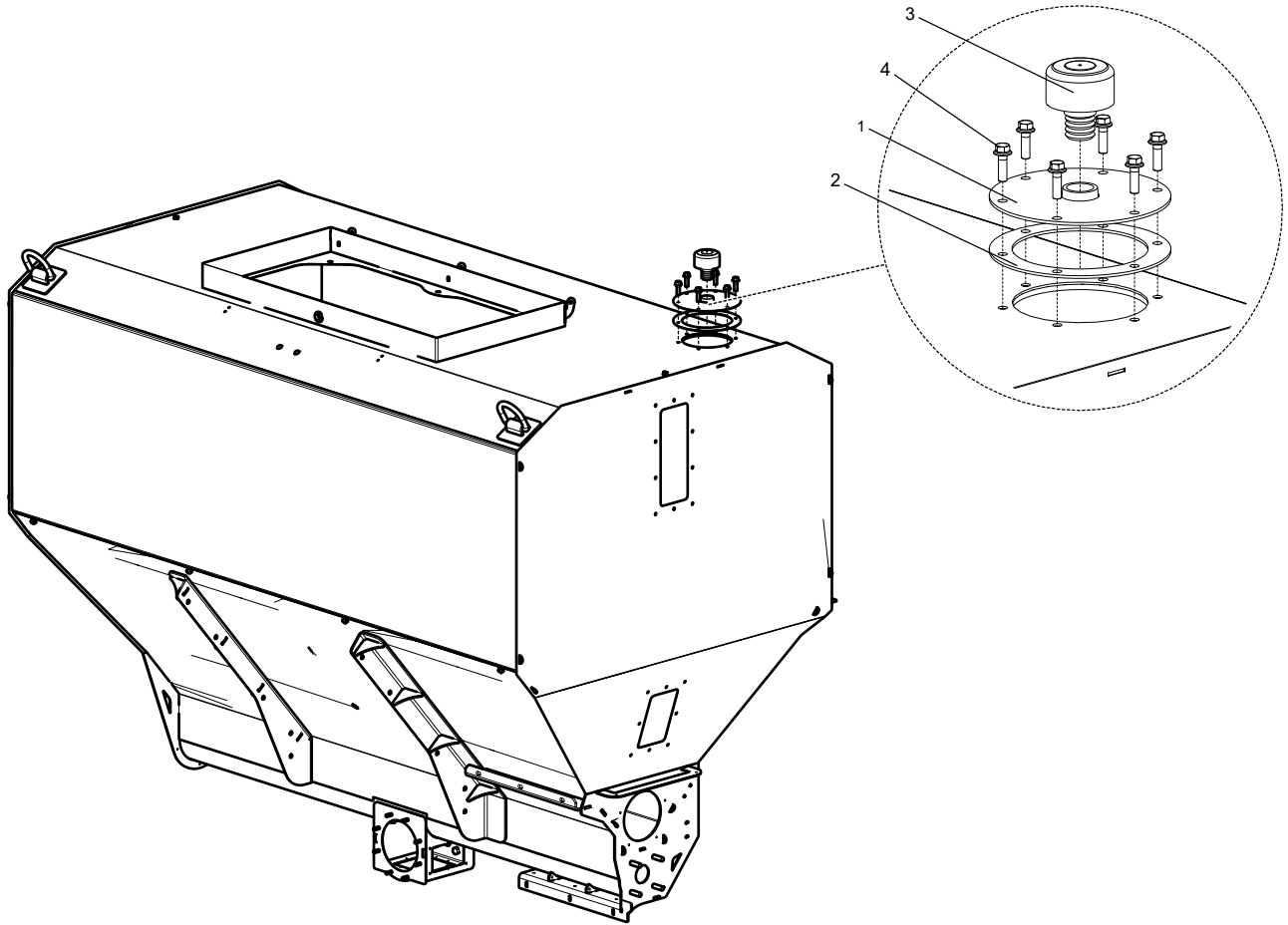
Cement Bin Augers

Cement Bin



Item	Description	Part Number	Qty
1	BEARING MOUNT	2603-220-00	1
2	BEARING MOUNT W/ IDLER	2603-232-01	1
3	TOP AUGER	2603-218-00	1
4	METER AUGER	2603-219-00	1
5	BEARING	5151-620-002	3
6	BEARING	5151-120	1
7	GASKET	2542-043-02	3
8	GASKET	2603-071-00	2
9	GASKET	2542-008-02	1
10	FLANGE LOCK NUT	5307-314-000	6
11	FLANGE LOCK NUT	5307-413-000	4
12	BOLT	5309-108-000	10

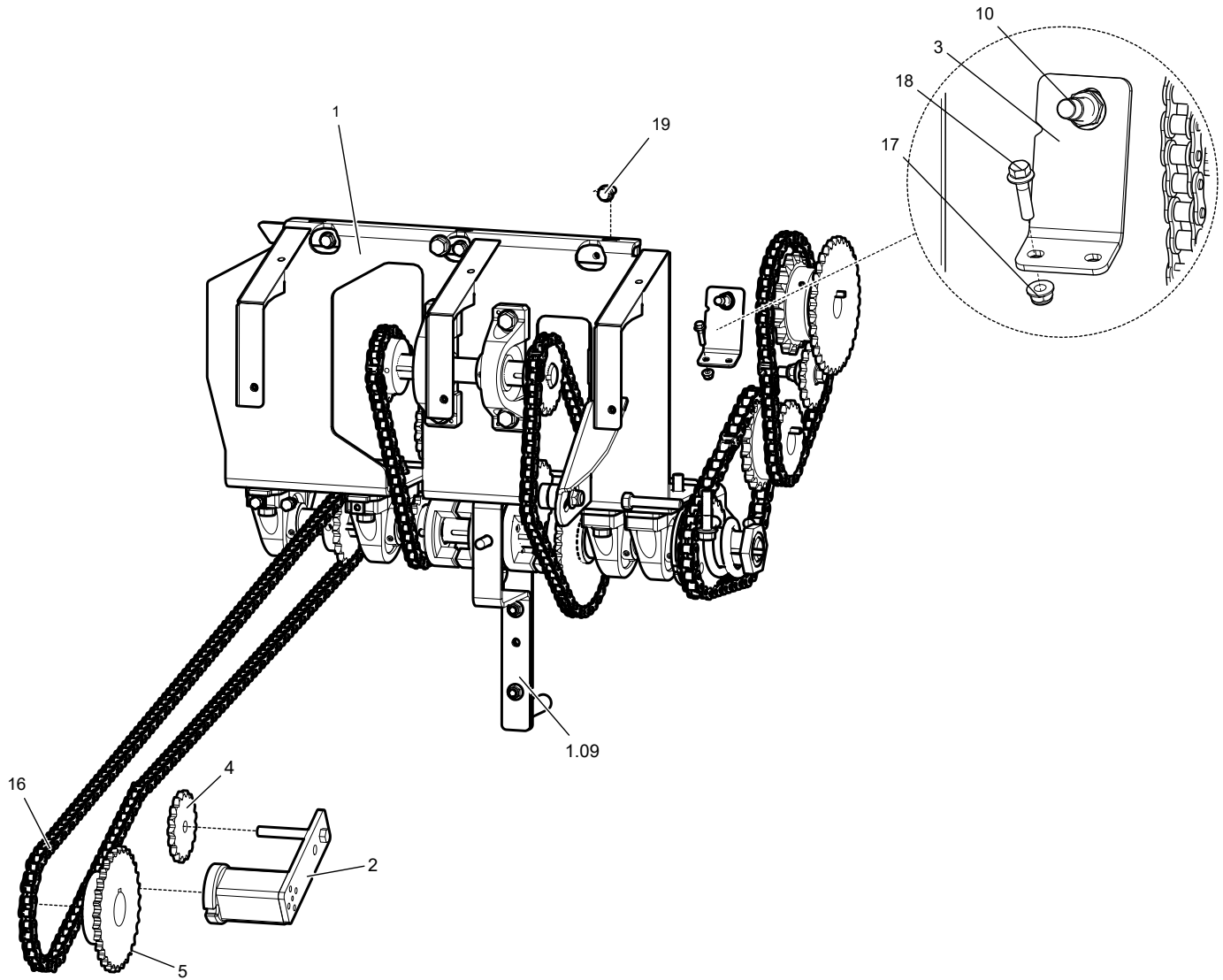
Cement Bin Breather Vent



<i>Item</i>	<i>Description</i>	<i>Part Number</i>	<i>Qty</i>
1	BREATHER VENT BUNG	2542-278-04	1
2	GASKET	2542-046-02	1
3	CAP VENT	5257-016	1
4	BOLT	5309-210-000	6

Cement Bin Drive: Mechanical Cement Bin

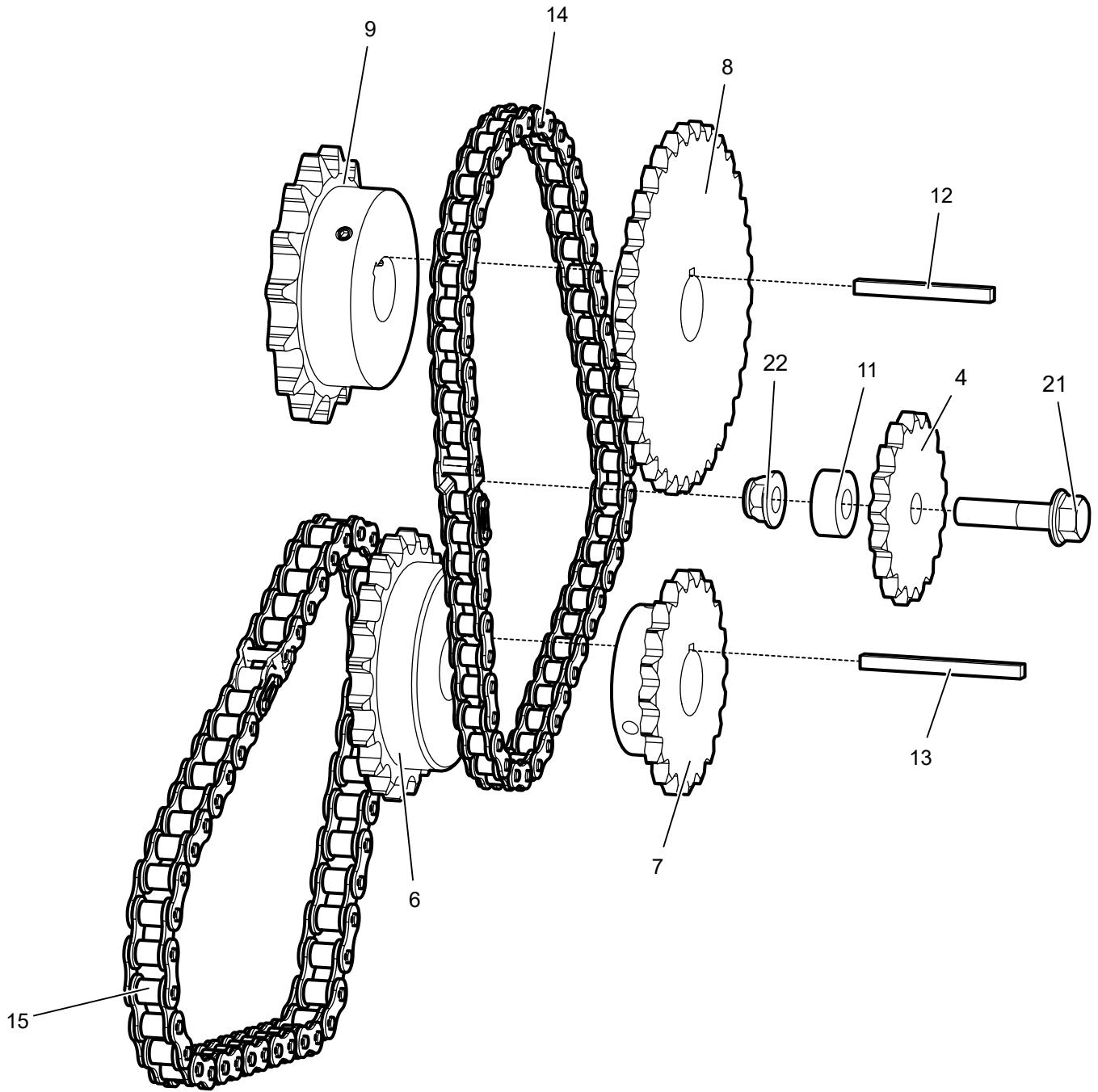
Cement Bin



Cement Bin Drive: Mechanical Cement Bin

Item	Description	Part Number	Qty
1	SUB-ASSY CBIN DRIVE	2603-404-01	1
2	TENSIONER	5813-003	1
3	CEMENT BIN PROX SW BRKT	2603-090-06	1
4	IDLER SPROCKET	5174-817A	2
5	SPROCKET	5174-231-001	1
10	PROX SW	5526-110010	1
16	CONVEYOR CHAIN	2603-016-03	1
17	FLANGE LOCK NUT	5307-020-000	2
18	BOLT	5309-008-000	2
19	BOLT	5309-208-000	6
1.09	DOG CLUTCH HANDLE	2603-106-00	1

Cement Bin Drive: Mechanical Cement Bin

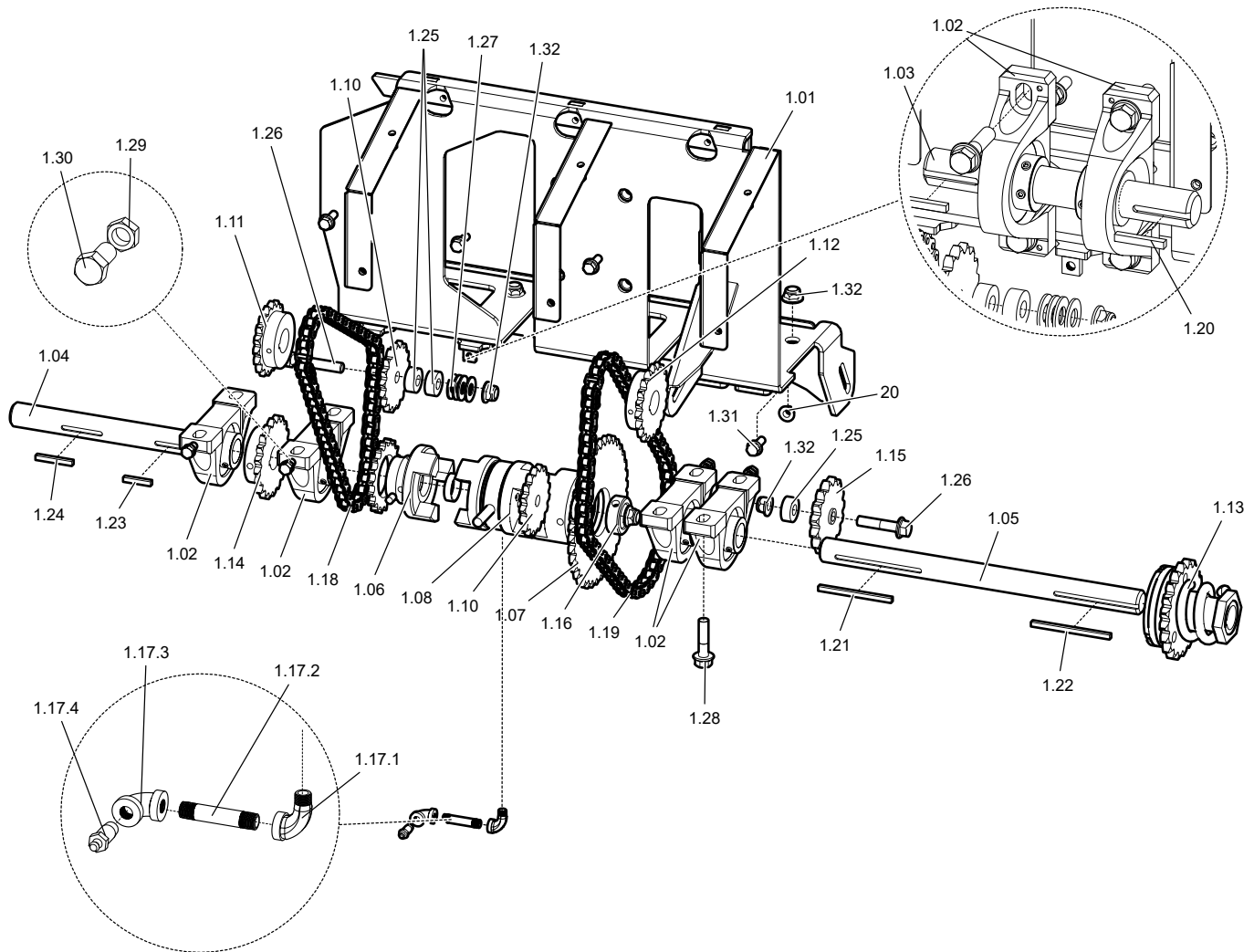


Cement Bin Drive: Mechanical Cement Bin

Item	Description	Part Number	Qty
4	IDLER SPROCKET	5174-817A	2
6	SPROCKET	5175-220	1
7	SPROCKET	5174-220B	1
8	SPROCKET	5174-234	1
9	SPROCKET	5176-215	1
11	IDLER SPACER	GPCS100 0215	1
12	KEY STOCK	5375-002-00275	1
13	KEY STOCK	5375-002-00325	1
14	UPPER AUGER CHAIN	2603-017-07	1
15	LOWER AUGER CHAIN	2603-017-03	1
21	BOLT	5309-416-000	1
22	FLANGE LOCK NUT	5307-413-000	1

Cement Bin Drive: Mechanical Cement Bin

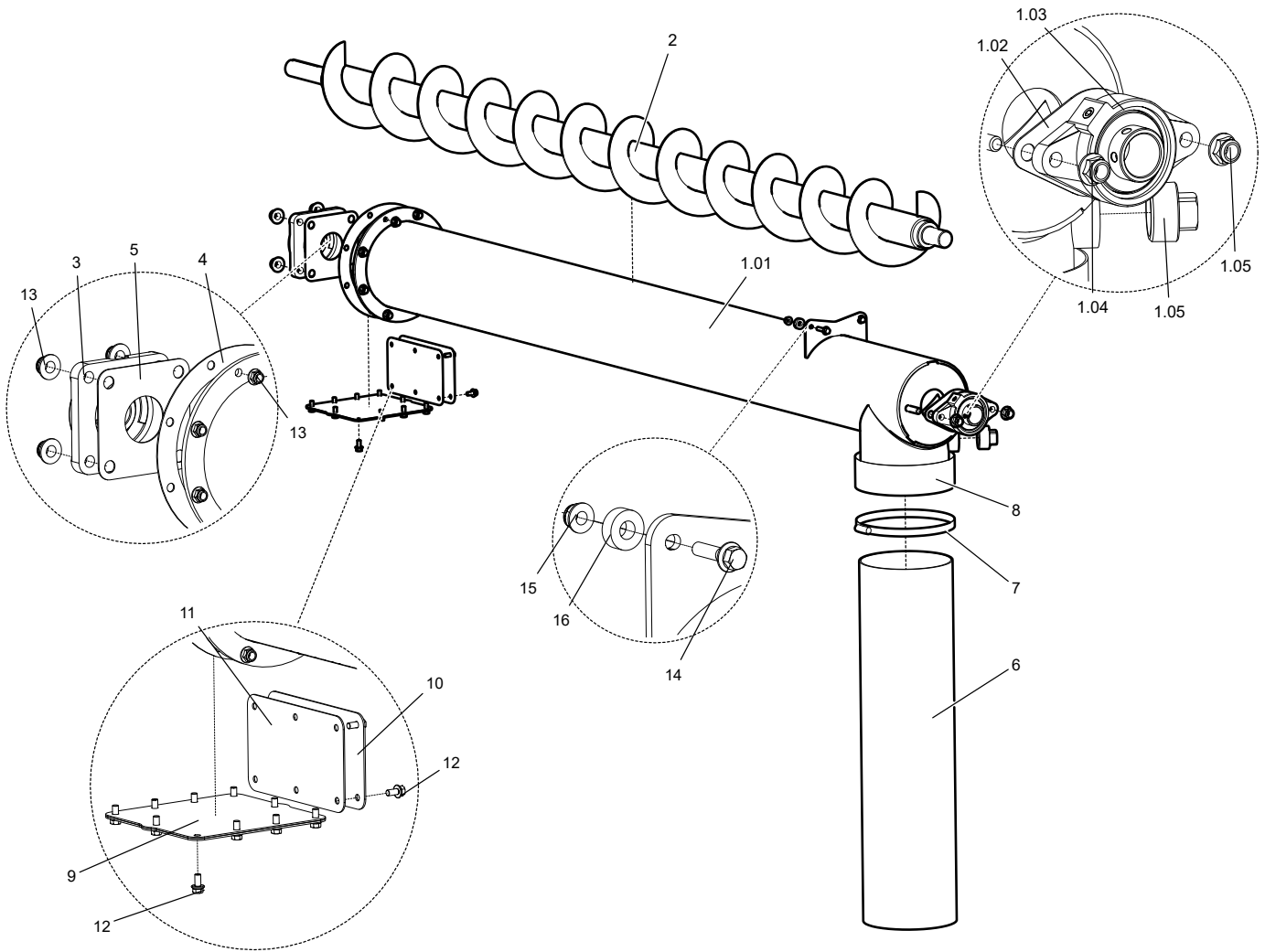
Cement Bin



Cement Bin Drive: Mechanical Cement Bin

Item	Description	Part Number	Qty
1.01	CBIN DRIVE BEARING MOUNT	2603-283-01	1
1.02	BEARING	5152-120-001	6
1.03	SHAFT	1759-006	1
1.04	DRIVE SHAFT, INSIDE	2542-062-00	1
1.05	DRIVE SHAFT, OUTSIDE	2542-033-02	1
1.06	SHIFT COLLAR	1534-201-00	1
1.07	CLUTCH SPROCKET	1534-202-00	1
1.08	DRIVE JAW	1534-203-00	1
1.10	IDLER SPROCKET	5174-817A	2
1.11	SPROCKET	5174-218A	1
1.12	SPROCKET	5174-219	1
1.13	SLIP CLUTCH	2542-410-01	1
1.14	SPROCKET	5174-220B	1
1.15	IDLER SPROCKET	5175-815	1
1.16	SET COLLAR	5810-020	2
1.17	CLUTCH GREASE ASSY	2603-418-00	1
1.17.1	ELBOW 90, GALV	5003-100.10	1
1.17.2	NIPPLE, GALV	5050-040.10	1
1.17.3	ELBOW 90, GALV	5001-100-001	1
1.17.4	GREASE FITTING	5372-009	1
1.18	DRIVE CHAIN	2603-046-03	1
1.19	DRIVE CHAIN	2603-007-03	1
1.20	KEY STOCK	5375-002-00175	2
1.21	KEY STOCK	5375-002-00425	1
1.22	KEY STOCK	5375-002-00431	1
1.23	KEY STOCK	5375-002-00150	1
1.24	KEY STOCK	5375-002-00200	1
1.25	IDLER SPACER	GPCS100 0215	5
1.26	BOLT	5315-422	2
1.27	FLAT WASHER	5310-400	7
1.28	BOLT	5309-416-000	12
1.29	BOLT	5315-206	4
1.30	JAM NUT	5304-216	4
1.31	BOLT	5309-418-000	1
1.32	FLANGE LOCK NUT	5307-413-000	15
20	FLANGE LOCK NUT	5307-216-000	3

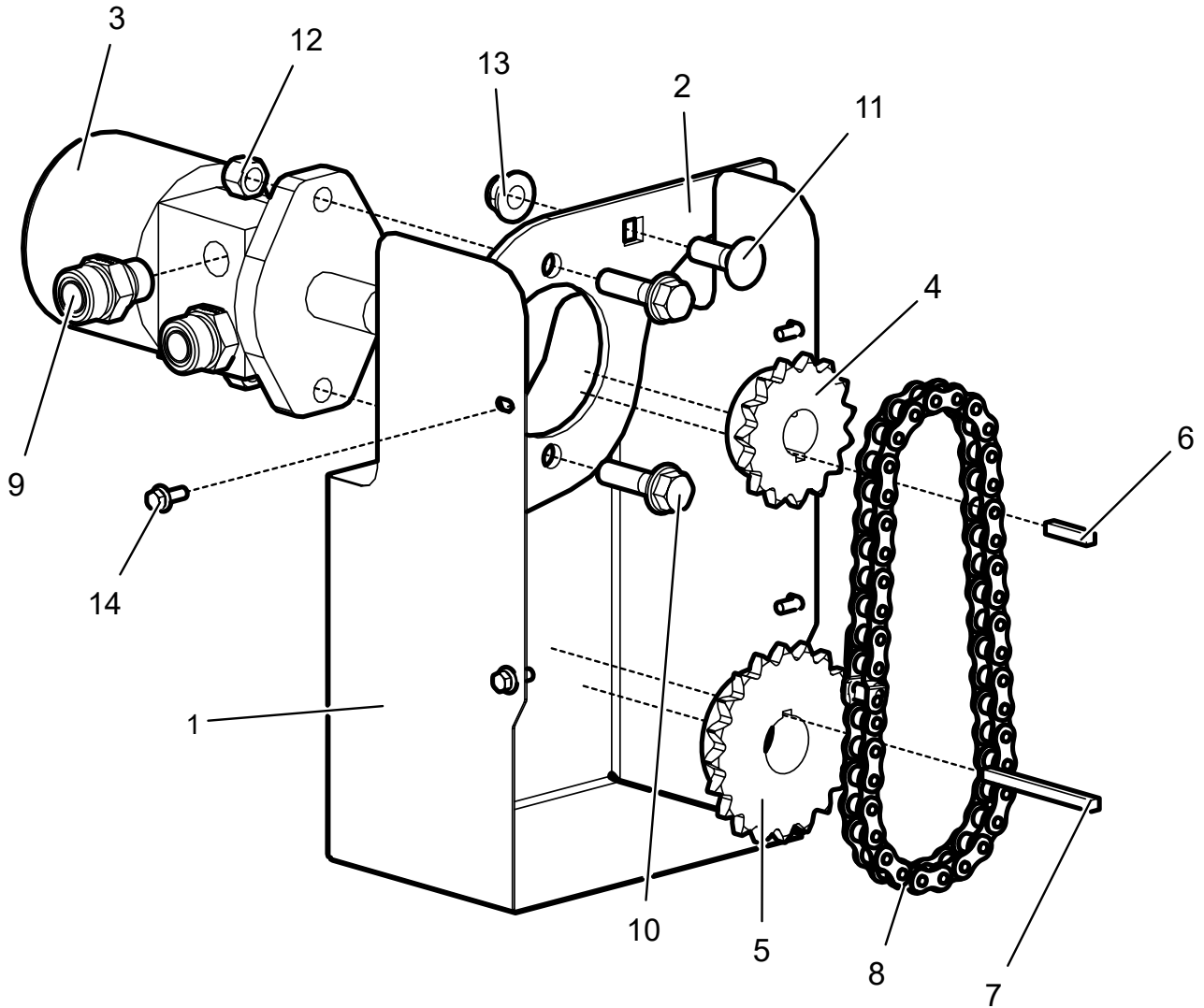
Transfer Auger Housing



Item	Description	Part Number	Qty
1	T-AUG HOUSING ASSY	2603-419-00	1
1.01	T-AUG TUBE	2603-257-00	1
1.02	GASKET	2542-043-02	1
1.03	BEARING	5151-620-002	1
1.04	FLANGE LOCK NUT	5307-314-000	2
1.05	PLUG	5005-160	1
2	T-AUG TUBE WELDMENT	2603-258-00	1
3	BEARING	5151-120	1
4	GASKET	2603-047-02	1
5	GASKET	2542-008-02	1
6	SLEEVE	5403-006.63	1
7	CLAMP	5370-100	1
8	SEAL	2076-067-00	1
9	GASKET	2603-049-02	1
10	COVER	2603-048-02	1
11	COVER	2603-050-02	1
12	GASKET	2603-051-02	1
13	BOLT	5309-004-000	16
14	FLANGE LOCK NUT	5307-413-000	4
15	FLANGE LOCK NUT	5307-118-000	8
16	BOLT	5309-008-000	2
17	FLANGE LOCK NUT	5307-020-000	2
18	FLAT WASHER, RUBBER	5310-003	2

Transfer Auger Drive: Mechanical Cement Bin

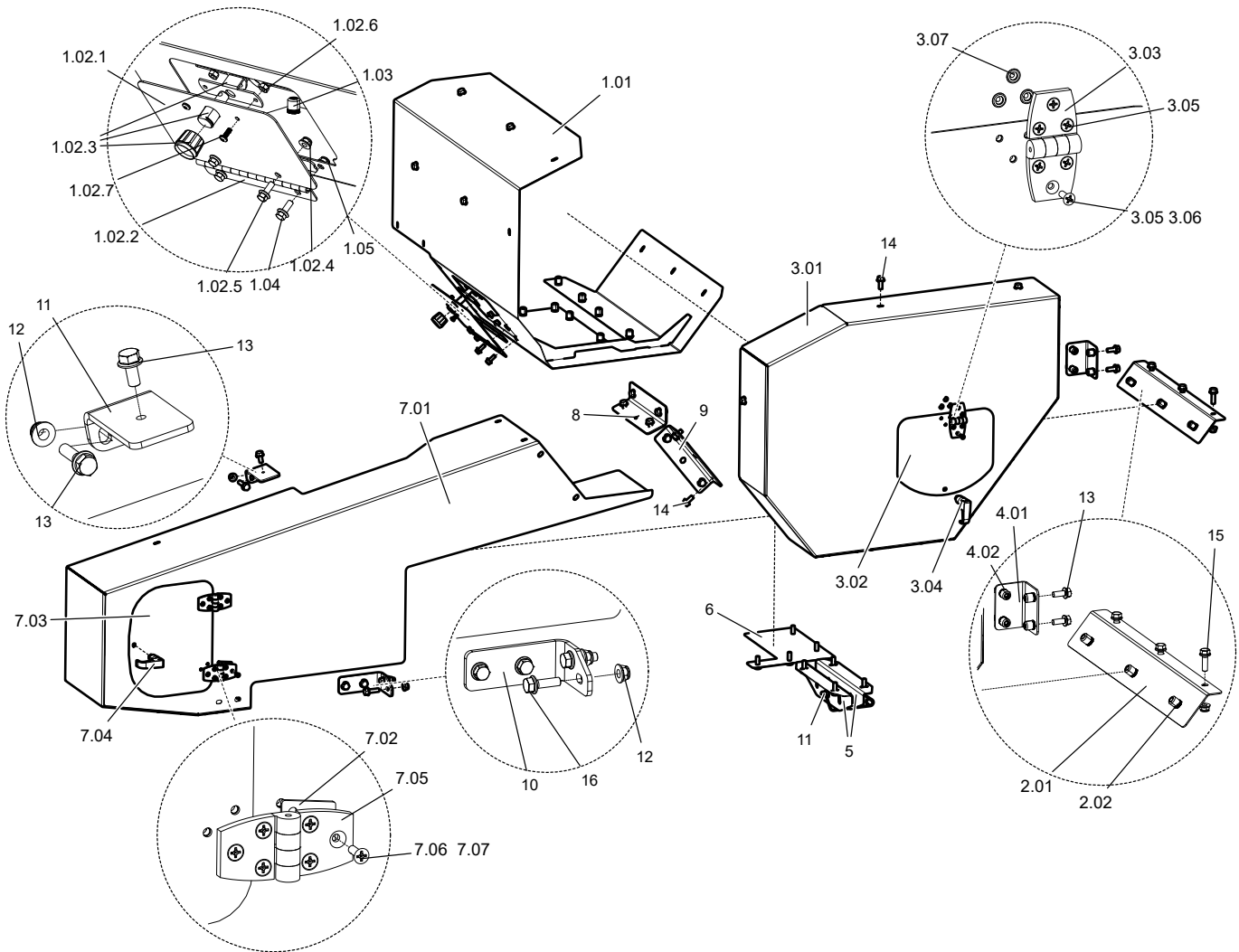
Cement Bin



Transfer Auger Drive: Mechanical Cement Bin

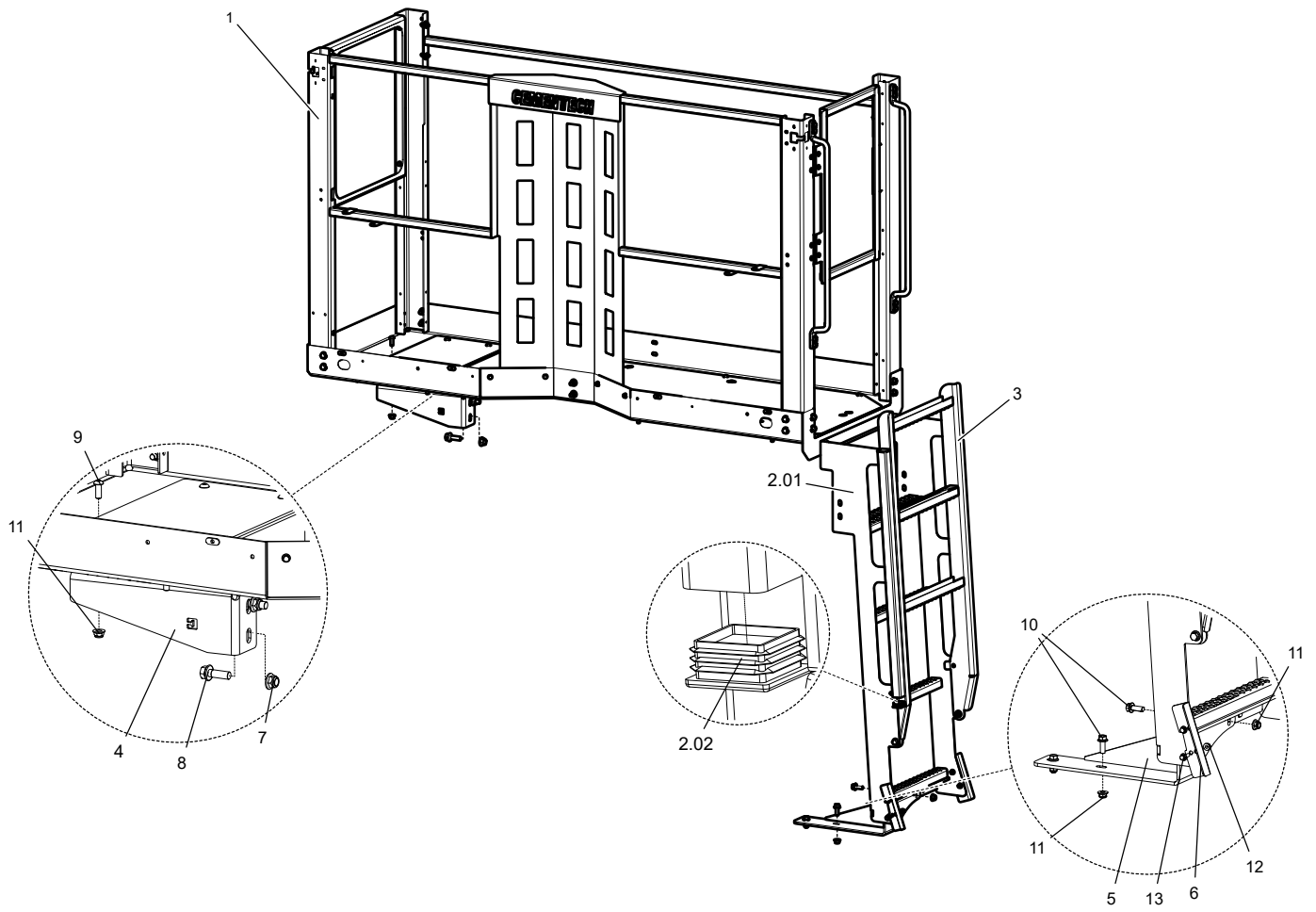
Item	Description	Part Number	Qty
1	T-AUG DRIVE COVER	2603-292-00	1
2	ADJUSTABLE MOTOR MOUNT	2603-093-00	1
3	MOTOR	5233-353	1
4	SPROCKET	5174-215B	1
5	SPROCKET	5174-220B	1
6	KEY STOCK	5375-002-00125	1
7	KEY STOCK	5375-002-00331	1
8	DRIVE CHAIN	2603-063-03	1
9	HYDRAULIC CONNECTOR	5223-005-001	2
10	BOLT	5309-414-000	2
11	CARRIAGE BOLT	5325-412-000	2
12	LOCK NUT	5302-413	2
13	FLANGE LOCK NUT	5307-413-000	2
14	BOLT	5309-005-000	4

Drive Shields: Mechanical Cement Bin



Drive Shields: Mechanical Cement Bin

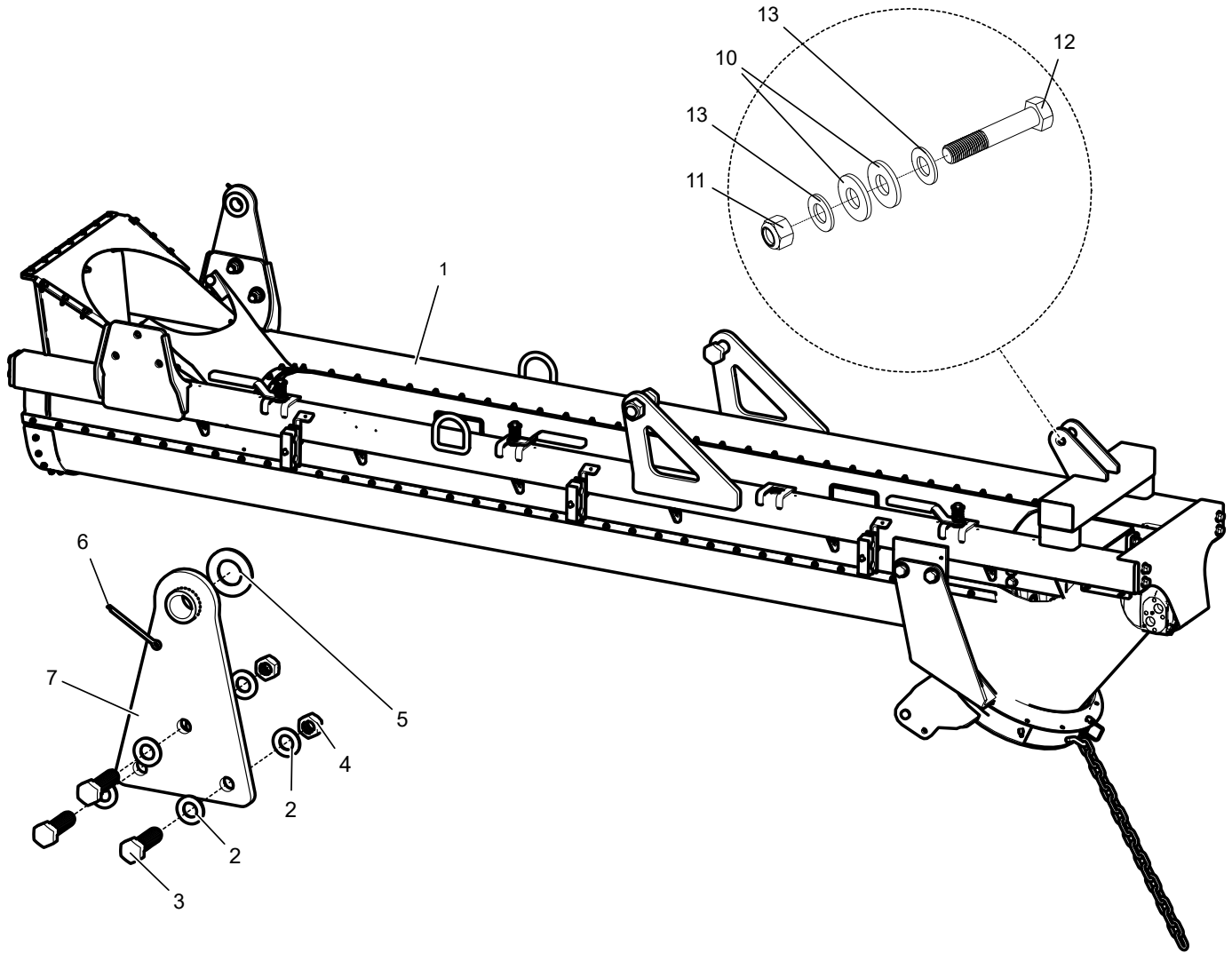
Item	Description	Part Number	Qty
1	CBIN DRIVE WRAP COVER	2603-402-01	1
1.01	CBIN DRIVE SHIELD WRAP	2603-282-01	1
1.02	CBIN DRIVE GREASE DOOR ASSY	2542-433-01	1
1.02.1	CBIN DRIVE GREASE DOOR	2542-210-03	1
1.02.2	SHIELDING HINGE	1565-062-02	1
1.02.3	SPRING LATCH	5370-031-000	1
1.02.4	FLANGE LOCK NUT	5370-020-000	2
1.02.5	BOLT	5309-005-000	2
1.02.6	LOCK NUT	5337-33201	2
1.02.7	SCREW	5335-320	2
1.03	RIVET NUT INSERT	5300-020-206	8
1.04	BOLT	5309-005-000	2
1.05	FLANGE LOCK NUT	5307-020-000	2
2	SHIELD WRAP MOUNT ASSY	2603-403-01	1
2.01	SHIELD WRAP MOUNT	2603-003-07	1
2.02	RIVE NUT	5300-020-206	3
3	CBIN DRIVE SHIELD ASSY	2603-401-01	1
3.01	CBIN DRIVE SHIELD	2603-281-01	1
3.02	BREAKER BAR SLIP COVER	2603-018-04	1
3.03	NYLON HINGE	5141-015-000	1
3.04	LATCH	5370-033-000	1
3.05	SCREW	5335-212-002	6
3.06	LOCK NUT	5337-101-001	3
3.07	RIVET NUT	5300-020-202	3
4	CBIN DRIVE SHIELD BRACKET ASSY	2603-405-01	1
4.01	CBIN DRIVE SHIELD BRACKET	2603-004-07	1
4.02	RIVET NUT	5300-020-206	4
5	CLUTCH HANDLE PIN MOUNT	2603-009-07	2
6	WRAP BOTTOM COVER	2603-008-07	1
7	CBIN DRIVE SHIELD EXT ASSY	2603-441-01	1
7.01	CBIN DRIVE SHIELD EXT	2603-218-02	1
7.02	HINGE SPACER	2542-051-10	2
7.03	DRIVE SHIELD ACCESS COVER	2603-058-05	1
7.04	LATCH	5370-033-000	1
7.05	NYLON HINGE	5141-015-000	2
7.06	SCREW	5335-212-002	12
7.07	LOCK NUT	5337-101-001	12
8	MOUNT, CBIN DRIVE COVER	2603-016-07	1
9	MOUNT, CBIN DRIVE COVER, SIDE	2603-011-07	1
10	BRACKET, CONVEYOR DRIVE	2603-010-07	1
11	MOUNT, CBIN DRIVE SHIELD	2603-012-07	1
12	SNAP PIN	5377-660-000	1
13	FLANGE LOCK NUT	5307-118-000	7
14	BOLT	5309-105-000	11
15	BOLT	5309-106-000	22
16	BOLT	5309-110-000	2
17	BOLT	5309-108-000	5



Item	Description	Part Number	Qty
1	WORK PLATFORM ASSY	2603-149-00	1
2	PLATFORM LADDER ASSY	2603-486-02	1
2.01	PLATFORM LADDER, UPPER	2603-287-03	1
2.02	PLASTIC CAP	5518-302-000	4
3	PLATFORM LADDER, LOWER	2603-288-03	1
4	PLATFORM BRACE	2603-240-02	1
5	LADDER FRAME MOUNT	2603-290-03	1
6	FLIP UP LADDER STOP	2603-028-05	2
7	FLANGE LOCK NUT	5307-413-000	2
8	BOLT	5309-412-000	2
9	BOLT	5326-208-000	7
10	BOLT	5309-208-000	8
11	FLANGE LOCK NUT	5307-216-000	9
12	FLANGE LOCK NUT	5307-020-000	4
13	BOLT	5309-006-000	4
14	FLAT WASHER	5310-201-000	4

Mixer Install: 360 Swivel Chute

Mixer



Item	Description	Part Number	Qty
1	MIXER ASSY	2603-113-00	1
2	WASHER	5310-602-000	12
3	BOLT	5315-720B	6
4	LOCK NUT	5302-712-000	6
5	WASHER	5310-900-001	2
6	COTTER PIN	5377-114	2
7	MIXER EAR	2542-255-01	2
10	WASHER	1521-055-00	2
11	LOCK NUT	5302-808	1
12	BOLT	5315-844-002	1
13	FLAT WASHER	5310-800-002	2

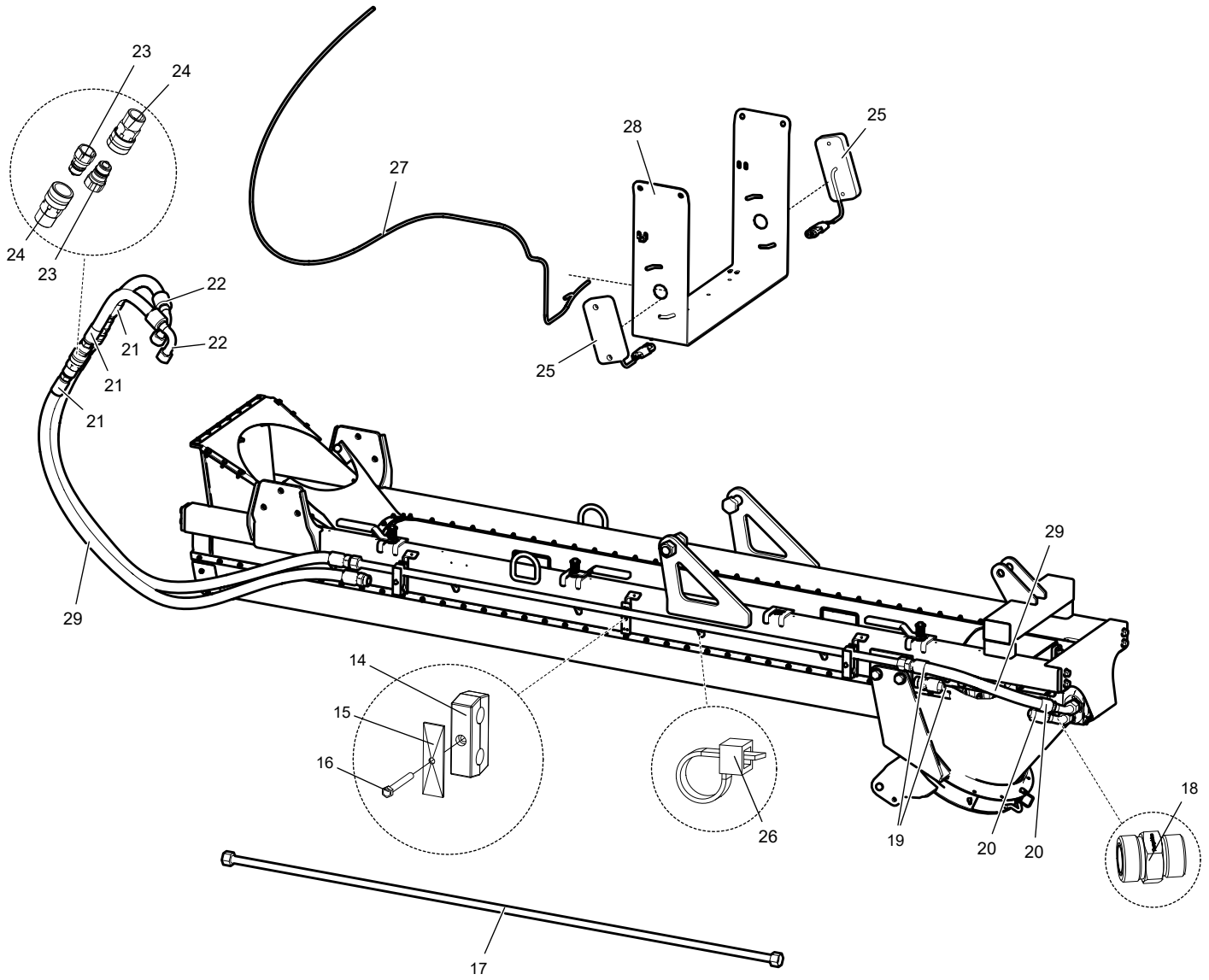
Install Kit			
IK1	MIXER, 360 SWIVEL CHUTE	2603-318-01	1
IK2	MIXER HEAT SHIELD, W/SAFETY SWITCH ¹	2603-378-00	1

¹ Required along with Mixer Install Kit.

Continued on next page

Mixer Install: 360 Swivel Chute

Mixer



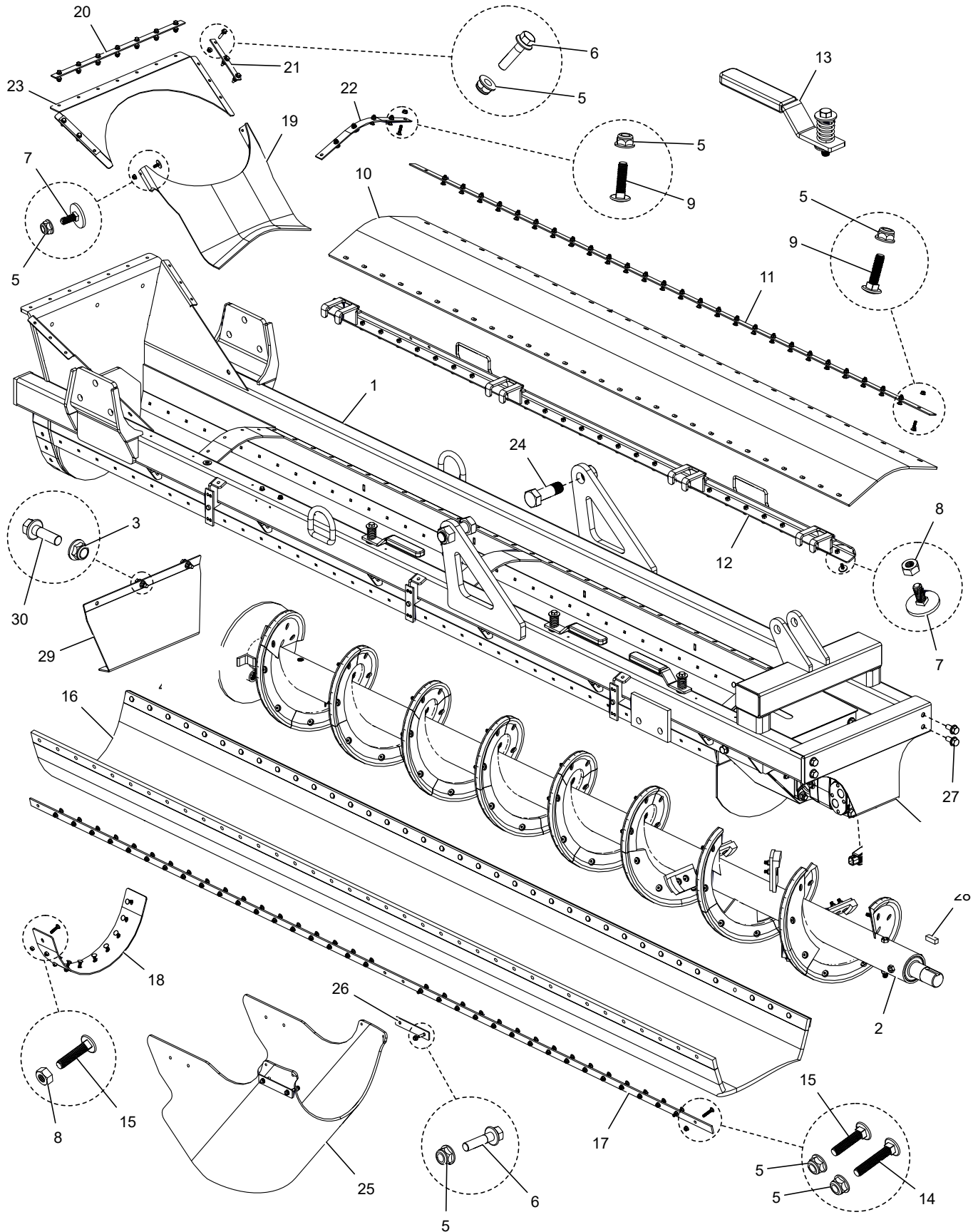
Item	Description	Part Number	Qty
14	CLAMP BODY	5370-425.01	3
15	COVER PLATE	5370-425.05	3
16	CLAMP BOLT	5370-425.07	3
17	HYDRAULIC TUBE ASSY	5221-016-000	2
18	HYDRAULIC CONNECTOR	5223-053-000	2
19	HYDRAULIC HOSE COUPLING STR	5223-816-004	4
20	HYDRAULIC HOSE COUPLING 45 ELBOW	5223-816-001	2
21	HYDRAULIC HOSE COUPLING STR	5223-816-204	4
22	HYDRAULIC HOSE COUPLING 90 ELBOW	5223-816-002	2
23	HYDRAULIC QUICK COUPLER	5226-01601	2
24	HYDRAULIC QUICK COUPLER	5226-016-000	2
25	CLEARANCE LIGHT, 24V	2552-332-00	2
26	WIRE TIE	5532-108	3
27	WIRELOOM EXTENSION	2552-532-17	1
28	MIXER MARKET LIGHT BRACKET	2581-067-02	1
29	HYDRAULIC HOSE	5220-216	14.60'
30	MIXER HOSE SLEEVE	5224-5200-16	18.00'

Install Kit			
IK1	MIXER, 360 SWIVEL CHUTE	2603-318-01	1
IK2	MIXER HEAT SHIELD, W/SAFETY SWITCH ¹	2603-378-00	1

¹ Required along with Mixer Install Kit. Select only one.

Mixer Assembly: 360 Swivel Chute

Mixer



Mixer Assembly: 360 Swivel Chute

Item	Description	Part Number	Qty
1	MIXER FRAME	2542-213-03	1
2	MIXER AUGER ⁴	1604-250-01	1
3	FLANGE LOCK NUT	5307-216-000	3
5	FLANGE LOCK NUT ^{1,2,3}	5307-020-000	125
6	FLANGE BOLT ¹	5309-008-000	17
7	ELEVATOR BOLT ¹	5350-006	30
8	NUT ¹	5300-020	40
9	CARRIAGE BOLT ¹	5325-008	34
10	TOP BOOT ¹	2542-083-03	1
11	RETAINER	2542-082-03	1
12	LATCH RAIL	2542-207-01	1
13	LATCH	2542-406-00	4
14	CARRIAGE BOLT, LONG ^{2,3}	5325-012	8
15	CARRIAGE BOLT, SHORT ²	5325-010	76
16	BOTTOM BOOT ²	1752-063-00	1
17	RETAINER	1731-006-00	2
18	RETAINER	2542-019-04	1
19	HOPPER GUARD, BTM	1752-015-00	1
20	RETAINER	1548-005	1
21	RETAINER	1548-006	2
22	RETAINER	1752-020-00	1
23	HOPPER GUARD, TOP	2542-089-03	1
24	BOLT	2050-014-04	2
25	DISCHARGE BOOT ³	2542-053-05	1
26	RETAINER ³	1731-045-00	2
27	FLANGE BOLT ²³	5309-008-000	8
28	KEYSTOCK	5375-005-00150	1
29	DEFLECTOR	1752-008-02	1
30	FLANGE BOLT	5309-210-000	3
31	SHIELD	2542-033-08	1

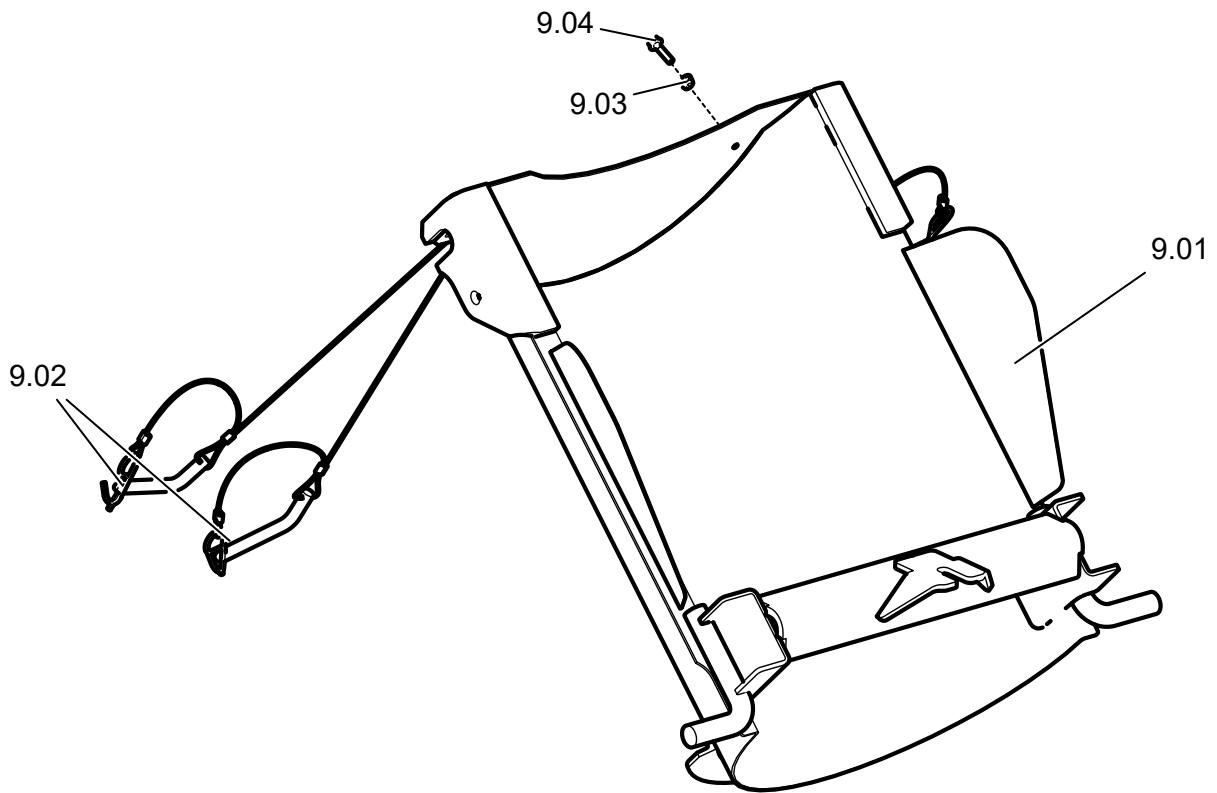
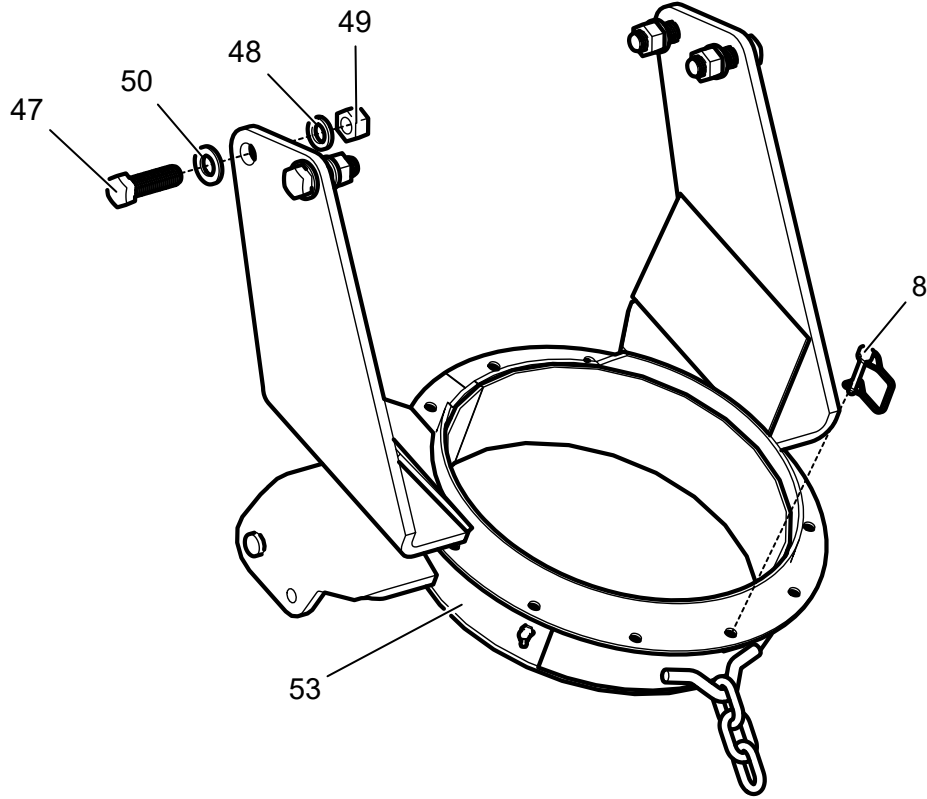
⁴ see Mixer Auger, Idler End, and Drive End on page 68 for components

REPLACEMENT KITS			
Item	Description	Part Number	QTY
RK1	TOP BOOT REPLACEMENT KIT ¹	2542-902-00	1
RK2	BOTTOM BOOT REPLACEMENT KIT ²	2542-903-00	1
RK3	DISCHARGE BOOT REPLACEMENT KIT ³	2542-911-00	1
RK4	MOTOR SEAL KIT	5233-700-001	1

^{NOTE} Number denotes part included with kit

Mixer Discharge Chute: 360 Swivel Chute

Mixer

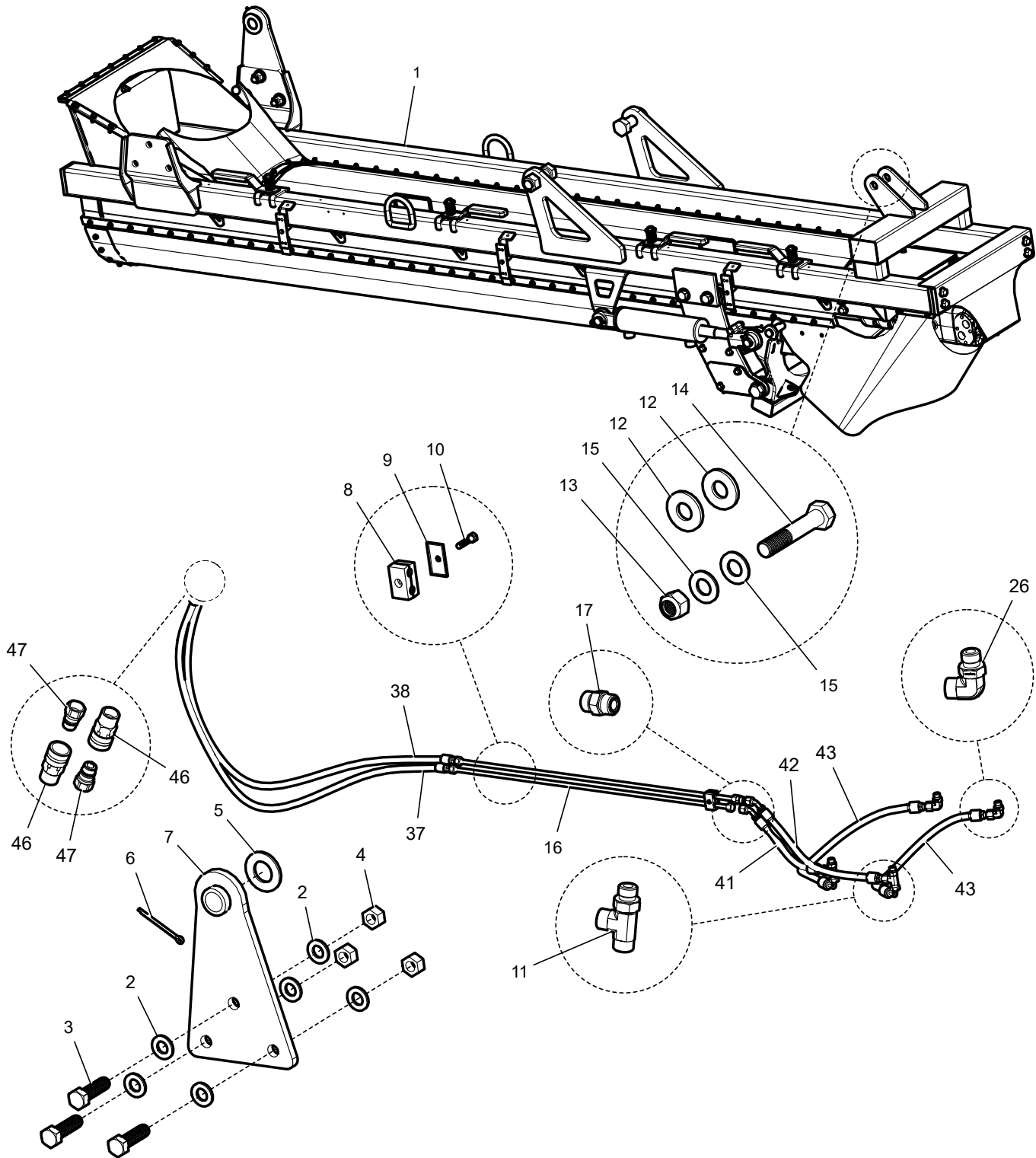


Mixer Discharge Chute: 360 Swivel Chute

Item	Description	Part Number	Qty
8	SNAP PIN	5377-654	1
9	12" CHUTE & PIN ASSY	1521-404-00	1
9.01	12" CHUTE	1521-277-00	1
9.02	CHUTE PIN	1527-403-00	4
9.03	FLANGE LOCK NUT	5307-020-000	2
9.04	BOLT	5309-008-000	2
47	BOLT	5315-720B	4
48	LOCK WASHER	5305-700	4
49	NUT	5300-710B	4
50	FLAT WASHER	5310-602-000	4
53	SWIVEL CHUTE WELDMENT	2542-214-01	1

Mixer Install: Dual Cylinder Chute Lift

Mixer



Mixer Install: Dual Cylinder Chute Lift

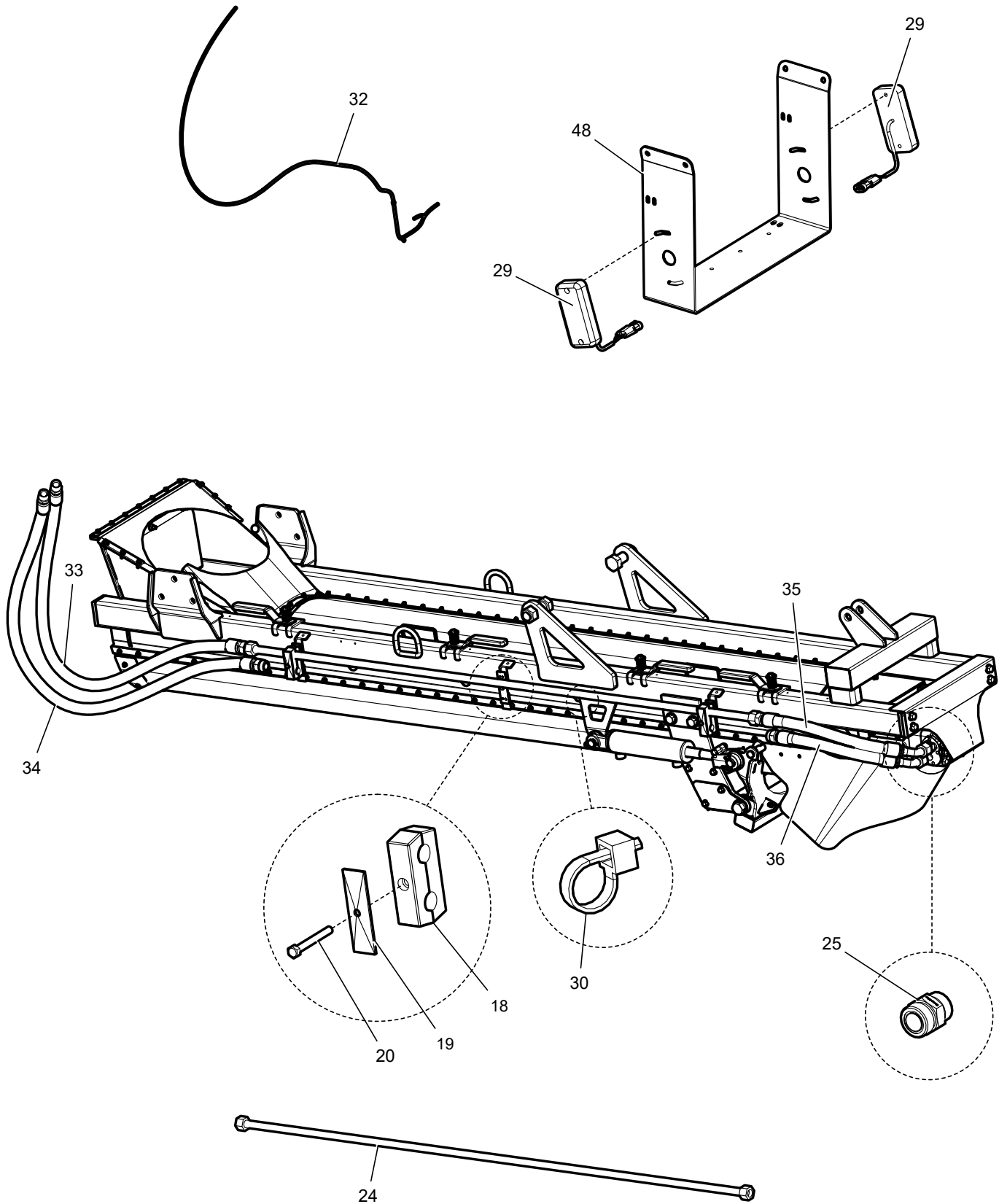
Item	Description	Part Number	Qty
1	MIXER ASSY	2603-126-00	1
2	WASHER	5310-602-000	12
3	BOLT	5315-720B	6
4	LOCK NUT	5302-712-000	6
5	WASHER	5310-900-001	2
6	COTTER PIN	5377-114	2
7	MIXER EAR	2542-255-01	2
8	CLAMP	5370-403-001	2
9	PLATE	5370-403-002	2
10	BOLT	5370-403-003	2
11	TEE	5223-066-000	2
12	WASHER	1521-055	2
13	LOCK NUT	5302-808	1
14	BOLT	5315-844-002	1
15	WASHER	5310-800-002	2
16	HYD TUBE	5221-024-000	2
17	UNION	5223-099-001	2
26	CONNECTOR	5223-808-005	2
37	HOSE, F DISCONNECT -> BTM TUBE	2603-538-01	1
38	HOSE, M DISCONNECT -> TOP TUBE	2603-537-01	1
41	HOSE, BTM TUBE -> CYL EXTEND	2603-530-01	1
42	HOSE, TOP TUBE -> CYL RETRACT	2603-529-01	1
43	HOSE, LH SIDE CYL -> RH SIDE CYL	2603-531-01	2
46	QUICK DISCONNECT, FEMALE	5226-008	2
47	QUICK DISCONNECT, MALE	5226-00801	2

Install Kit			
IK1	MIXER, DUAL CYLINDER CHUTE LIFT	2603-355-02	1
IK2	MIXER HEAT SHIELD, W/SAFETY SWITCH ¹	2603-378-00	1

¹Required along with Mixer Install Kit. Select only one.

Continued on next page

Mixer Install: Dual Cylinder Chute Lift



Mixer Install: Dual Cylinder Chute Lift

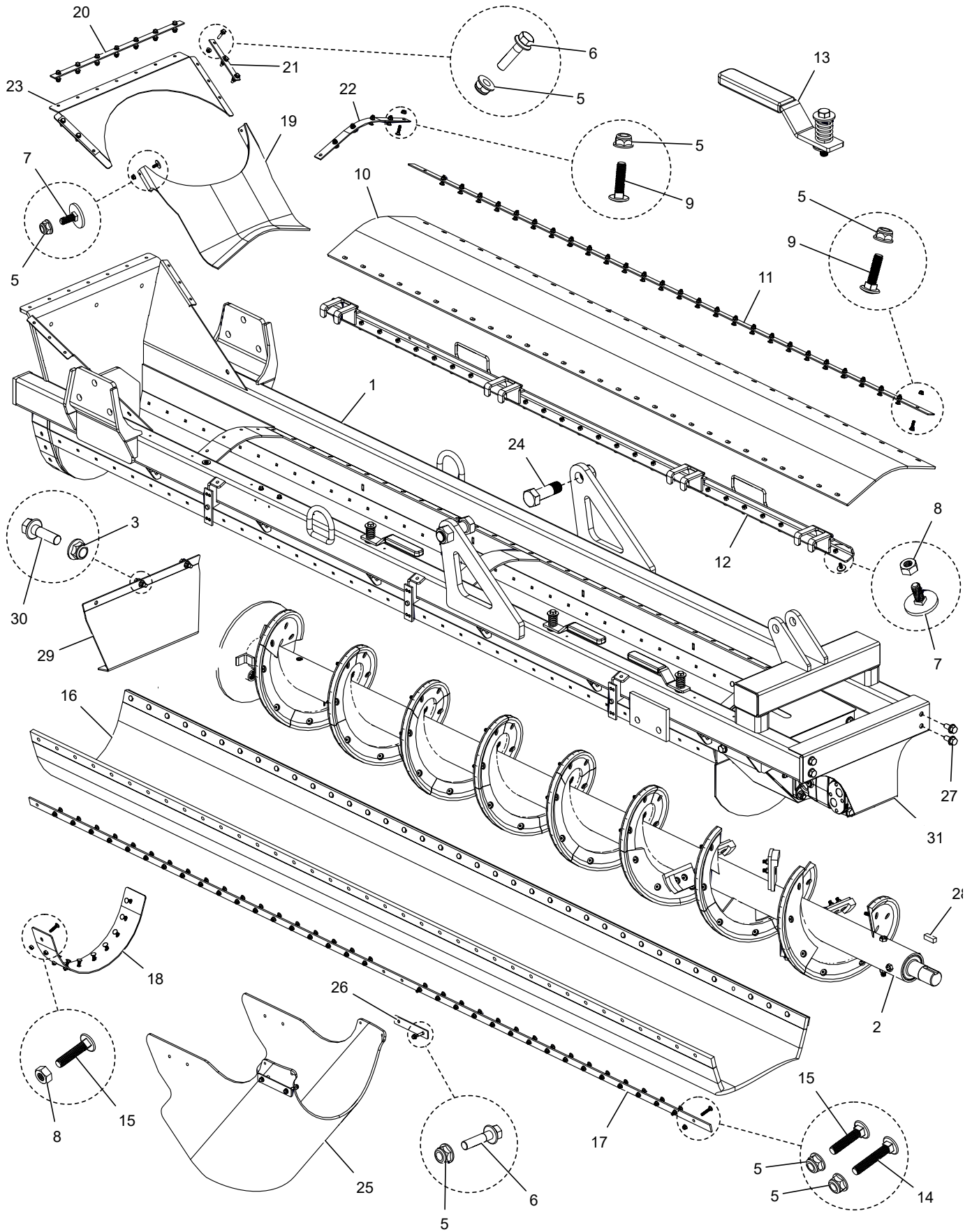
Item	Description	Part Number	Qty
18	CLAMP	5370-425.01	3
19	PLATE	5370-425.05	3
20	BOLT	5370-425.07	3
24	HYD TUBE	5221-016-000	2
25	CONNECTOR	5223-053-000	2
29	CLEARANCE LIGHTS, 24V	2552-332-00	2
30	WIRE TIE	5532-108	6
32	WIRELOOM, LIGHTS	2552-532-17	1
33	HOSE, MIXER VLV B -> TOP TUBE	2603-533-01	1
34	HOSE, MIXER VLV A -> BTM TUBE	2603-534-01	1
35	HOSE, TOP TUBE -> PORT B	2603-527-01	1
36	HOSE, BTM TUBE -> PORT A	2603-528-01	1
48	MIXER MARKER LIGHT BRACKET	2581-067-02	1

INSTALL KIT			
IK1	MIXER, DUAL CYLINDER CHUTE LIFT	2603-355-02	1
IK2	MIXER HEAT SHIELD, W/SAFETY SWITCH ¹	2603-378-00	1

¹ Required along with Mixer Install Kit.

Mixer Assembly: Dual Cylinder Chute Lift

Mixer



Mixer Assembly: Dual Cylinder Chute Lift

Item	Description	Part Number	Qty
1	MIXER FRAME	2542-214-03	1
2	MIXER AUGER ⁴	1604-260-01	1
3	FLANGE LOCK NUT	5307-216-000	3
5	FLANGE LOCK NUT ^{1,2,3}	5307-020-000	125
6	FLANGE BOLT ¹	5309-008-000	17
7	ELEVATOR BOLT ¹	5350-006	30
8	NUT ¹	5300-020	40
9	CARRIAGE BOLT ¹	5325-008	34
10	TOP BOOT ¹	2542-083-03	1
11	RETAINER	2542-082-03	1
12	LATCH RAIL	2542-207-01	1
13	LATCH	2542-406-00	4
14	CARRIAGE BOLT, LONG ^{2,3}	5325-012	8
15	CARRIAGE BOLT, SHORT ²	5325-010	76
16	BOTTOM BOOT ²	1752-063-00	1
17	RETAINER	1731-006-00	2
18	RETAINER	2542-019-04	1
19	HOPPER GUARD, BTM	1752-015-00	1
20	RETAINER	1548-005	1
21	RETAINER	1548-006	2
22	RETAINER	1752-020-00	1
23	HOPPER GUARD, TOP	2542-089-03	1
24	BOLT	2050-014-04	2
25	DISCHARGE BOOT ³	2542-053-05	1
26	RETAINER ³	1731-045-00	2
27	FLANGE BOLT ²³	5309-008-000	8
28	KEYSTOCK	5375-005-00150	1
29	DEFLECTOR	1752-008-02	1
30	FLANGE BOLT	5309-210-000	3
31	SHIELD	2542-033-08	1

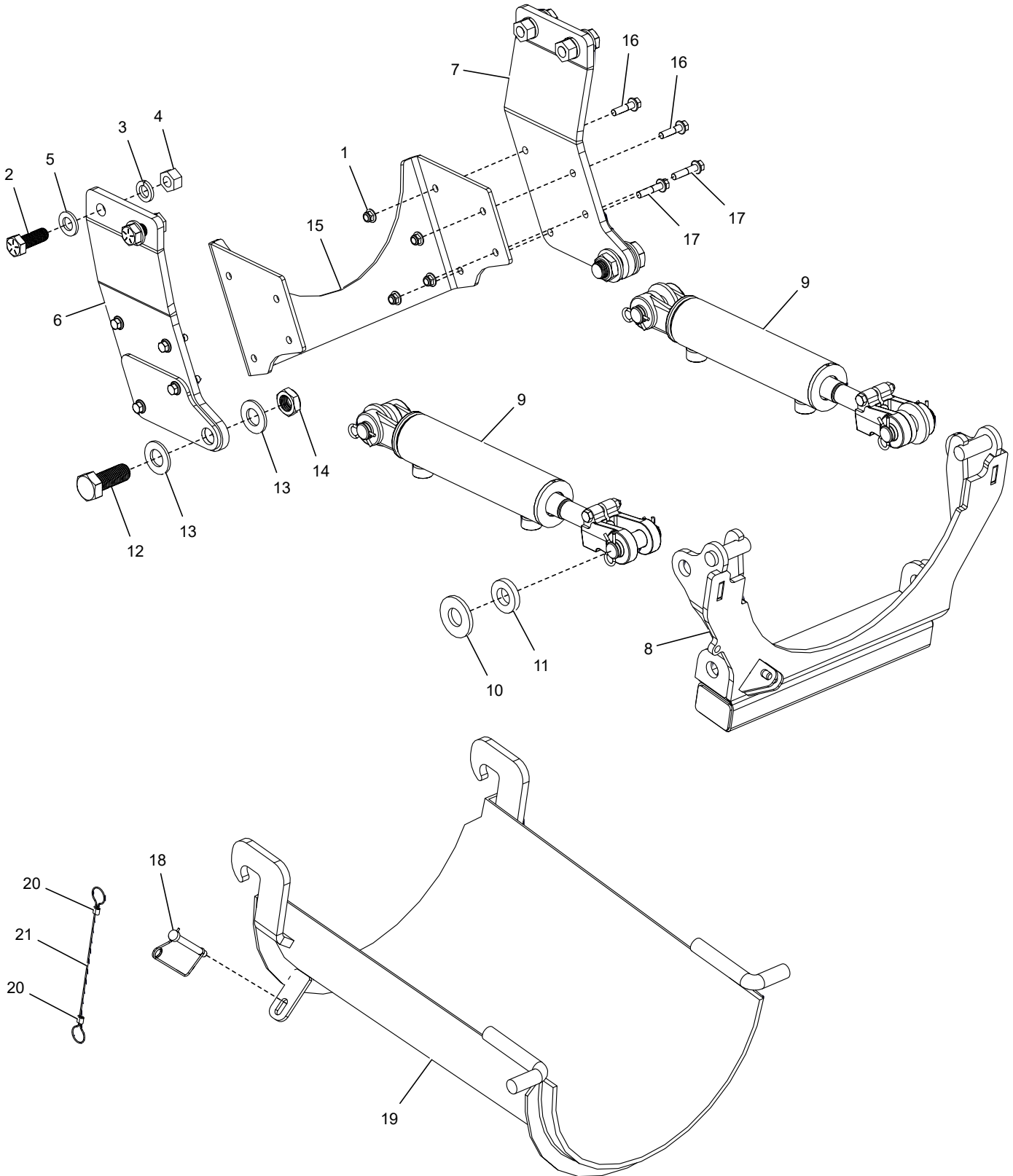
⁴ see Mixer Auger, Idler End, and Drive End on page 68 for components

REPLACEMENT KITS			
Item	Description	Part Number	QTY
RK1	TOP BOOT REPLACEMENT KIT ¹	2542-902-00	1
RK2	BOTTOM BOOT REPLACEMENT KIT ²	2542-903-00	1
RK3	DISCHARGE BOOT REPLACEMENT KIT ³	2542-911-00	1
RK4	MOTOR SEAL KIT	5233-700-001	1

^{NOTE} Number denotes part included with kit

Mixer Discharge Chute: Dual Cylinder Chute Lift

Mixer

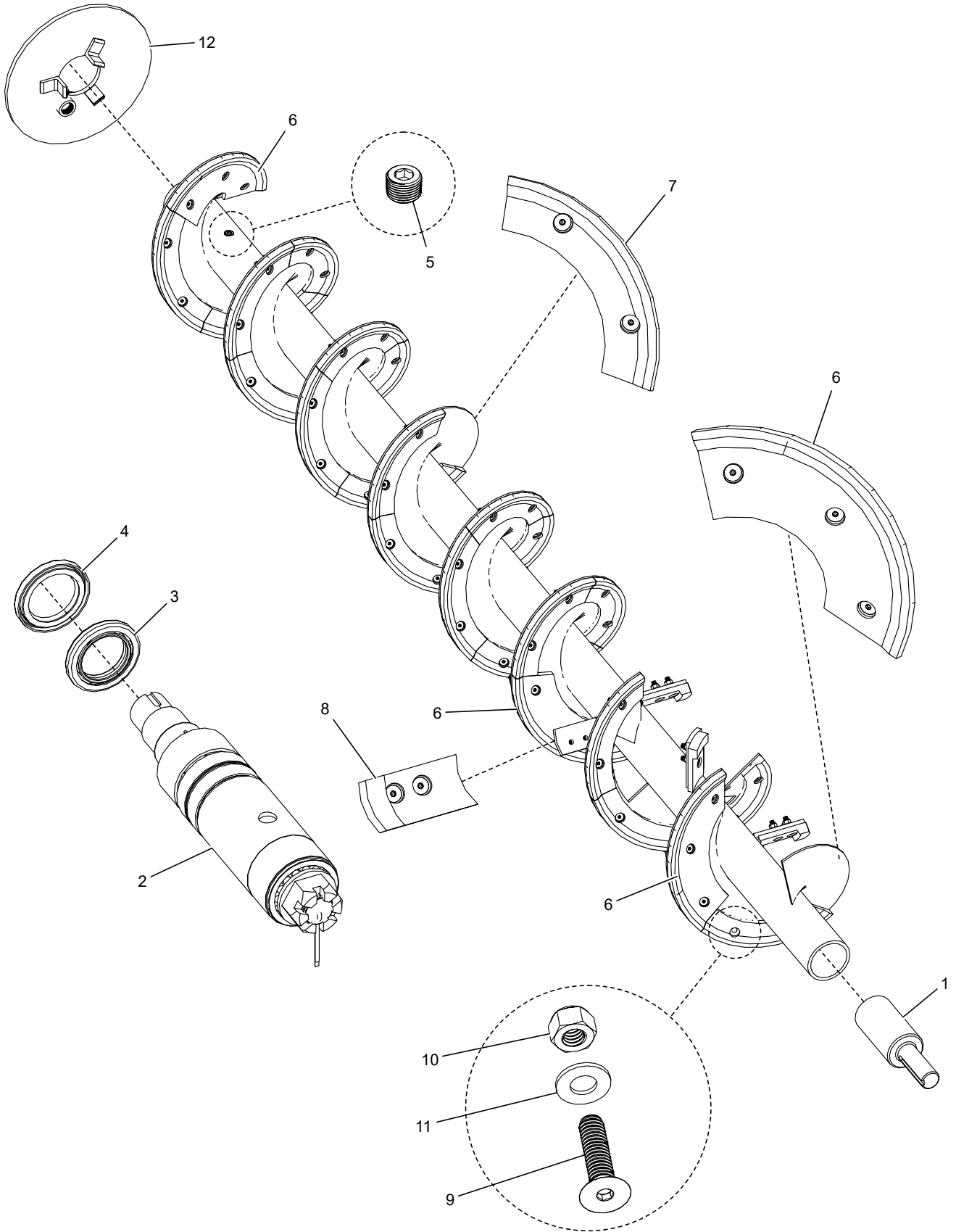


Mixer Discharge Chute: Dual Cylinder Chute Lift

Item	Description	Part Number	Qty
1	FLANGE LOCK NUT	5307-216-000	8
2	BOLT	5315-720B	4
3	LOCK WASHER	5305-700	4
4	NUT	5300-710B	4
5	WASHER	5310-602-000	4
6	EAR, RH	2542-282-01	1
7	EAR, LH	2542-283-01	1
8	CHUTE MOUNT	2542-209-01	1
9	CYLINDER	GPCS10927	2
10	CYL WASHER	1521-055	4
11	CYL SPACER	2542-097-03	4
12	BOLT	5315-820	2
13	WASHER	5310-800-002	4
14	NUT	5304-808-000	2
15	BRACE	2542-066-05	1
16	FLANGE BOLT	5309-212-000	4
17	FLANGE BOLT	5309-214-000	4
18	LOCK PIN	5377-660-000	1
19	CHUTE	2542-208-01	1
20	CABLE SLEEVE	5612-016	2
21	CABLE	5610-016-01600	1

Mixer Auger, Idler End, and Drive End

Mixer



Mixer Auger, Idler End, and Drive End

Item	Description	Part Number	Qty
1	DRIVE SHAFT, WELD ON ¹	1562-026-01	1
2	IBS SHAFT ¹	2050-452-00	1
3	IBS SEAL, INNER ^{1,3}	5160-232	1
4	IBS SEAL, OUTER ^{1,3}	5160-232001	1
5	PLUG	5005-123	3
6	WEAR PLATE, 3 HOLE ^{1,2}	0234-001	4
7	WEAR PLATE, 2 HOLE ^{1,2}	0234-002	22
8	WEAR PLATE, PADDLE ^{1,2}	0234-003	5
9	BOLT ^{1,2}	5320-110	66
10	LOCK NUT ^{1,2}	5302-118	66
11	WASHER ^{1,2}	5310-100	66
12	WEAR PLATE & ANGLE, WELD	1562-283-00	1
13	BOLT ^{*,1}	5330-424-000	4
14	O-RING ^{*,3}	5162-314	1
15	BACKING RING ^{*,3}	5162-314001	1
16	SEAL ^{*,3}	5160-228	1

*not shown

See Mixer Assembly section for assembly.

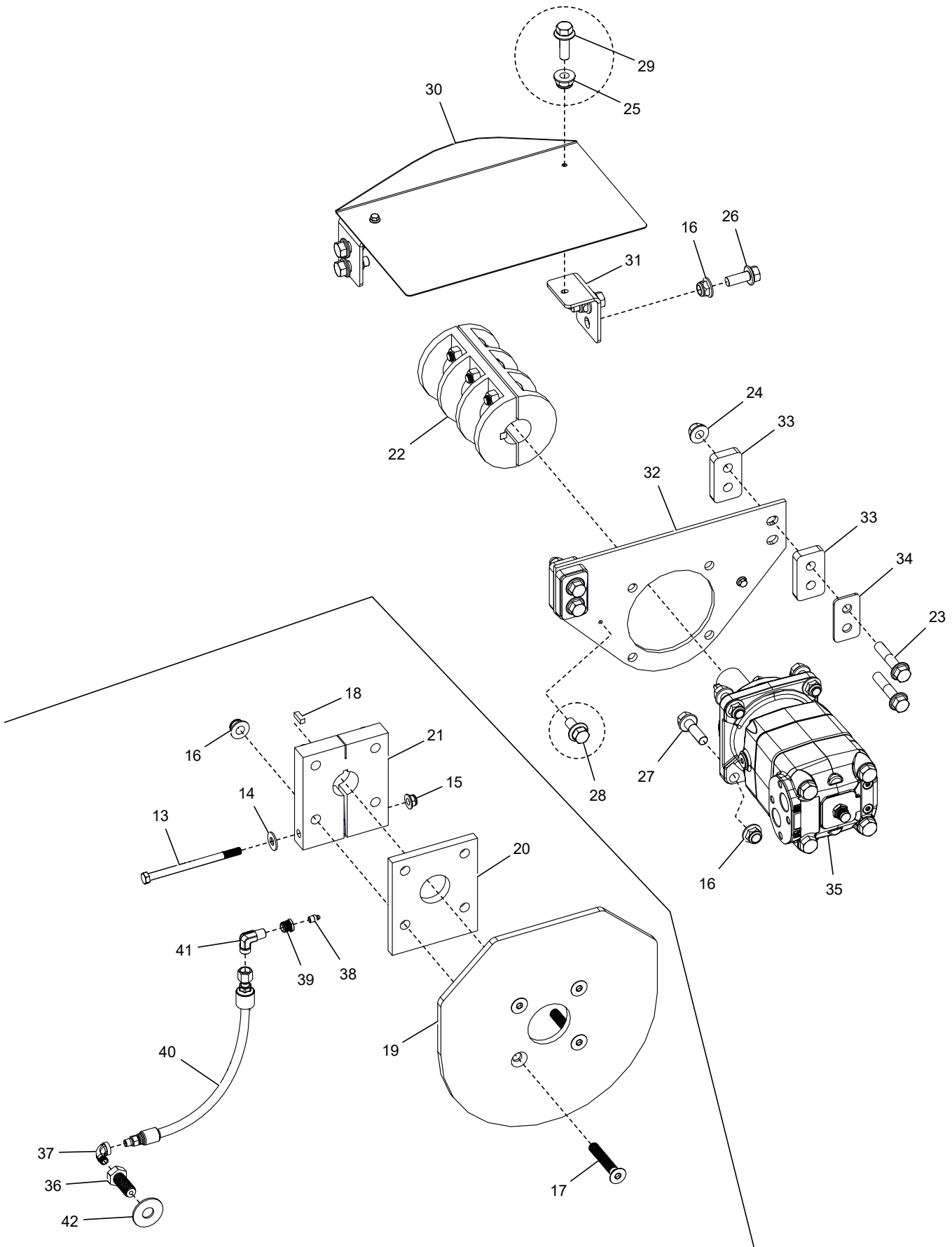
REPLACEMENT KITS			
Item	Description	Part Number	QTY
RK1	AUGER REBUILD KIT ¹	2542-906-00	1
RK2	WEAR BLADE KIT ²	1604-250-01K	1
RK3	IBS REPAIR SEAL KIT ³	2542-907-00	1

^{NOTE} Number denotes part included with kit

Continued on next page

Mixer Auger, Idler End, and Drive End

Mixer

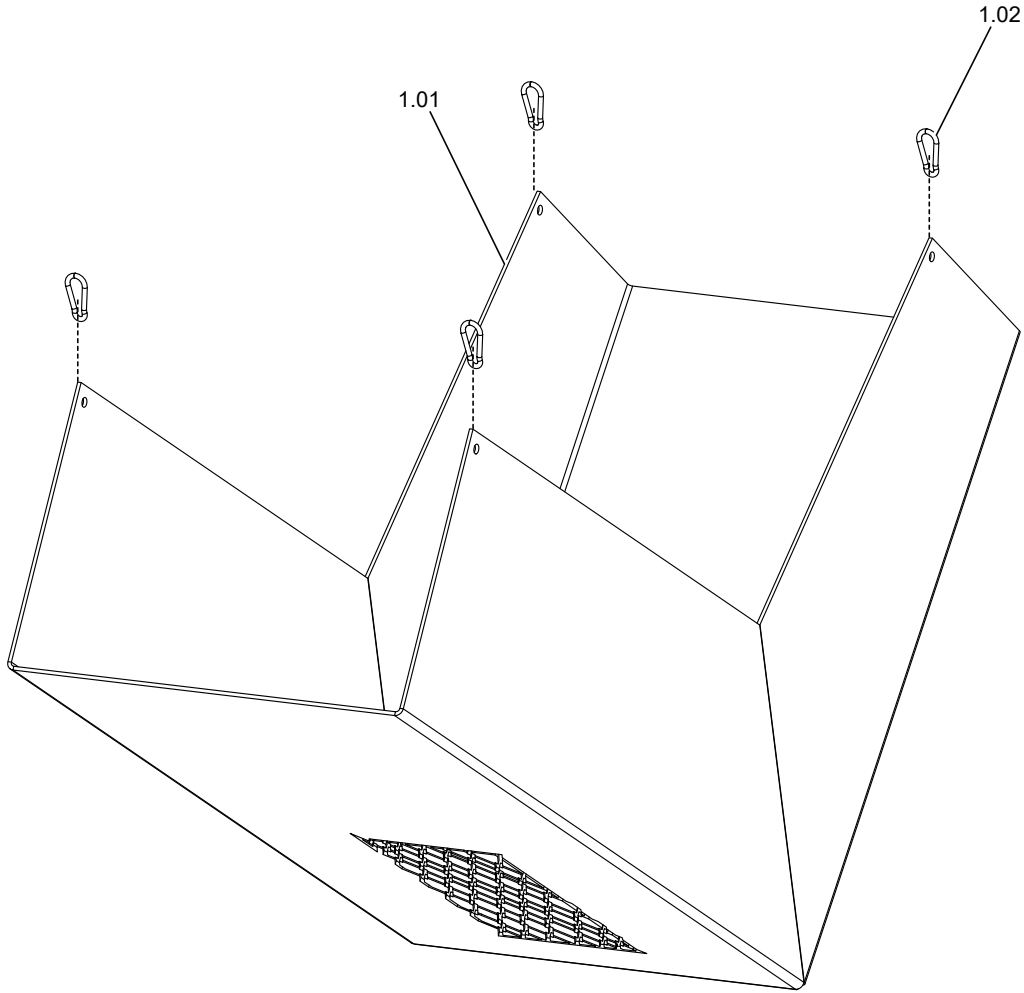


Mixer Auger, Idler End, and Drive End

Item	Description	Part Number	Qty
13	BOLT	5315-237-000	1
14	WASHER	5310-200	1
15	FLANGE LOCK NUT	5307-216-000	1
16	FLANGE LOCK NUT	5307-413-000	12
17	BOLT	5330-424-000	4
18	KEYSTOCK	5375-002-00075	1
19	END PLATE	2050-039-00	1
20	IBS SEAL BLOCK	2050-043-00	1
21	IBS BACK PLATE	2050-042-00	1
22	RIGID COUPLER	5370-880	1
23	FLANGE BOLT	5309-420-000	4
24	FLANGE LOCK NUT	5307-413-002	4
25	FLANGE LOCK NUT	5307-020-000	2
26	FLANGE BOLT	5309-410-000	4
27	FLANGE BOLT	5309-414-000	4
28	FLANGE BOLT	5309-004-000	2
29	FLANGE BOLT	5309-006-000	2
30	TOP COVER	2581-089-02	1
31	BRACKET	2581-088-02	2
32	MOTOR MOUNT	2542-084-03	1
33	SPACER	2581-090-02	4
34	SPACER	2581-091-02	2
35	MOTOR	5233-700-000	1
36	BOLT	2542-031-04	1
37	ELBOW	5003-100.10	1
38	GREASE ZERK	5372-001	1
39	REDUCER	5010-112.10	1
40	HYD HOSE ASSY	2542-544-00	1
41	ELBOW	5223-044-001	1
42	WASHER	5310-600	1

See Mixer Assembly section for assembly.

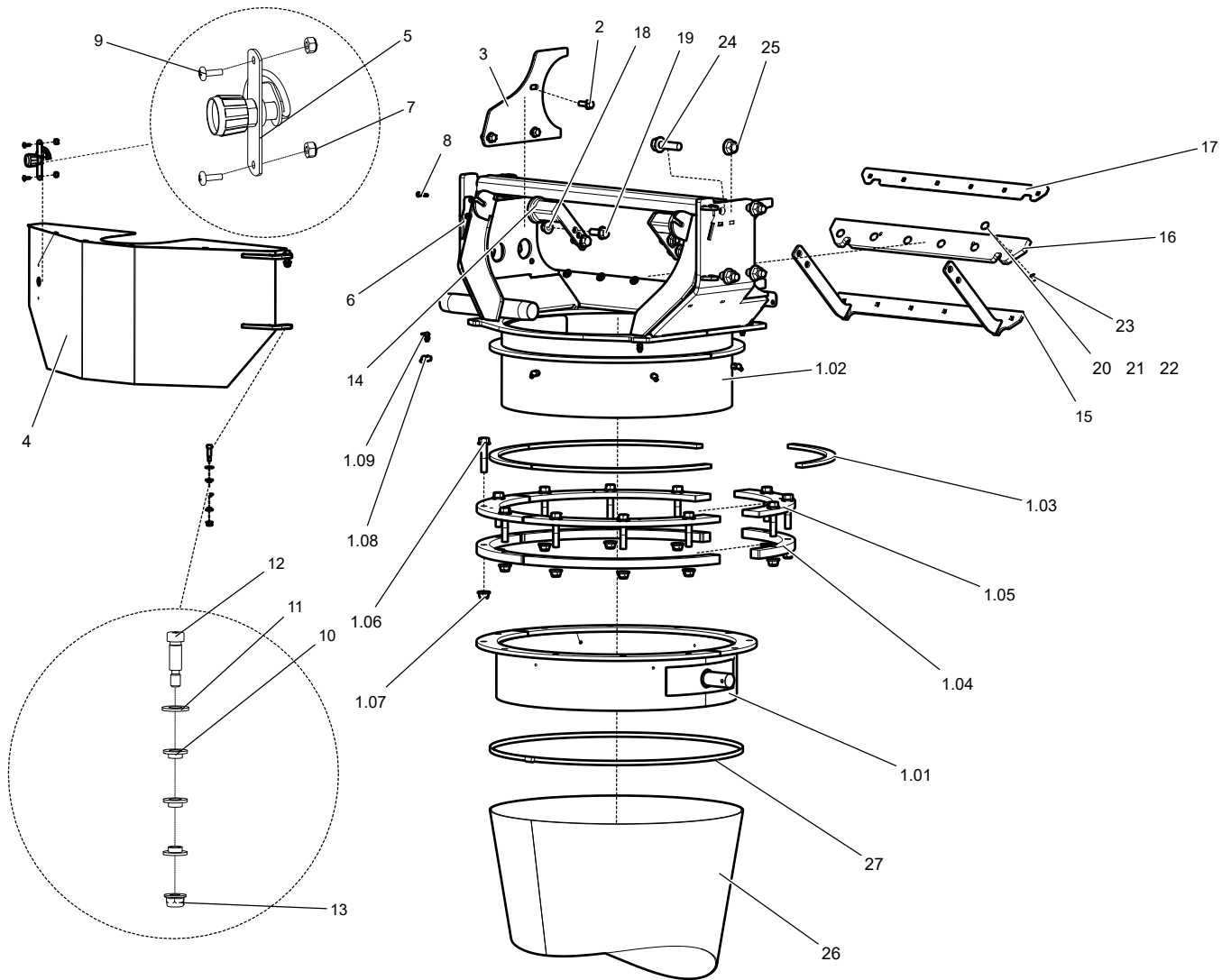
REPLACEMENT KITS				
Kit	Item	Description	Part Number	QTY
RK1	-	AUGER REPLACEMENT KIT	2542-904-00	1
	1	MIXER AUGER	1604-250-01	1
	2	KEY STOCK	5375-005-00150	1
	3	SLINGER MIXER DRIVE BEARING	1731-035-00	1
	4	BOLT	5309-410-000	8
	5	MIXER DRIVE BEARING	5150-628	1
	6	FLANGE LOCK NUT	5307-413-000	8
	7	HUB COUPLING	5195-332	1
	8	CHAIN COVER	5195-308	1
	9	COUPLING HUB	5195-336	1
	10	CHAIN MIXER COUPLING	5195-320	1



<i>Item</i>	<i>Description</i>	<i>Part Number</i>	<i>Qty</i>
1	DIAPER ASSY, YELLOW	1752-410-00	1
	DIAPER ASSY, RED	1752-413-00	1
	DIAPER ASSY, GREEN	1752-415-00	1
1.01	DIAPER, YELLOW	5910-713	1
	DIAPER, RED	5910-713-001	1
	DIAPER, GREEN	5910-713-002	1
1.02	HOOK	5374-308-000	4

Mixer Hopper

Mixer

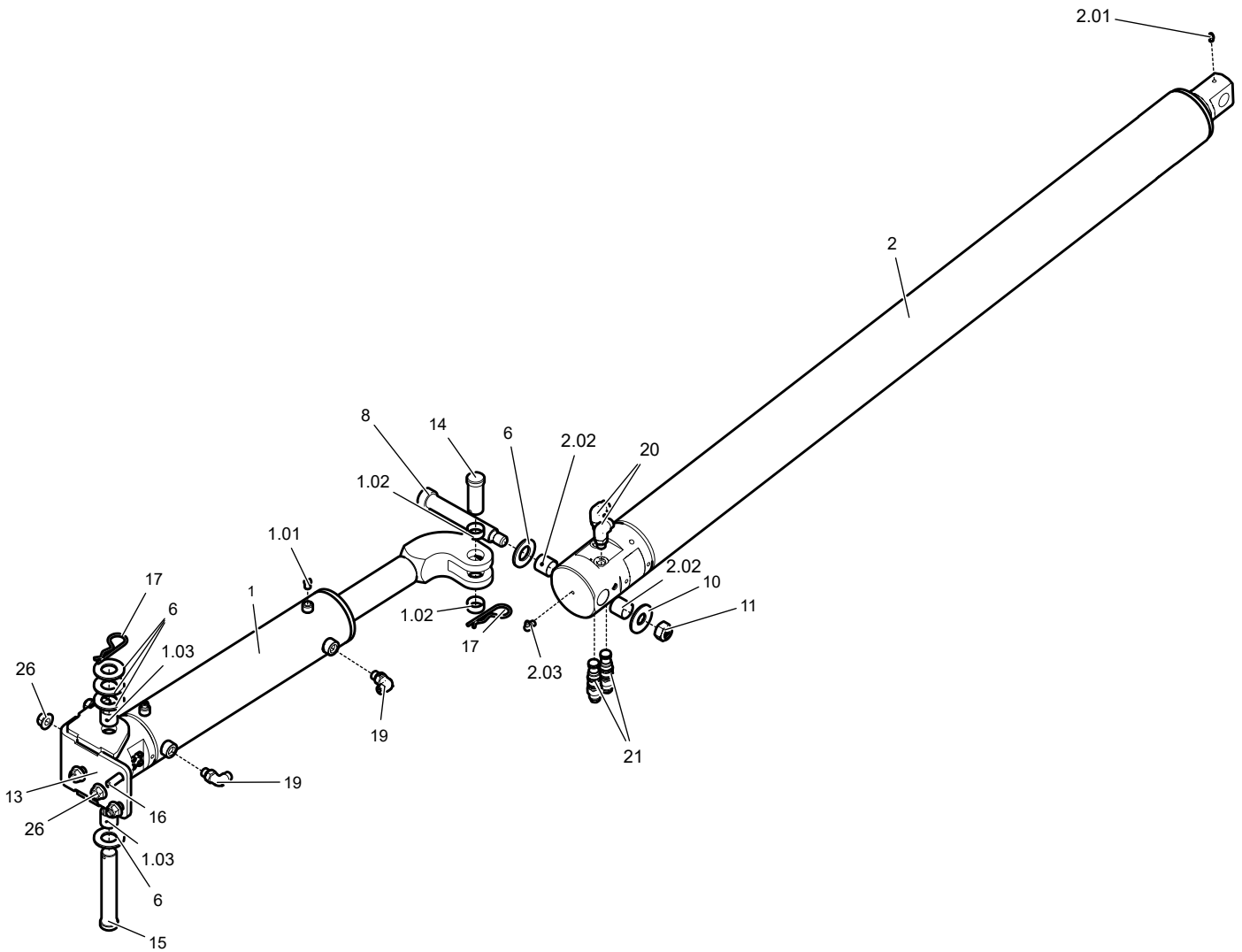


Item	Description	Part Number	Qty
1	MIXER SWIVEL HOPPER	2603-137-00	1
1.01	OUTER RING	2542-213-04	1
1.02	MIXER SWIVEL HOPPER RING	2603-266-02	1
1.03	SWIVEL SLIP RING	2050-064-00	4
1.04	SWIVEL SPACER RING	2542-062-12	4
1.05	SWIVEL HOPPER TOP RETAINER	2542-063-12	4
1.06	BOLT	5309-420-000	12
1.07	FLANGE LOCK NUT	5307-413-000	12
1.08	GREASE FITTING	5372-102	6
1.09	GREASE FITTING	5372-008	4
2	BOLT	5309-208-000	6
3	SIDE GUIDE	2542-057-12	2
4	MIXER HOPPER DOOR	2542-216-04	1
5	SPRING LATCH	5370-031-000	1
6	MIXER HOPPER DOOR LATCH	2542-061-12	1
7	LOCK NUT	5337-33201	4
8	SCREW	5335-330-001	2
9	SCREW	5335-320-001	2
10	SHOULDER WASHER	5310-904-000	8
11	FLAT WASHER	5311-100-001	2
12	SHOULDER BOLT	5365-106-001	2
13	FLANGE LOCK NUT	5307-020-000	2
14	BELT WIPER TENSIONER	2542-034-08	2
15	BELT WIPER MOUNT	2542-217-04	1
16	BELT WIPER RETAINER	2603-069-00	1
17	BELT WIPER	2603-068-00	1
18	FLANGE LOCK NUT	5307-413-00	4
19	BOLT	5309-410-000	4
20	CARRIAGE BOLT	5325-112	6
21	FLAT WASHER	5311-100	6
22	LOCK WASHER	5305-100	6
23	NUT	5300-118	6
24	BOLT	5309-618-003	8
25	FLANGE LOCK NUT	5307-618-002	8
26	HOPPER SKIRT	2050-027-02	1
27	HOPPER SKIRT CLAMP	5370-128	1

Install Kit			
IK1	MIXER HOPPER	2603-301-03	1

Mixer Swivel: Cylinders

Mixer

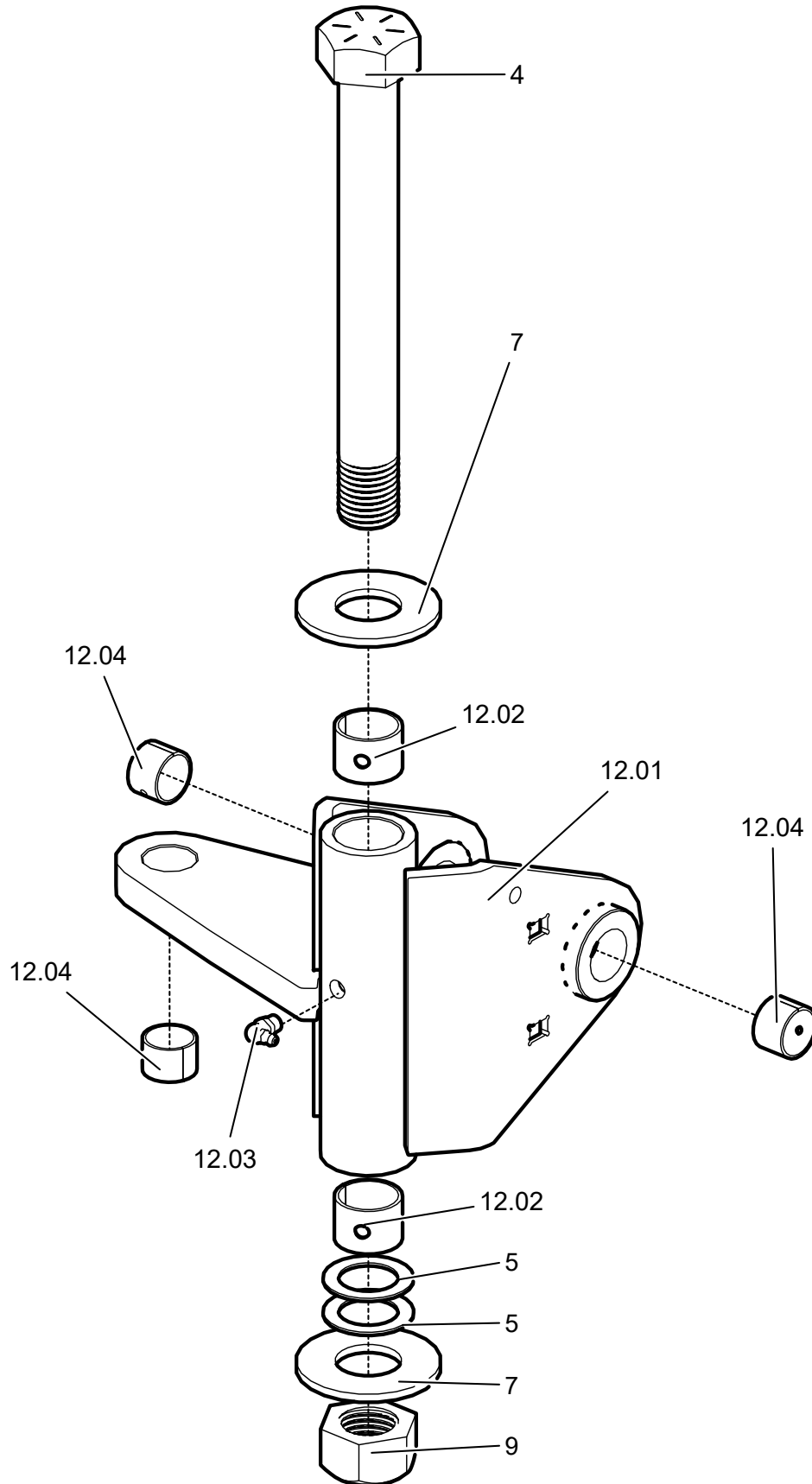


Item	Description	Part Number	Qty
1	HYDRAULIC CYLINDER	5234-612-002	1
1.01	BLEEDER VALVE	5234-612-003	2
1.02	BEARING	5154-316-408	2
1.03	BEARING	5154-316-016	2
2	HYDRAULIC CYLINDER	5234-648-005	1
2.01	GREASE FITTING	5372-001	1
2.02	BEARING	5154-316-016	2
2.03	GREASE FITTING	5372-004	1
6	FLAT WASHER	5310-800-002	5
8	SHOULDER BOLT	5365-744-001	1
13	WELD- REAR SWIVEL MOUNT	2542-246-00	1
14	SHOULDERED CYLINDER PIN	5234-017-000	1
15	SHOULDERED CYLINDER PIN	5234-019-000	1
16	BOLT	5320-412-000	6
17	HAIR PIN	5377-307	2
18	HYDRAULIC ELBOW	5223-017-001	2
19	HYDRAULIC ELBOW	5223-079-001	4
20	HYDRAULIC ELBOW	5223-029-002	2
21	CARTRIDGE	5228-065-002	2
26	FLANGE LOCK NUT	5307-413-002	6

REPLACEMENT KITS			
Item	Description	Part Number	Qty
RK1	CYLINDER SEAL KIT	5234-648-001	1

Mixer Swivel: Fairlead

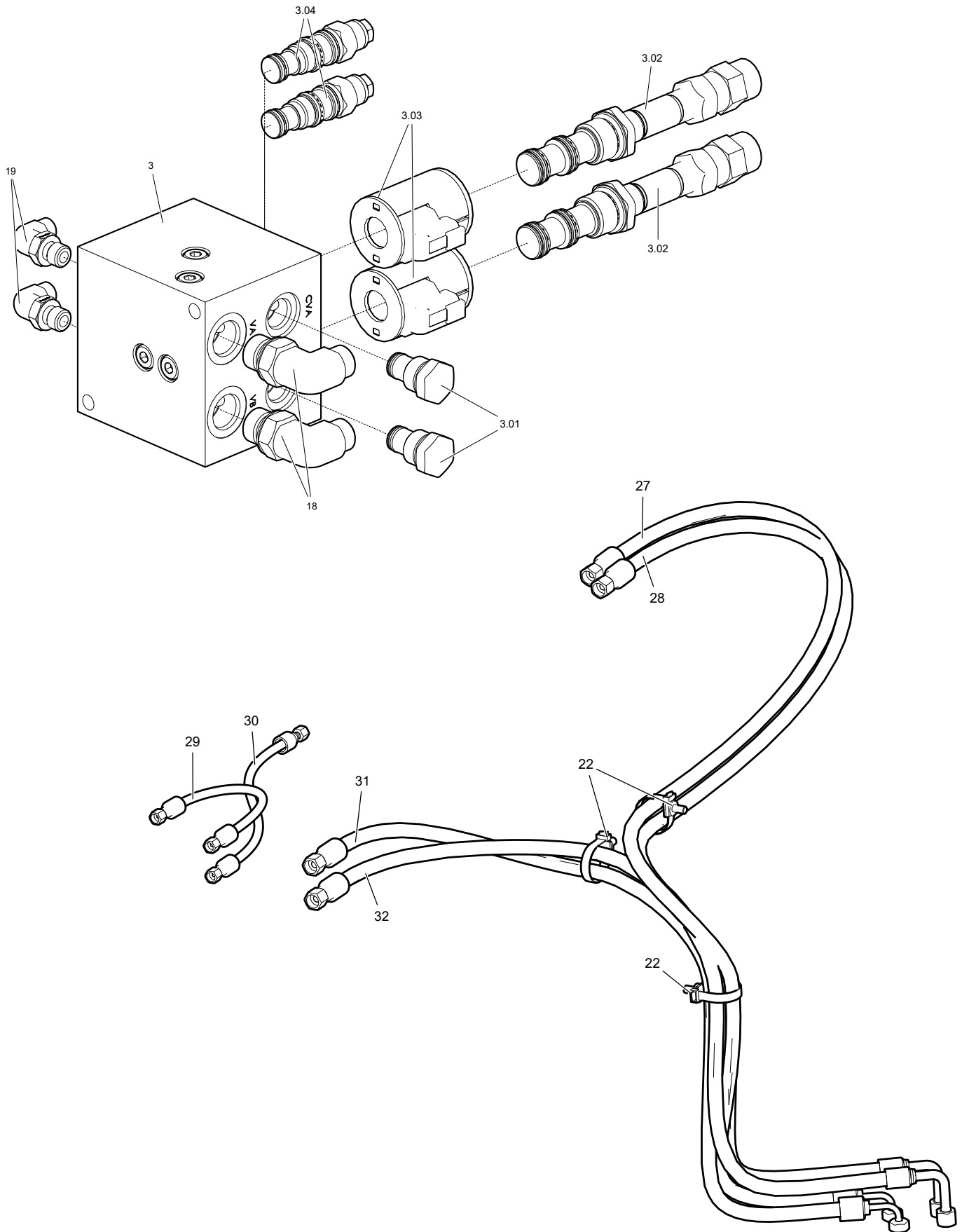
Mixer



<i>Item</i>	<i>Description</i>	<i>Part Number</i>	<i>Qty</i>
4	FAIRLEAD BOLT	2542-030-03	1
5	BUSHING	5383-002	2
7	FLAT WASHER	5311-900	2
9	LOCKNUT TOP LOCK	5302-906-000	1
12	MIXER FAIRLEAD ASSY	2603-426-00	1
12.01	MIXER FAIRLEAD	2603-255-00	1
12.02	BEARING	5154-320-016	2
12.03	GREASE FITTING	5372-004	1
12.04	BEARING	5154-316-012	3

Mixer Swivel: Valve

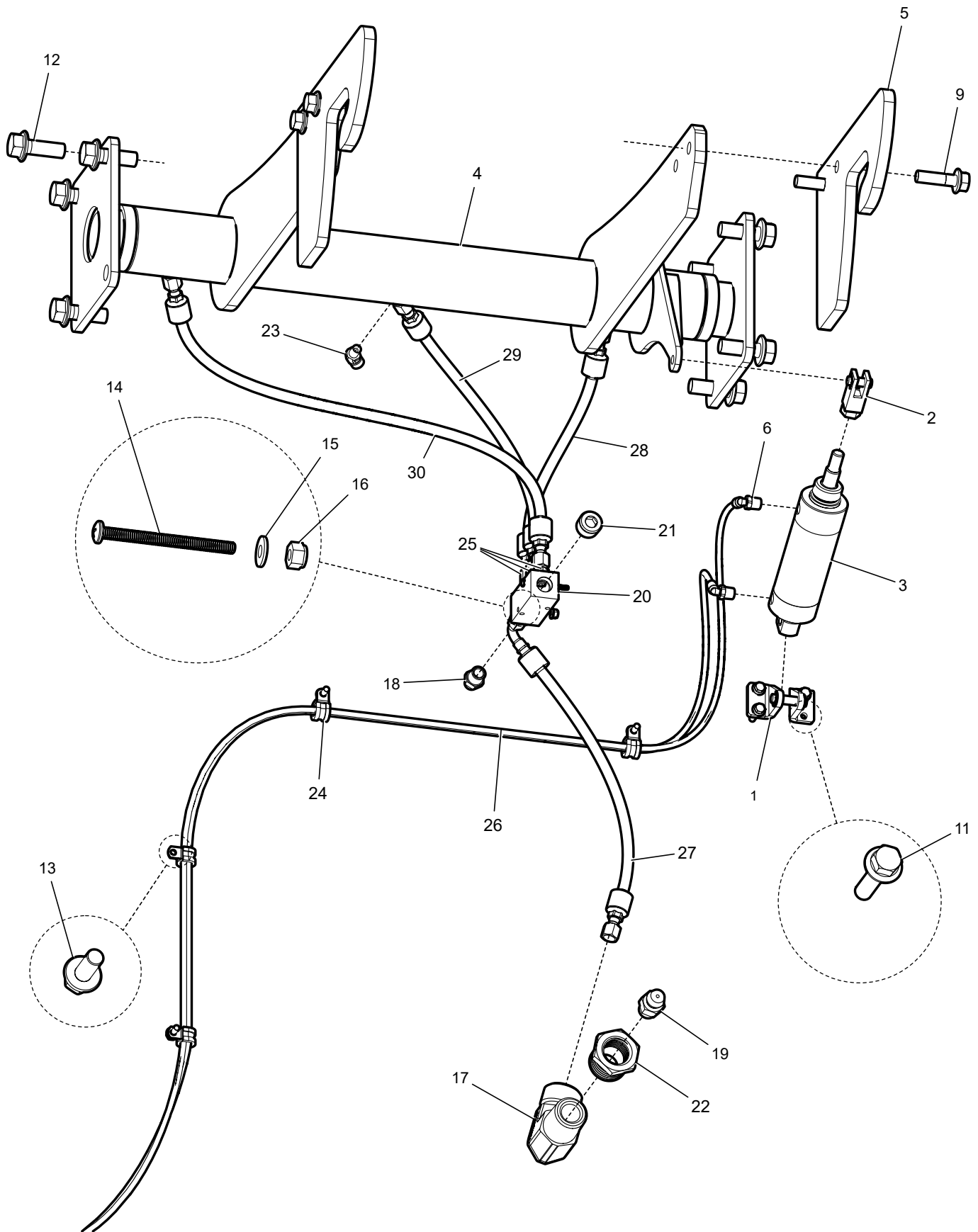
Mixer



Item	Description	Part Number	Qty
3	SWIVEL VALVE	5227-611-001	1
3.01	CARTRIDGE	5227-131-001	2
3.02	CARTRIDGE, FLOW CONTROL	5227-049-005	2
3.03	COIL	5227-235-001	2
3.04	CARTRIDGE	5228-065-000	2
18	HYDRAULIC ELBOW	5223-017-001	2
19	HYDRAULIC ELBOW	5223-079-001	4
26	FLANGE LOCK NUT	5307-413-002	6
27	HYDRAULIC HOSE	2603-518-00	1
28	HYDRAULIC HOSE	2603-519-00	1
29	HYDRAULIC HOSE	2603-523-01	1
30	HYDRAULIC HOSE	2603-524-01	1
31	HYDRAULIC HOSE	2603-525-01	1
32	HYDRAULIC HOSE	2603-526-01	1

Transport Hooks

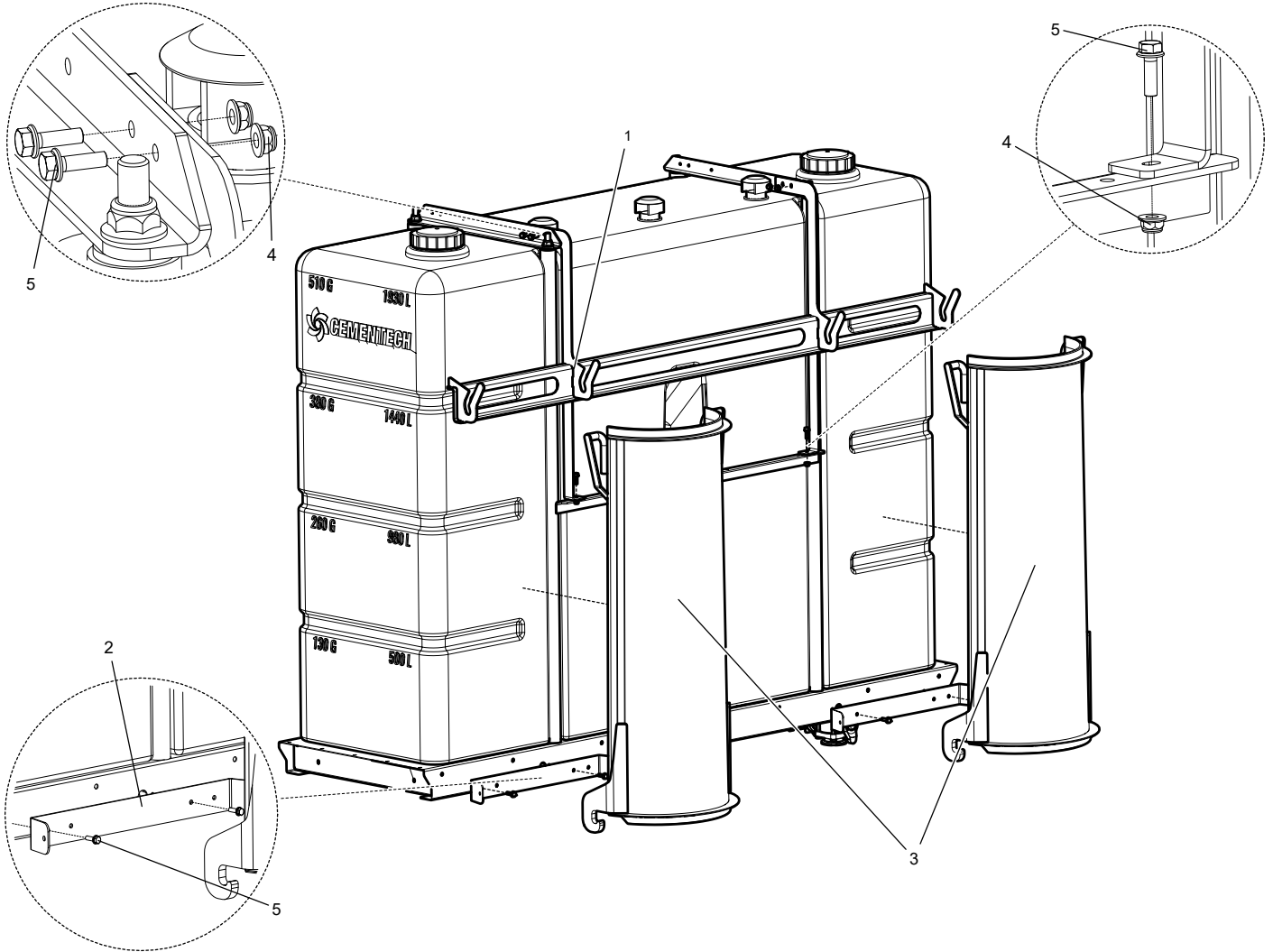
Mixer



Item	Description	Part Number	Qty
1	CYLINDER MOUNT	GPCS8308	1
2	CLEVIS	GPCS8307	1
3	CYLINDER	GPCS8306	1
4	HOOK MOUNT	2542-294-01	1
5	HOOK	1725-052-00	2
6	PUSHLOCK	5077-523	2
7	FLANGE LOCK NUT	5307-413-002	4
8	FLANGE LOCK NUT	5307-611-002	8
9	FLANGE BOLT	5309-414-002	4
10	FLANGE LOCK NUT	5307-020-000	4
11	FLANGE BOLT	5309-008-000	4
12	FLANGE BOLT	5309-614-002	8
13	FLANGE BOLT	5309-005-000	4
14	SCREW	5335-210	2
15	WASHER	5336-144	2
16	LOCK NUT	5337-101	2
17	ELBOW	5223-044-001	1
18	CONNECTOR	5223-036-002	1
19	GREASE ZERK	5372-001	1
20	MANIFOLD	5372-200-000	1
21	PLUG	5005-123-001	1
22	REDUCER	5010-112.10	1
23	ELBOW	5223-034-002	3
24	CLAMP	5532-514	4
25	HYDRAULIC CONNECTOR	5223-035-002	3
26	AIRLINE TUBE	5075-204	13.67'
27	GREASE ZERK -> GREASE MAN	2542-506-02	1
28	TOP CBIN -> PASS T HOOK	2542-507-02	1
29	CNTR GREASE MAN -> CNTR T HOOK	2542-508-02	1
30	TOP MIX SIDE MAN -> DRIVE T HOOK	2542-509-02	1

Extra Chutes: Water Tank Mounted

Mixer

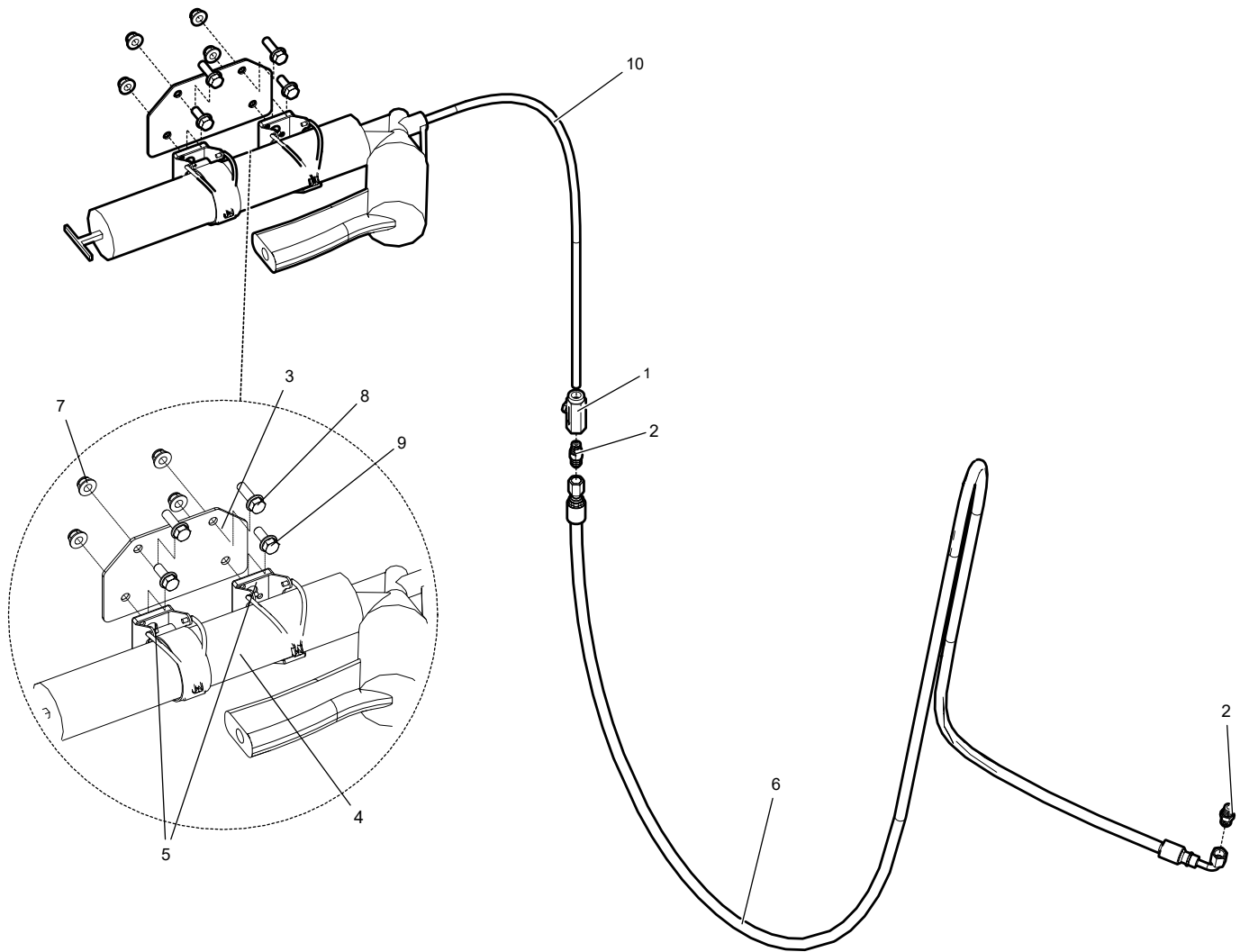


Extra Chutes: Water Tank Mounted

<i>Item</i>	<i>Description</i>	<i>Part Number</i>	<i>Qty</i>
1	CHUTE RACK WATER TANK MOUNT	2603-288-01	1
2	LOWER CHUTE MOUNT BRACKET	2581-074-02	2
3	CHUTE, ALUMINUM	5969-002-000	2
4	FLANGE LOCK NUT	5307-118-000	10
5	BOLT	5309-108-000	10

Mixer Grease Gun

Mixer

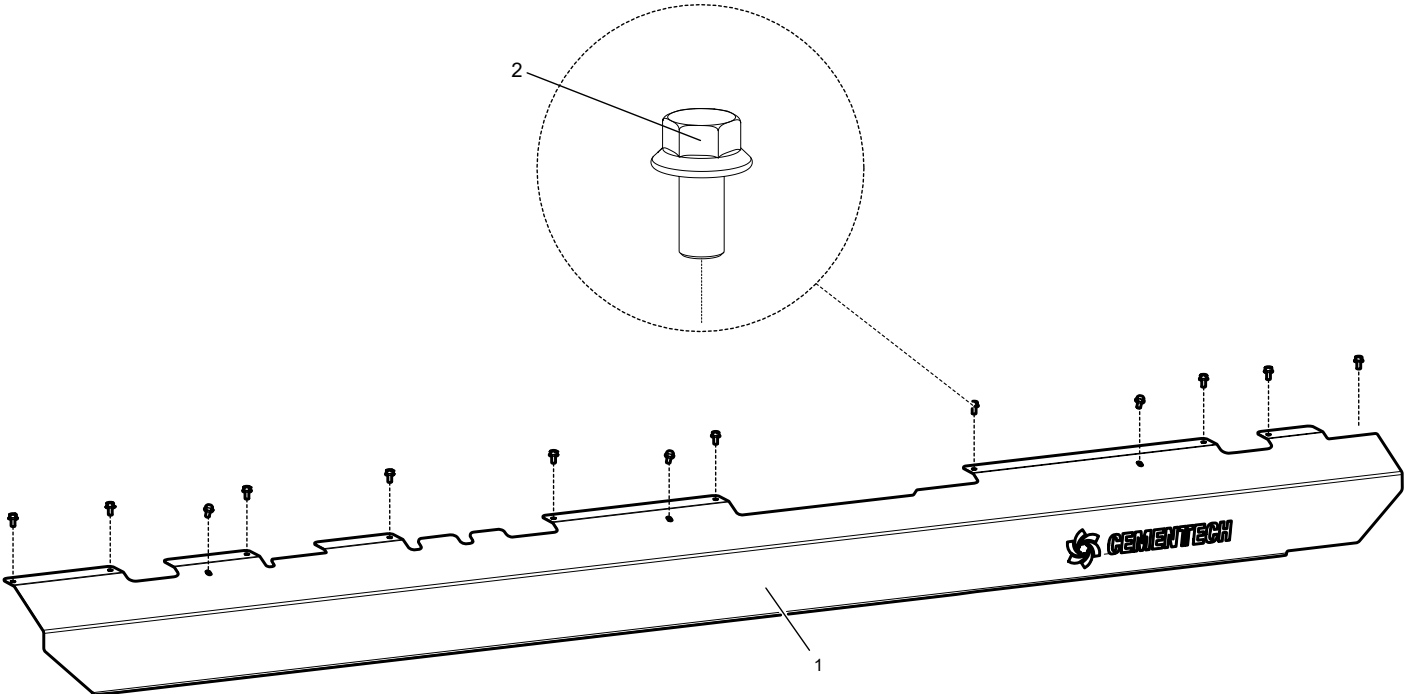


Item	Description	Part Number	Qty
1	CHECK VALVE	5227-231-000	1
2	JIC CONNECTOR	5224-2404-04-02	2
3	GREASE GUN MOUNT	2603-007-04	1
4	AIR GREASE GUN	2562-400-00	1
	GREASE CARTRIDGE, 14OZ*	9500-002	1
5	GREASE GUN HOLDER	9500-010.01	2
6	HYDRAULIC HOSE	2603-534-00	1
7	FLANGE LOCK NUT	5307-118-000	4
8	FLANGE LOCK NUT	5309-108-000	2
9	BOLT	5309-106-000	2
10	VINYL TUBE	5075-204	1'

*not shown

Mixer Heat Shield

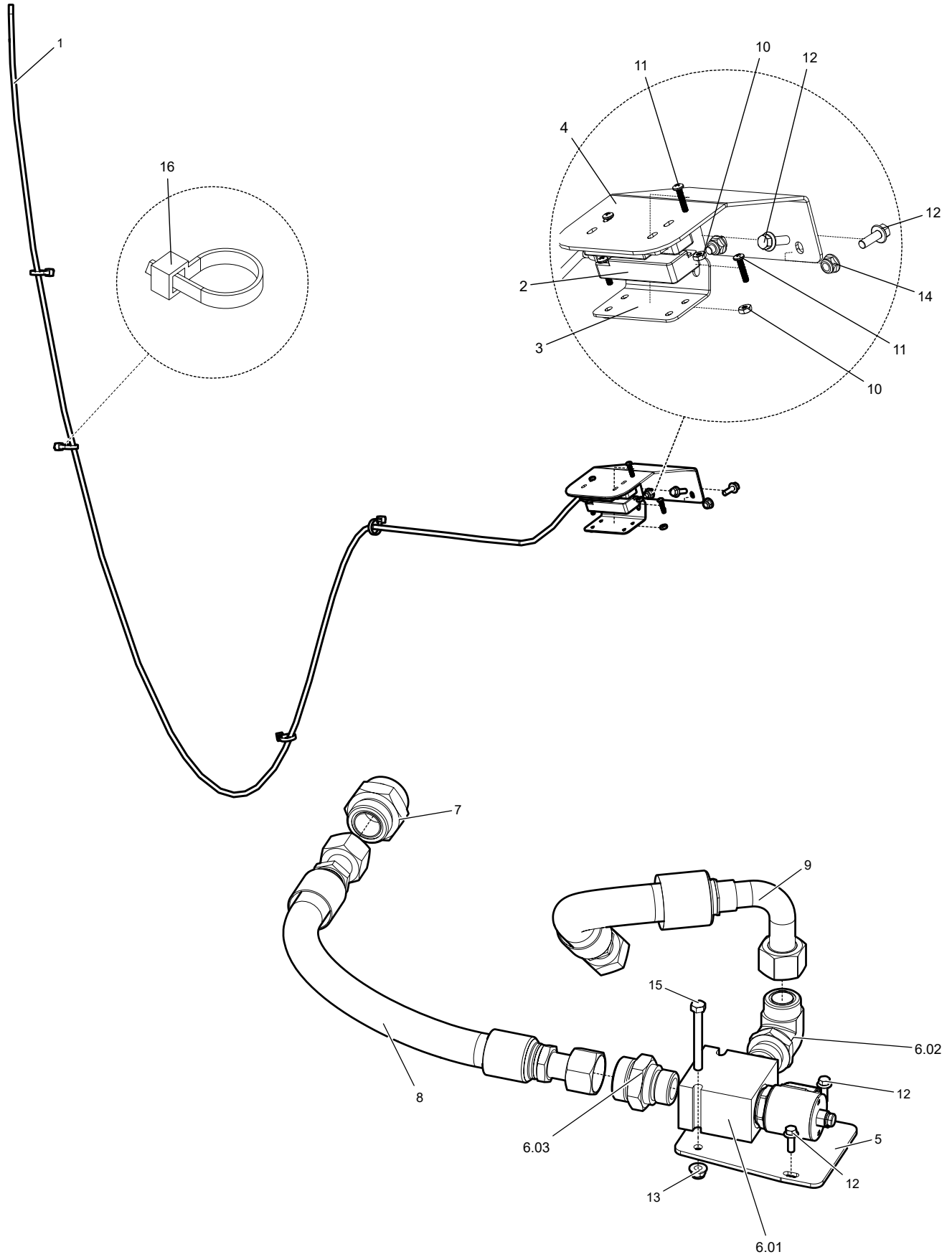
Mixer



<i>Item</i>	<i>Description</i>	<i>Part Number</i>	<i>Qty</i>
1	MIXER HEAT SHIELD	2603-013-04	1
2	BOLT	5309-004-000	13

Mixer Safety Switch

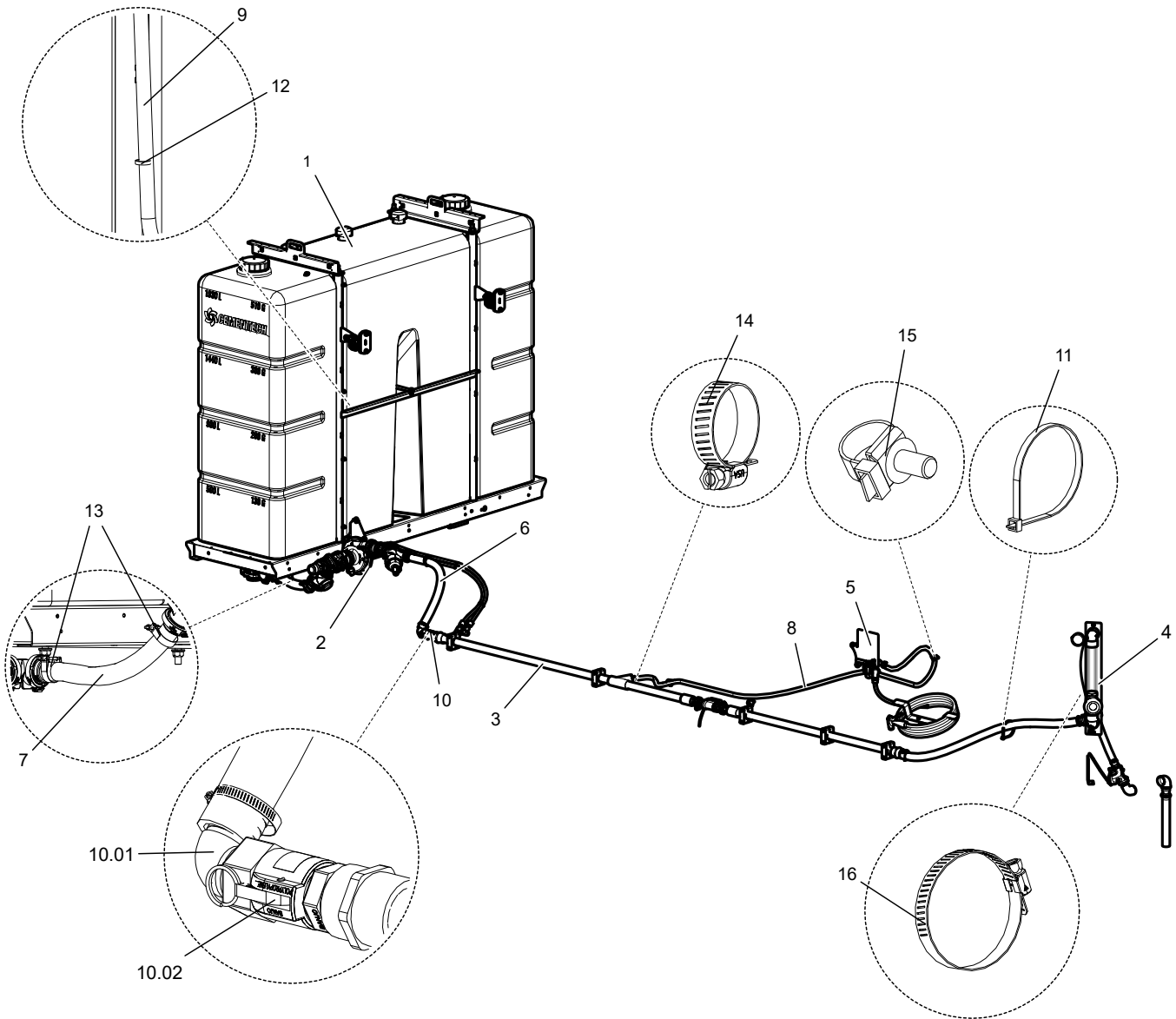
Mixer



Item	Description	Part Number	Qty
1	MIXER SHUTOFF WIRELOOM	2552-547-18	1
2	MAGNETIC SAFETY SWITCH	5526-139-006	1
3	LOWER SWITCH MOUNT	2581-030-02	1
4	UPPER SWITCH MOUNT	2581-031-02	1
5	VALVE MOUNT	2603-008-04	1
6.01	BYPASS VALVE, 24V	5227-043-001	1
6.02	HYDRAULIC ELBOW	5223-055-001	1
6.03	HYDRAULIC CONNECTOR, STR	5223-086-001	1
7	HYDRAULIC CONNECTOR, STR	5223-001-003	1
8	HYDRAULIC HOSE	2603-532-00	1
9	HYDRAULIC HOSE	2603-533-00	1
10	NUT	5336-132	4
11	SCREW	5335-106	4
12	BOLT	5309-006-000	6
13	FLANGE LOCK NUT	5307-118-000	2
14	FLANGE LOCK NUT	5307-020-000	2
15	BOLT	5315-122-000	2
16	WIRE TIE	5533-108	4

INSTALL KITS

IK1	MIXER SAFETY SWITCH, 24V	2603-374-00	1
-----	--------------------------	-------------	---



Item	Description	Part Number	Qty
1	WATER TANK & MOUNTING	2603-361-02	1
2	WATER PUMP	2603-344-01	1
3	WATER PIPE	2603-345-01	1
4	WATER CONTROL	2603-350-00	1
5	WASHOUT/BLOWOUT	2603-358-02	1
6	WATER HOSE	5400-201	5.61'
7	WATER HOSE	5400-241	2'
8	AIRLINE TUBING	5400-081	9.74'
9	AIRLINE TUBING	5075-204	7.26'
10	BARB TO CAM ASSY	2603-494-00	1
10.01	HOSE BARB 90	5401-722-000	1
10.02	CAMLOCK COUPLING	5200-068-014	1
11	WIRE TIE	5532-115	1
12	WIRE TIE	5532-108	4
13	CLAMP, TBOLT	5370-530-002	2
14	HOSE CLAMP	5370-510	2
15	WIRE TIE, TREE	5532-205-000	3
16	HOSE CLAMP	5370-524	4

¹see page 94-97 for Water Tank & Mounting components

²see page 98 for Water Pump components

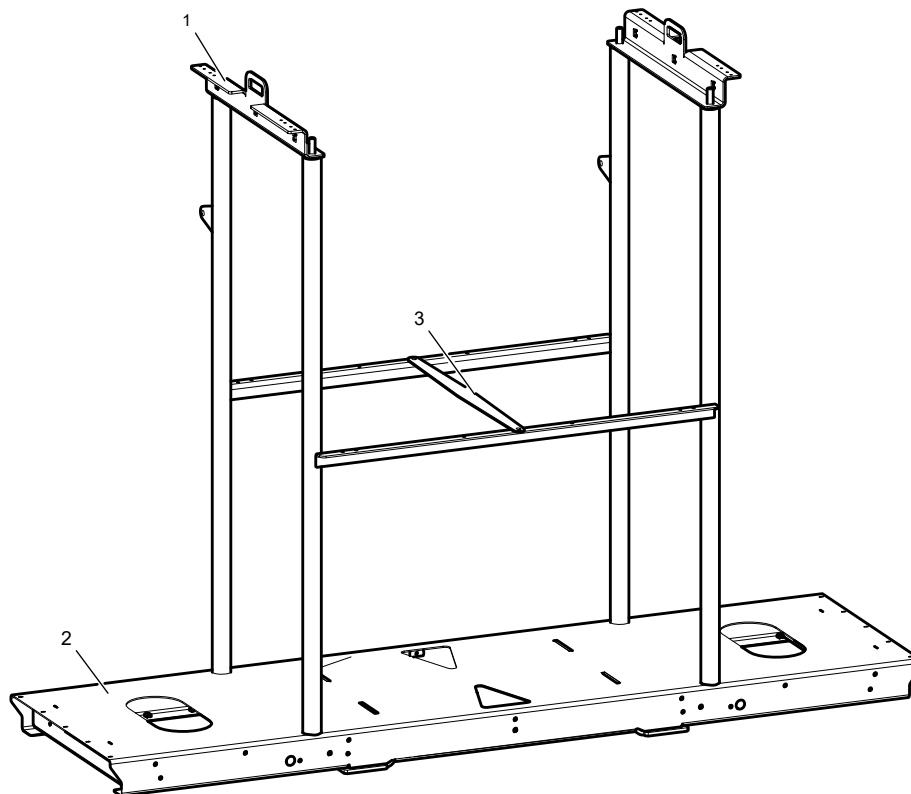
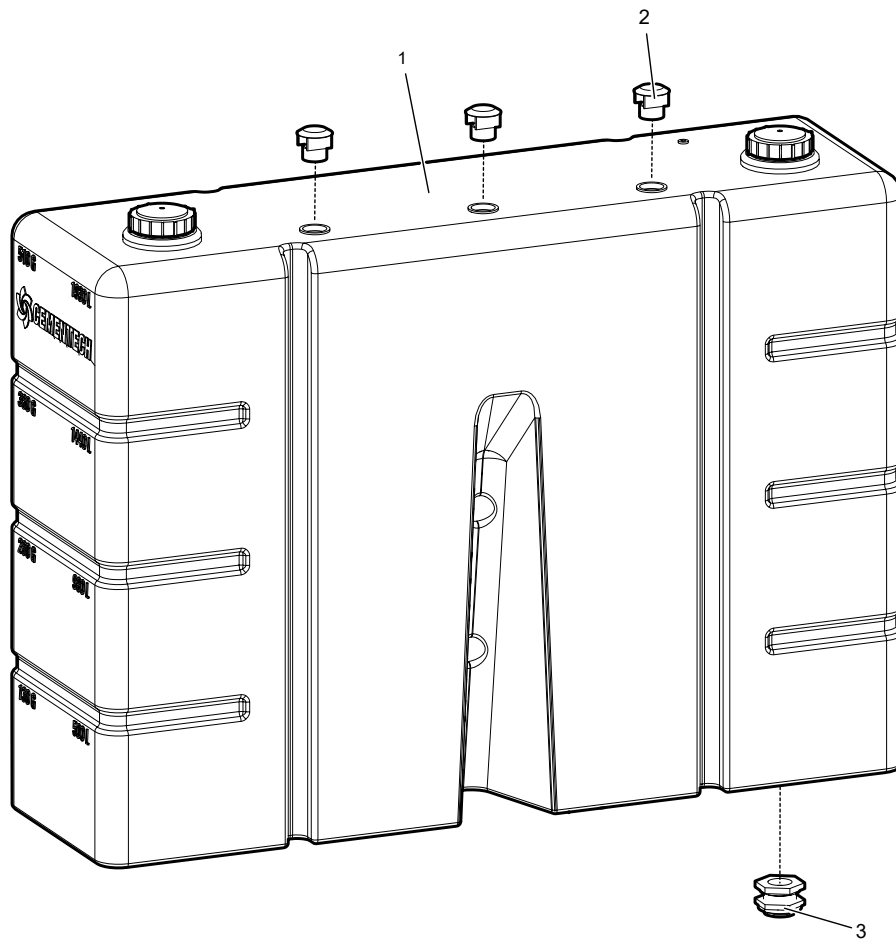
³see page 100 for Water Pipe components

⁴see page 102 for Water Control components

⁵see page 104 for Washout/Blowout components

Water Tank and Base

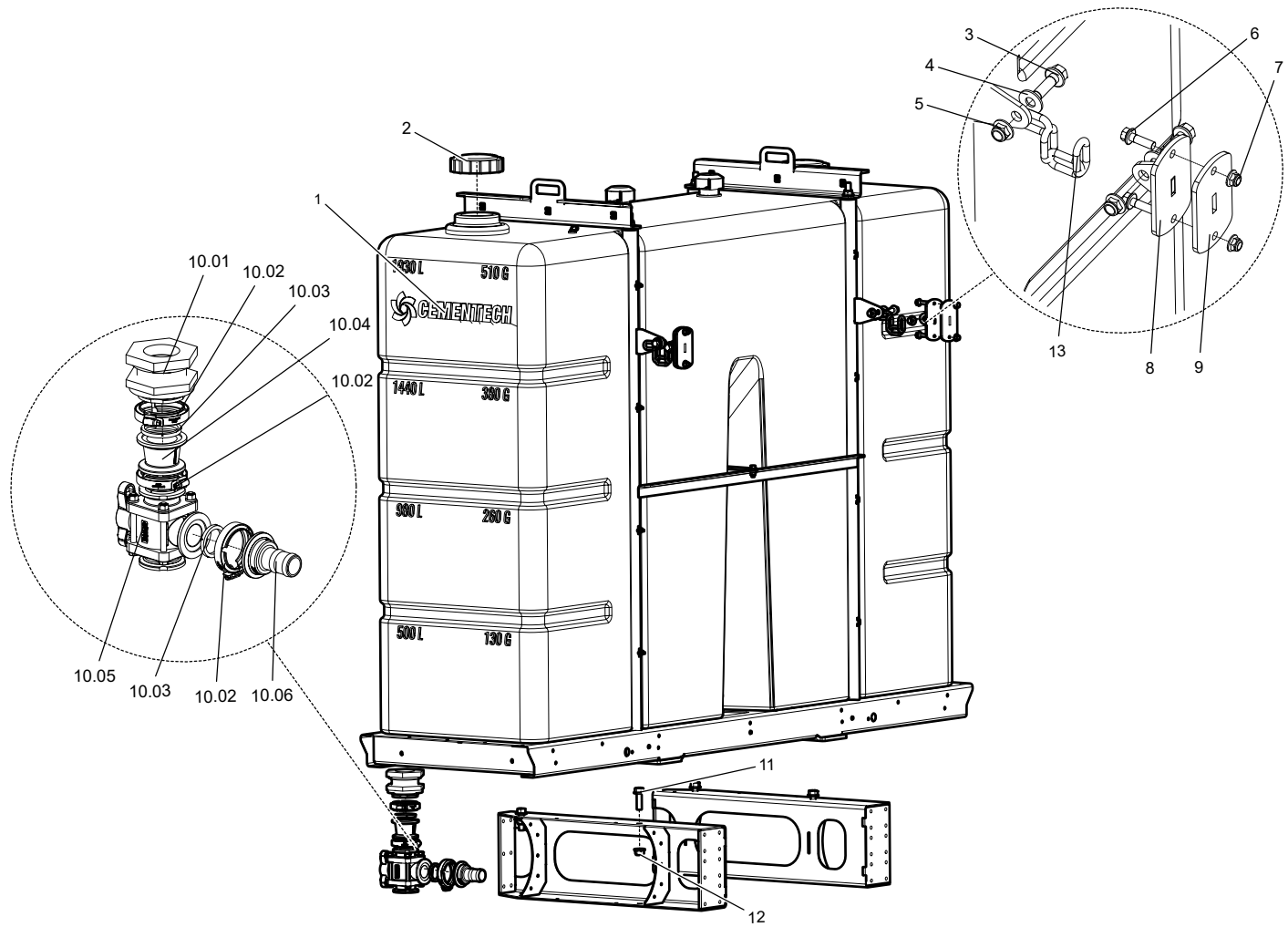
Water



<i>Item</i>	<i>Description</i>	<i>Part Number</i>	<i>Qty</i>
1	TOP SUPPORT	2603-077-08	2
2	TANK BASE	2603-245-02	1
3	CENTER SUPPORT	2603-052-04	1
4	510 WATER TANK	5457-510-000	1
5	CAP	5457-920	3
6	BULKHEAD	5457-947-000	1

Water Tank Mounting & Riser

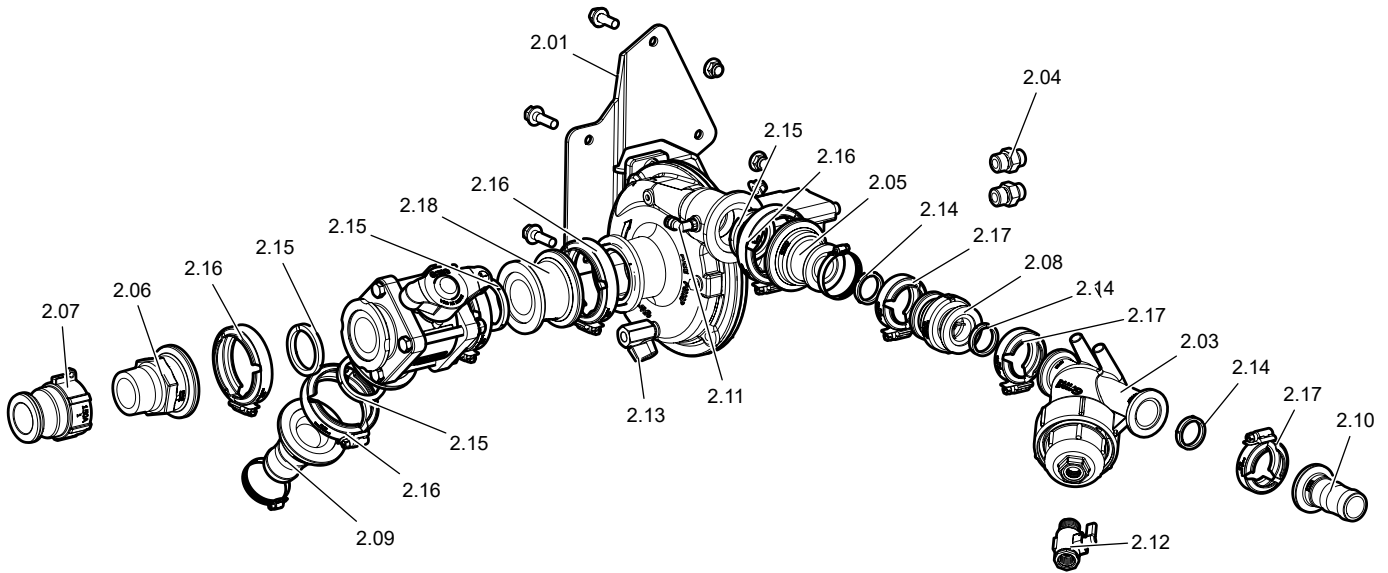
Water



Item	Description	Part Number	Qty
1	WATER TANK, 510 GALLON	5457-510-000	1
2	WATER TANK CAP	5457-904	2
3	BOLT	5307-413-000	4
4	FLAT WASHER	5310-400	4
5	FLANGE LOCK NUT	5309-412-000	4
6	BOLT	5309-210-000	4
7	FLANGE LOCK NUT	5607-216-000	4
8	BOLT ON BRACE	2603-211-02	2
9	MONTING PAD	2581-018-01	2
10	WATER TANK FITTING ASSY	2603-423-01	1
10.01	BULKHEAD	5457-947-000	1
10.02	FLANGE CLAMP	5016-300-002	3
10.03	GASKET	5016-301-002	3
10.04	COUPLING	5016-000-000	1
10.05	3-WAY VALVE	5456-153-000	1
10.06	BARB FITTING	5016-200-003	1
11	BOLT	5309-212-002	12
12	FLANGE LOCK NUT	5309-216-002	12
13	CHAIN COUPLING	5600-200-00800	2
14	WATER TANK RISER	2603-246-02	2

Water Pump

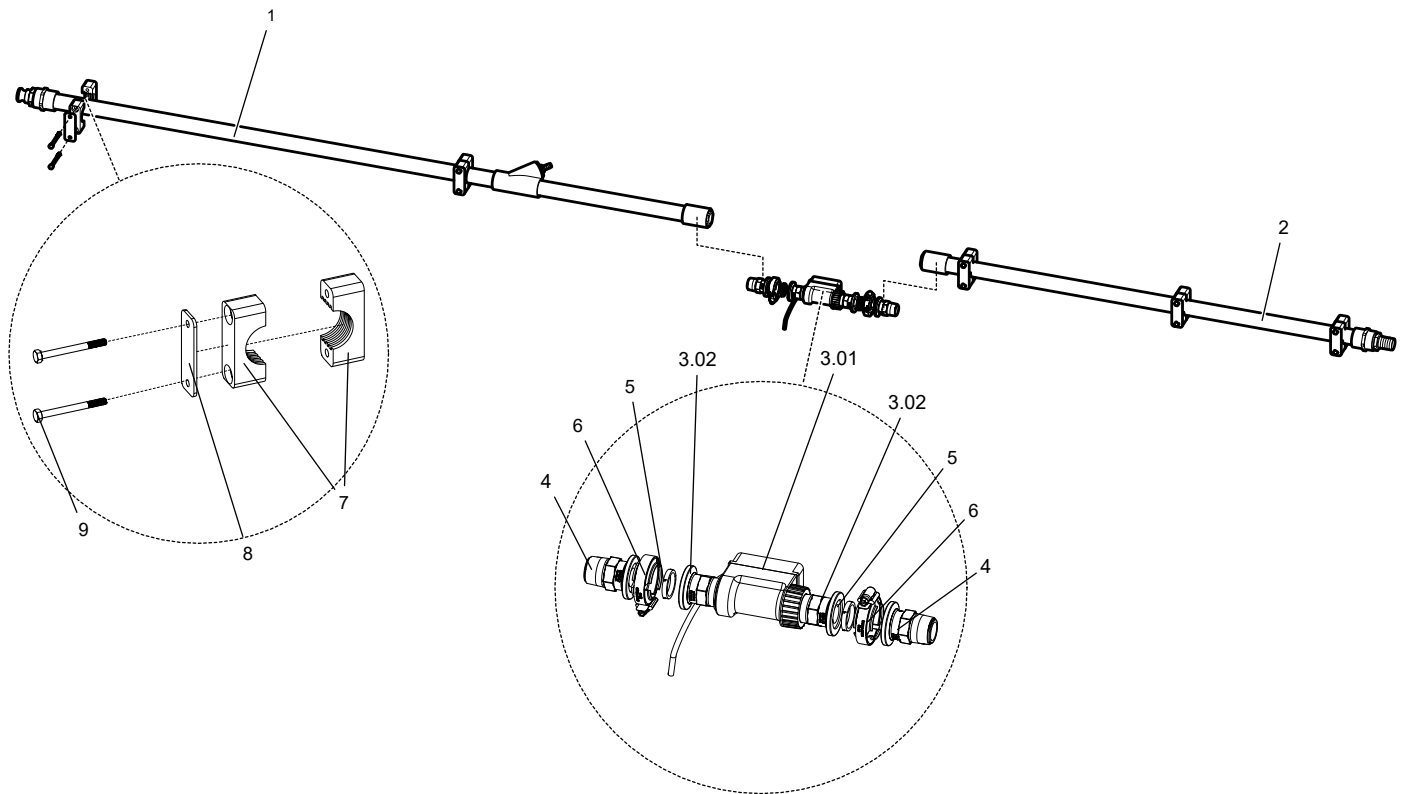
Water



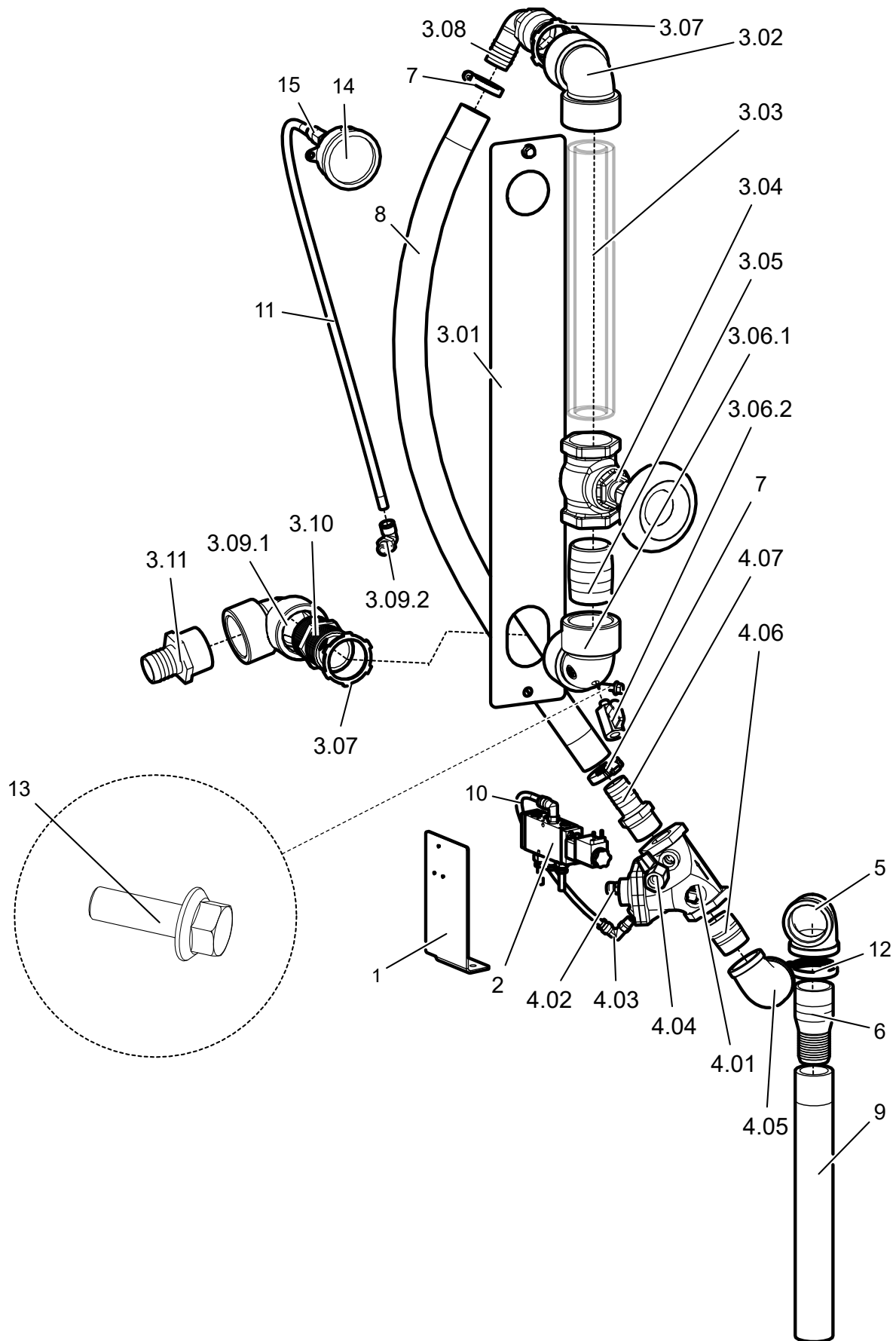
Item	Description	Part Number	Qty
2.01	PUMP MOUNT BRACKET	2603-266-01	1
2.02	FLANGE WATER PUMP	5455-007-105	1
2.03	STRAINER ¹	5451-128-000	1
2.04	HYD CONNECTOR	5223-002-001	2
2.05	FLANGE COUPLING	5016-000-210	1
2.06	FLANGE	5016-100-001	1
2.07	MALE ADAPTER	5401-098-000	1
2.08	CHECK VALVE	5456-228-000	1
2.09	HOSE BARB	5016-200-003	1
2.10	HOSE BARB	5016-200-000	1
2.11	PUSHLOCK 90	5077-522	1
2.12	BALL VALVE	5456-101-004	1
2.13	BALL VALVE	5456-157-000	1
2.14	RIBBED FLANGE GASKET	5016-301-002	6
2.15	RIBBED FLANGE GASKET	5016-301-001	3
2.16	FLANGE CLAMP	5016-300-002	6
2.17	FLANGE CLAMP	5016-300-001	3
2.18	FLANGE COUPLING	5016-000-000	1
2.19	RIBBED FLANGE GASKET	5016-301-003	1
2.20	BOLT	5309-210-000	2
2.21	FLANGE LOCK NUT	5307-216-000	2

REPLACEMENT KITS			
Item	Description	Part Number	Qty
RK1	PUMP REPAIR KIT	5455-007-101	1
RK2	IMPELLER REPAIR KIT	5455-007-102	1
RK3	FILTER REPLACEMENT KIT ¹	2542-917-00	1

^{NOTE} Number denotes part included in kit



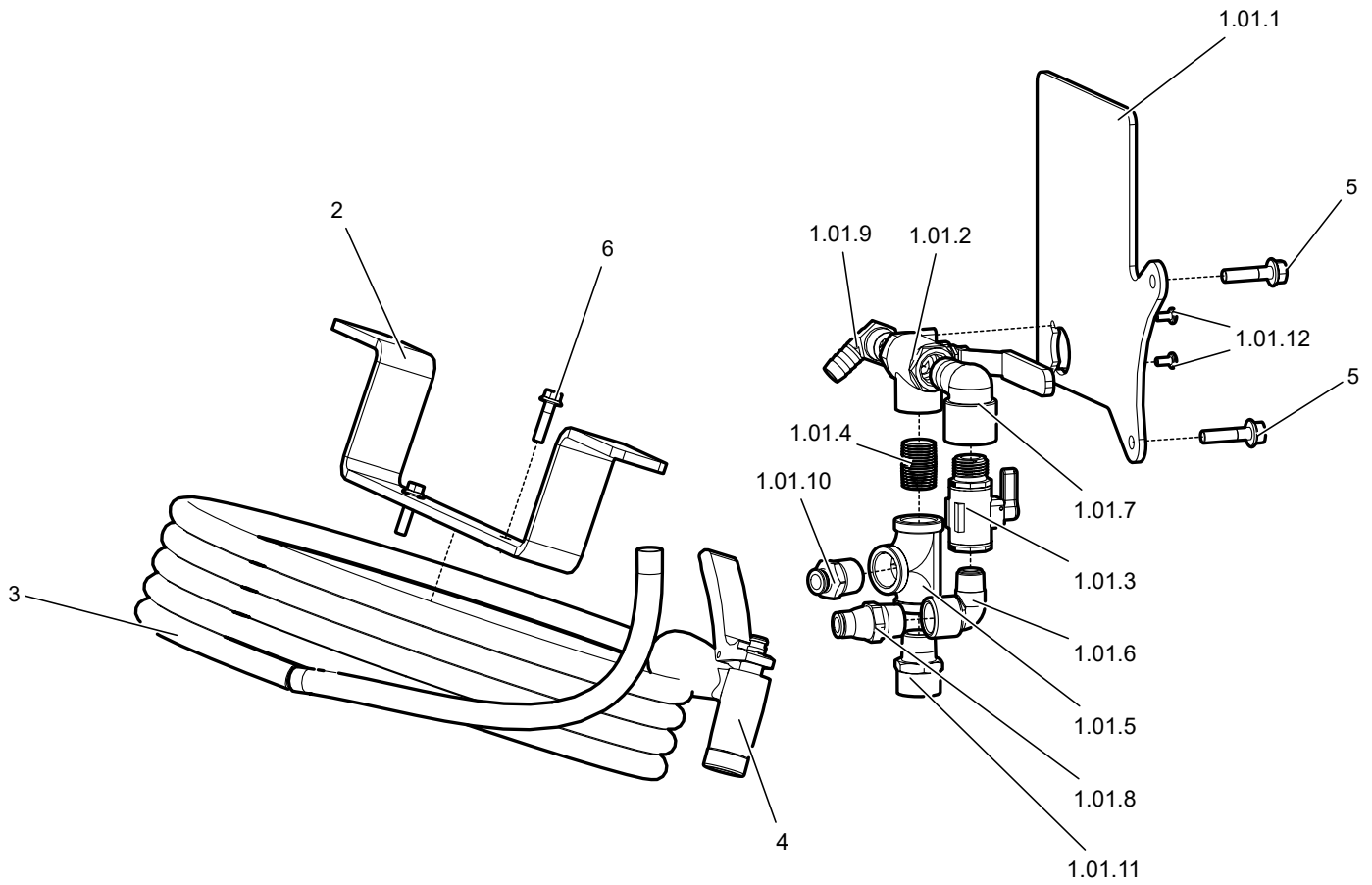
Item	Description	Part Number	Qty
1	WATER PIPE, FRONT	2603-460-00	1
2	WATER PIPE, REAR	2603-469-00	1
3.01	WATER FLOWMETER	2439-325-04	1
3.02	FLANGE FITTING	5016-100-005	2
4	FLANGE FITTING	5016-100-005	2
5	FLANGE CLAMP	5016-300-001	2
6	GASKET	5016-301-001	2
7	CLAMP BODY	5370-404-004	5
8	CLAMP PLATE	5370-404-002	5
9	CLAMP BOLT	5370-404-003	10



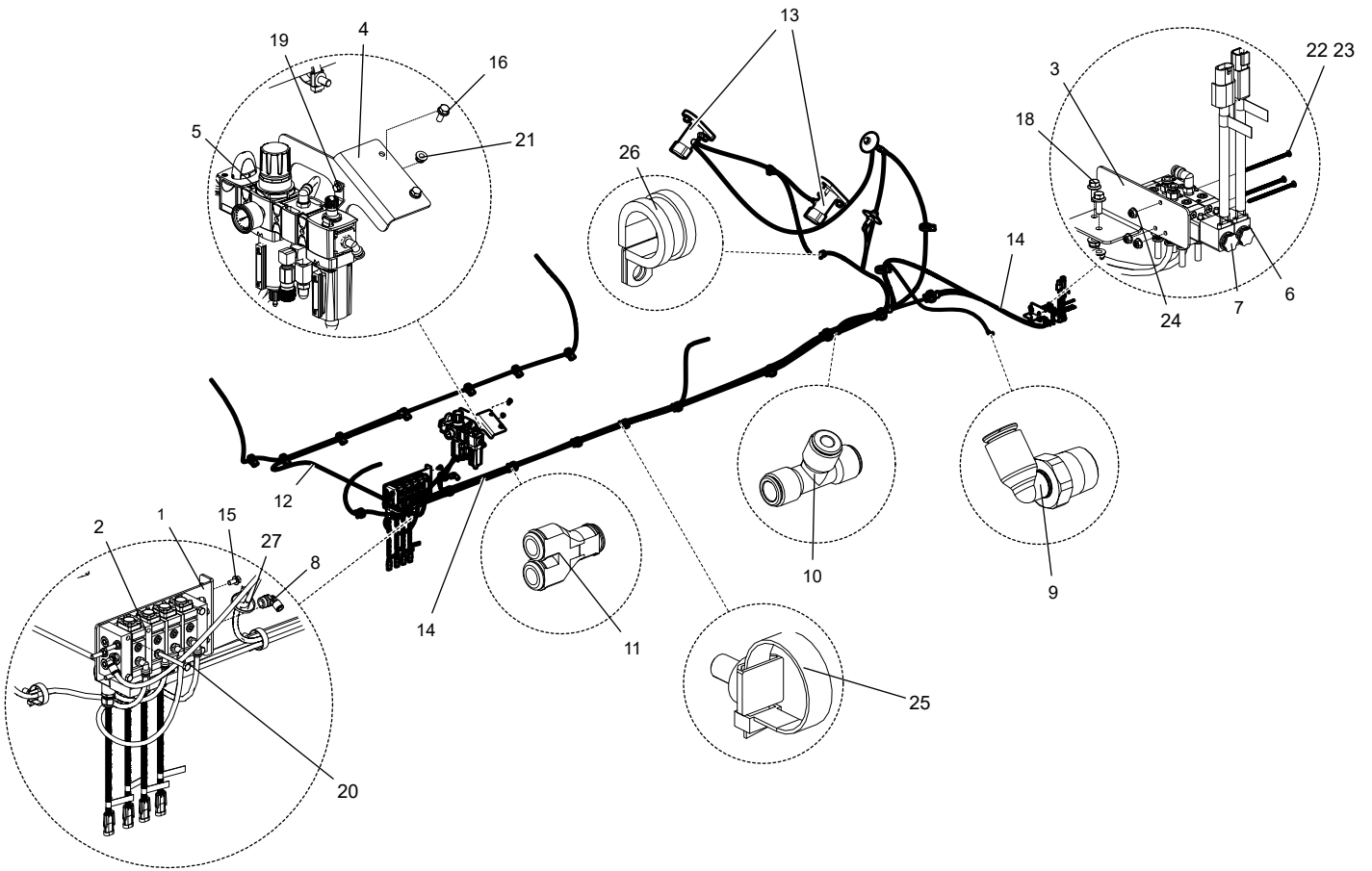
Item	Description	Part Number	Qty
1	WATER SHUTOFF BRACKET	2603-049-03	1
2	WATER SHUTOFF VALVE, 24V	2602-999-03	1
3	WATER FLOWMETER ASSY	2603-424-00	1
3.01	PANEL MOUNT, FLOWMETER	2603-050-03	1
3.02	ELBOW 90, PLASTIC	5001-170-002	1
3.03	FLOWMETER	5453-064	1
3.04	VALVE	5456-356	1
3.05	NIPPLE	5057-000-002	1
3.06	ELBOW & DRAIN	2584-402-00	1
3.06.1	ELBOW 90, PLASTIC	5001-170-002	1
3.06.2	BALL VALVE, BRASS	5456-157-000	1
3.07	LOCKNUT	5534-130	2
3.08	HOSE BARB 90	5401-725	1
3.09	ELBOW & PUSHLOCK	2603-453-00	1
3.09.1	ELBOW 90, PUSHLOCK	5001-170-002	1
3.09.2	PUSHLOCK 90	5077-544-001	1
3.10	KC NIPPLE	5057-000.30	1
3.11	HOSE BARB	5401-419	1
4	WATER DISCHARGE ASSY	2603-423-00	1
4.01	AIR VALVE	5456-001	1
4.02	BREATHER VENT	5213-222	1
4.03	PUSHLOCK 90	5077-522	1
4.04	BALL VALVE, BRASS	5456-158-000	1
4.05	REDUCER ELBOW 90, STAINLESS	5013-162-001	1
4.06	CL NIPPLE	5055-000-002	1
4.07	HOSE BARB	5401-416	1
5	ELBOW 90, GALVANIZED	5001-160.10	1
6	KC NIPPLE	5070-160	1
7	HOSE CLAMP	5370-516	2
8	WATER HOSE	5400-161	2.79'
9	WATER HOSE	5400-201	1'
10	AIRLINE TUBING	5075-204	0.88'
11	AIRLINE TUBING	5075-206	1.77'
12	HOSE CLAMP	5370-524	1
13	BOLT	5309-006-000	2
14	AIR/WATER GAUGE	5404-109	1
15	PUSHLOCK STR	5077-420-000	1

Washout/Blowout System

Water



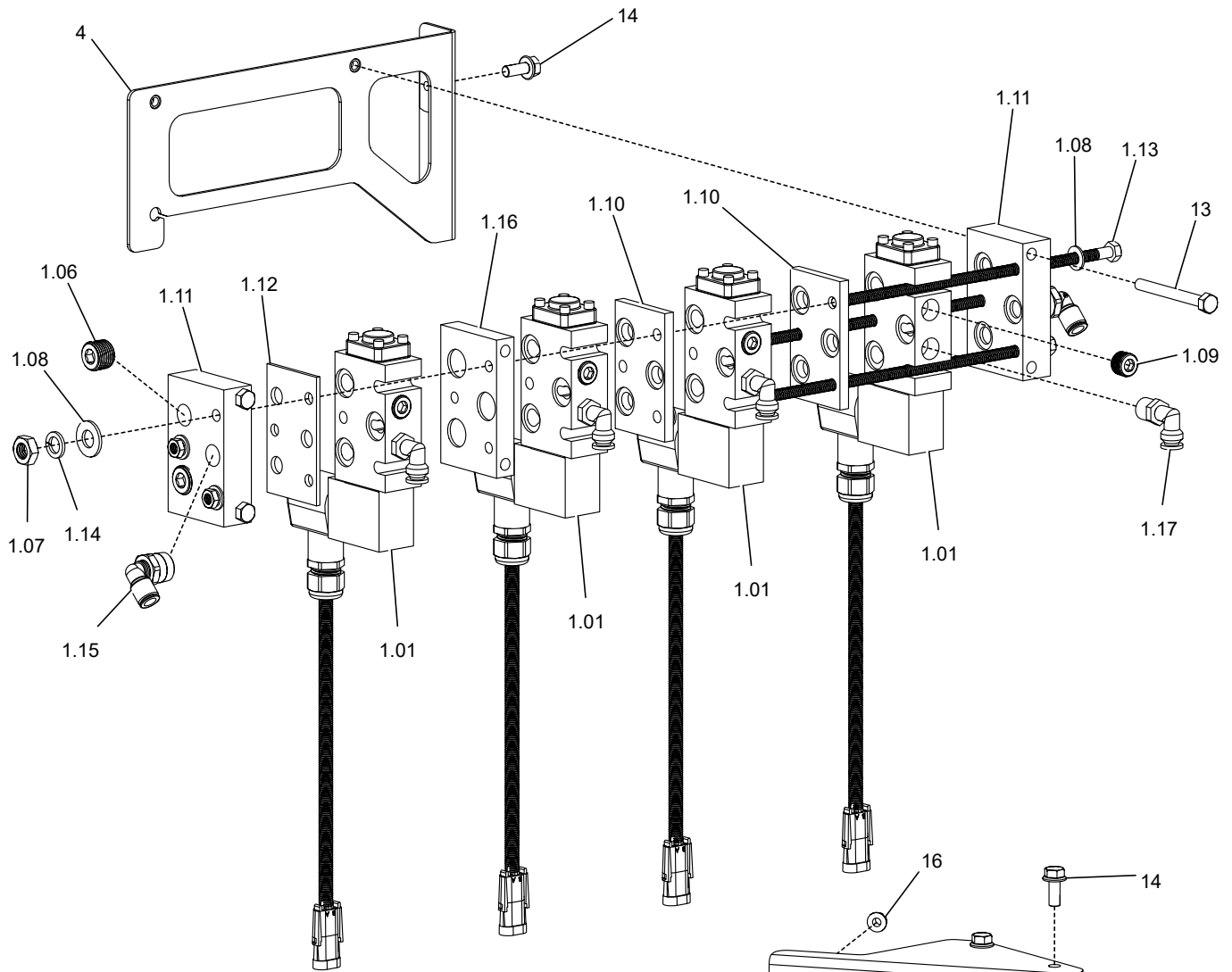
Item	Description	Part Number	Qty
1	DUAL HOSE REEL MOUNT	2603-202-03	1
1.01.1	WASHOUT VALVE MOUNT	2603-085-05	1
1.01.2	BALL VALVE, BRASS	5456-102.30	1
1.01.3	BALL VALVE, POLY	5456-101-004	1
1.01.4	GL NIPPLE	5053-000.20	1
1.01.5	TEE, BRASS	5000-130.20	1
1.01.6	ELBOW 90, POLY	5003-120-002	1
1.01.7	ELBOW 90, PLASTIC	5003-130.30	1
1.01.8	CHECK PUSHLOCK STR	5077-440-000	1
1.01.9	HOSE BARB 90	5401-582	1
1.01.10	PUSHLOCK STR	5077-456-000	1
1.01.11	HOSE ADAPTER	5401-001-005	1
1.01.12	PAN HEAD SCREW	5335-305	2
2	WASHOUT HOSE BRACKET	0891-000-00	1
3	WATER HOSE	5400-163	1
4	WATER NOZZLE	5450-015-000	1
5	BOLT	5309-110-000	2
6	BOLT	5309-008-000	2



Item	Description	Part Number	Qty
1	PNEUMATIC BANK VALVE MOUNT	2581-260-00	1
2	4 VALVE BANK, 24V	2542-626-01	1
3	PNEUMATIC VALVE BRACKET	2603-077-07	1
4	AIR REGULATOR MOUNT	2603-093-03	1
5	AIR REGULATOR ASSEMBLY	2603-447-00	1
6	WATER SHUTOFF VALVE, 24V	2602-999-03	1
7	MIXER HOOK VALVE, 24V	2552-363-02	1
8	PUSHLOCK Y	5077-820-010	1
9	PUSHLOCK REDUCER TEE	5077-822-000	1
10	PUSHLOCK 90	5077-523	1
11	PUSHLOCK UNION Y	5077-820-011	2
12	AIRLINE TUBING	5075-206	77.98'
13	CEMENT BIN VIBRATORS	2603-363-00	1
14	AIRLINE TUBING	5075-204	22.44'
15	BOLT	5309-105-000	2
16	BOLT	5309-106-000	2
17	FLANGE LOCK NUT	5307-020-000	6
18	BOLT	5309-005-000	2
19	BOLT	5309-006-000	4
20	BOLT	5315-124	4
21	FLANGE LOCK NUT	5307-118-000	2
22	SCREW	5335-114-000	3
23	FLAT WASHER	5336-145-003	3
24	FLANGE LOCK NUT	5307-032-060	3
25	WIRE TIE, TREE	5532-205-000	14
26	CUSHION CLAMP	5532-518	1
27	WIRE TIE	5532-108	1

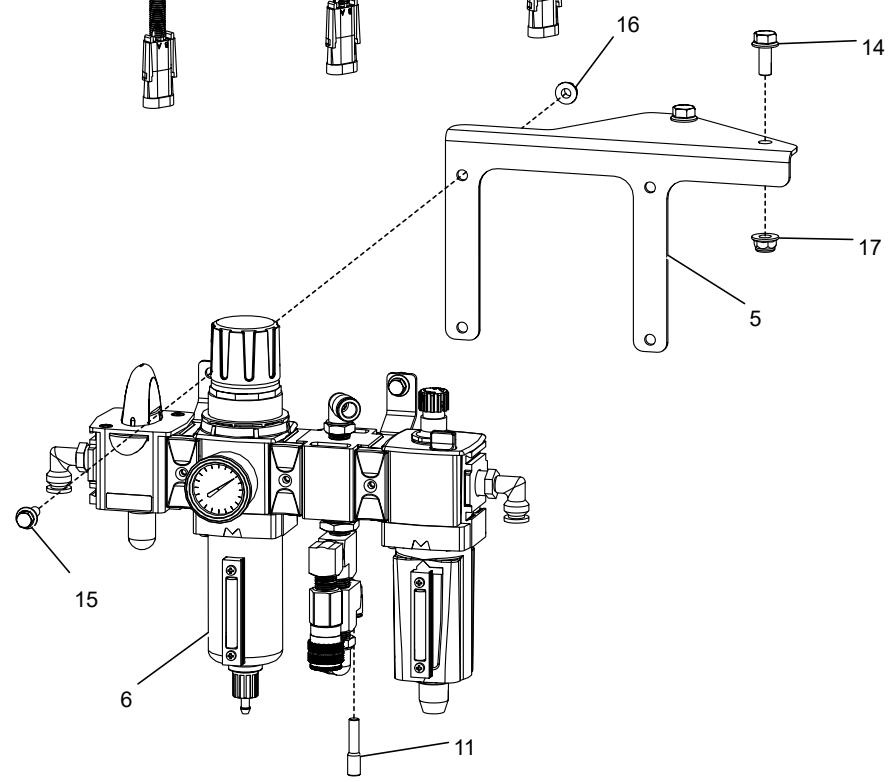
Continued on next page

Pneumatic Valve Bank



Pneumatic

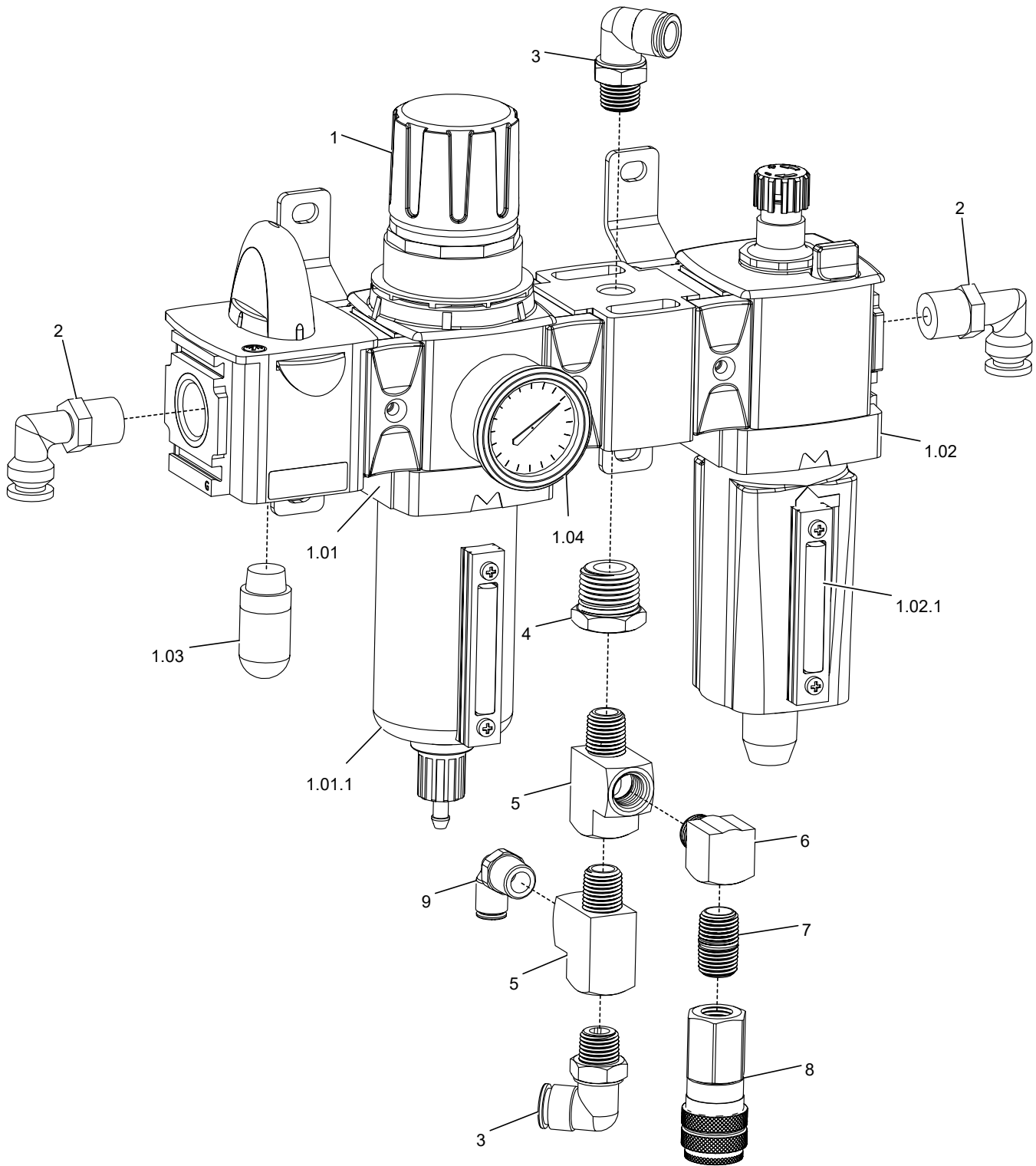
- FLUFFER** 1.05
- SAND** 1.03
- CEMENT** 1.02
- STONE** 1.04



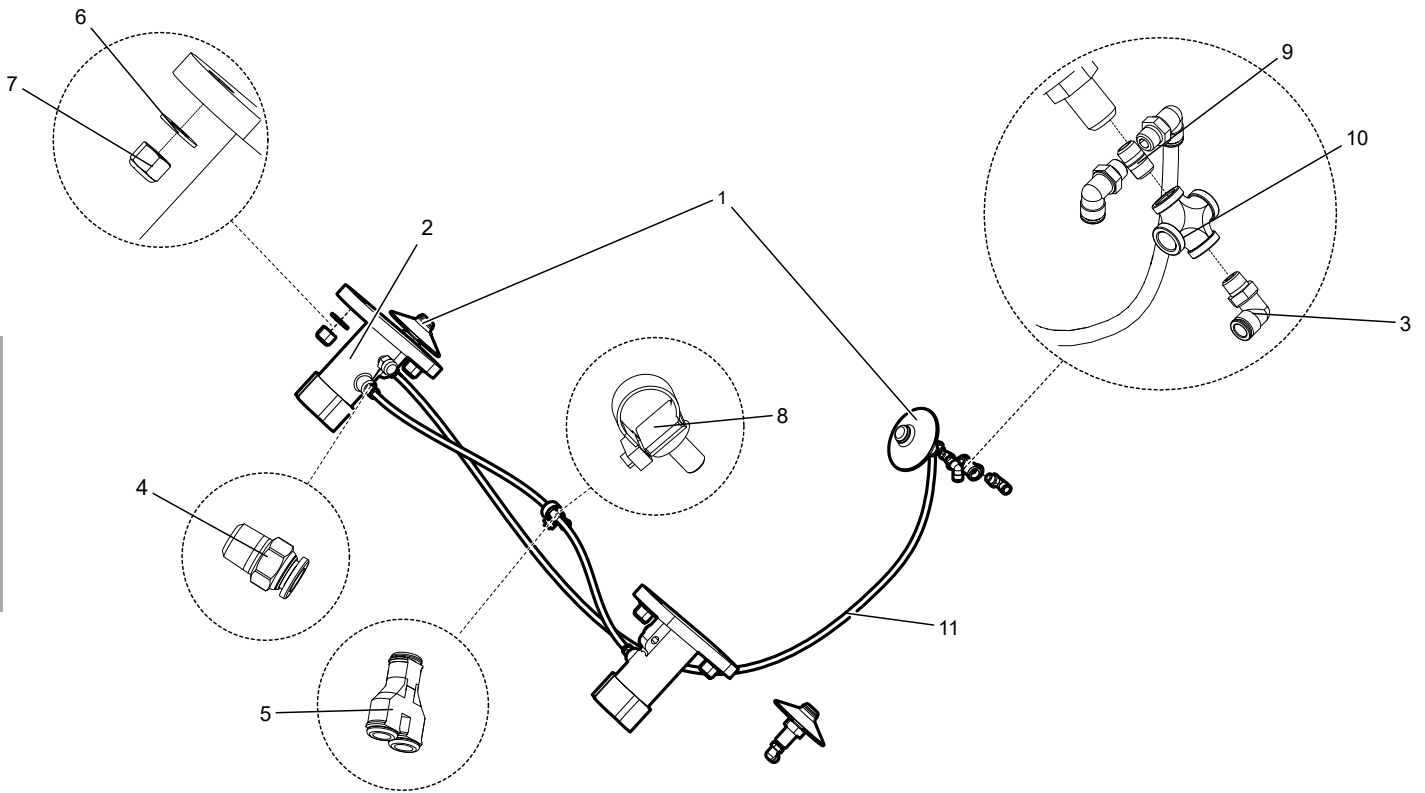
Item	Description	Part Number	Qty
1	VALVE BANK ASSY	2542-626-01	1
1.01	VALVE ASSY	2552-350-50	4
1.02	LABEL, CEMENT	2332-050-05	1
1.03	LABEL, SAND	2332-050-06	1
1.04	LABEL, STONE	2332-050-07	1
1.05	LABEL, FLUFFER	2332-050-13	1
1.06	PLUG	5005-133-001	4
1.07	NUT	5300-118	3
1.08	WASHER	5311-100	6
1.09	PLUG	5005-123-001	4
1.10	SPACER, 5/16"	5405-250-003	2
1.11	END PLATE	5405-250-002	2
1.12	SPACER, 1/8"	5405-250-005	1
1.13	BOLT	5315-143-000	3
1.14	LOCK WASHER	5305-100	3
1.15	PUSHLOCK	5077-545-000	2
1.16	SPACER, 5/8"	5405-250-004	1
1.17	PUSHLOCK	5077-544	4
2	VALVE ASSY, HOOKS	2552-363-24	1
3	VALVE ASSY, WATER	2552-337-24	1
4	MOUNT	2581-260-00	1
5	MOUNT	2581-080-01	1
6	REGULATOR ASSY	2603-447-00	1
7	MOUNT PLATE	2581-259-00	4
8	VIBRATOR		
	VIBRATOR, SILENT	5407-008-001	4
	VIBRATOR, HEAVY	5407-021	4
8.01	EXHAUST	5407-521	1
9	PUSHLOCK	5077-820-011	2
10	PUSHLOCK	5077-544-001	4
11	PUSHLOCK	5077-822-000	1
12	PLUG	5077-421-010	1
13	PUSHLOCK	5077-820-010	1
14	BOLT	5315-124	3
15	FLANGE BOLT	5309-106-000	4
16	FLANGE BOLT	5309-006-000	4
17	FLANGE LOCK NUT	5307-020-000	4
18	FLANGE LOCK NUT	5307-118-000	2
19	SCREW	5335-220-025	2
20	WASHER	5336-145-002	4
21	LOCK NUT	5337-101-003	2
22	LOCK NUT	5302-612	8
23	WASHER	5310-601-000	8
24	WIRE TIE	5532-108	19
25	WIRE TIE, TREE	5532-205-000	2
26	TUBING, 3/8"	5075-206	84.0'
27	TUBING, 1/4"	5075-204	6.5'
28	UNIT AIR SAFETY VALVE	5405-411	1

Continued on next page

Air Regulator



<i>Item</i>	<i>Description</i>	<i>Part Number</i>	<i>Qty</i>
1	REGULATOR ASSY	5402-300-000	1
1.01	WATER FILTER SECTION	5402-300-004	1
1.01.1	WATER CUP	5402-300-005	1
1.02	OILER SECTION	5402-300-006	1
1.02.1	OIL CUP	5402-300-003	1
1.03	MUFFLER	5407-024-104	1
1.04	GAGE	5404-106-000	1
2	PUSHLOCK	5077-544	2
3	PUSHLOCK	5077-544-001	2
4	REDUCER	5010-133-001	1
5	TEE	5000-110-101	2
6	ELBOW	5003-110-001	1
7	NIPPLE	5051-000-200	1
8	COUPLER	5401-004	1
9	PUSHLOCK	5077-523	1

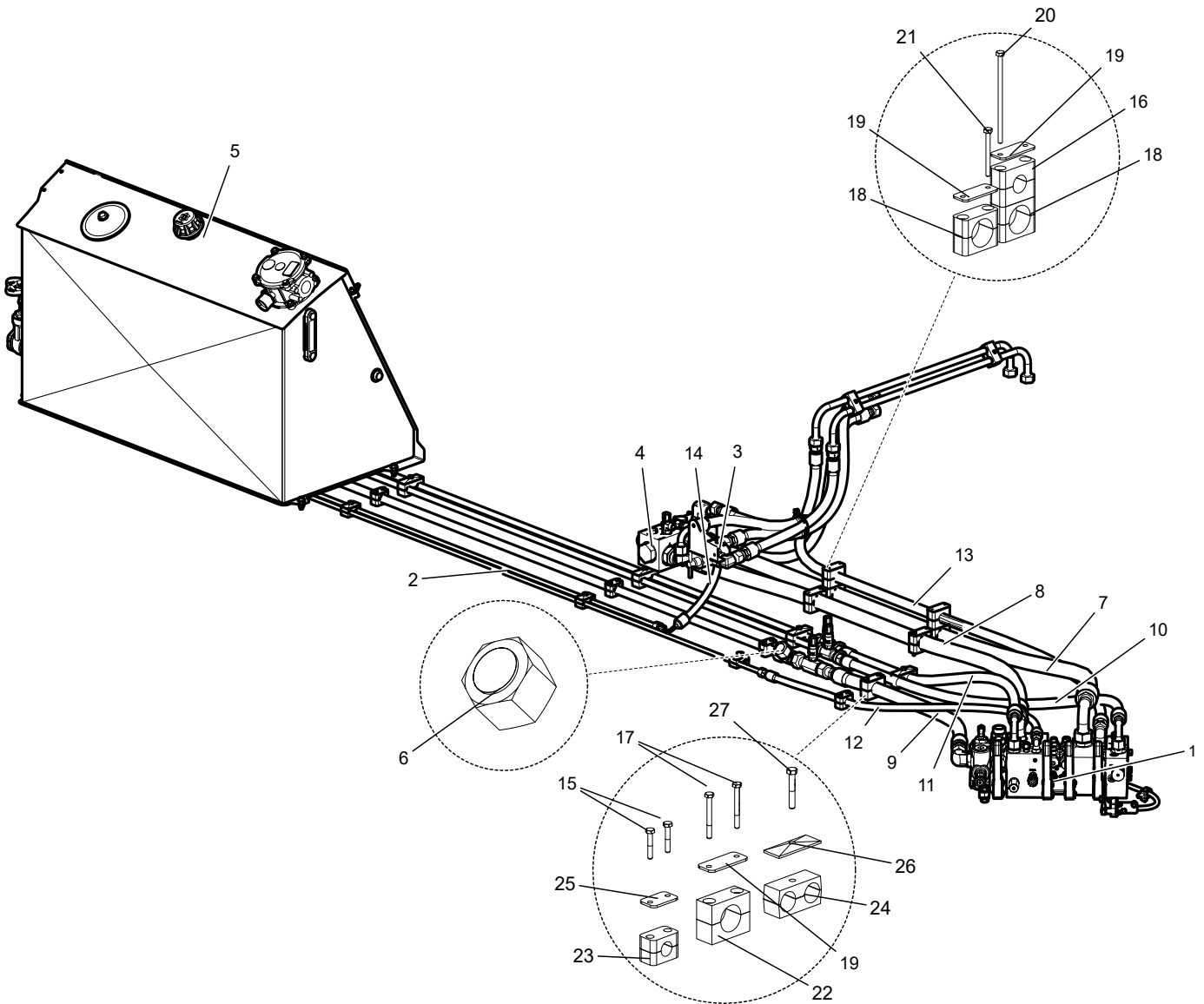


Pneumatic

Item	Description	Part Number	Qty
1	PNEUMATIC BIN AERATOR	5403-202-000	3
2	VIBRATOR	5407-008-001	2
3	PUSHLOCK 90	5077-544-001	5
4	PUSHLOCK STR	5079-444	2
5	PUSHLOCK UNION Y	5077-820-011	1
6	FLAT WASHER	5310-601-000	4
7	LOCK NUT	5302-612	4
8	WIRE TIE, TREE	5532-205-000	1
9	NIPPLE, BRASS	5051-000-200	1
10	CROSS, GALVANIZED	5009-110.10	1
11	AIRLINE TUBE	5075-206	11.52'

Hydraulic System: Mechanical Cement Bin

Hydraulic



Item	Description	Part Number	Qty
1	4-SECTION CONTROL VALVE ¹	2603-338-00	1
	4-SECTION CONTROL VALVE W/ WIRELESS ²	2603-369-04	1
	5-SECTION CONTROL VALVE ³	2603-318-02	1
2	HYDRAULIC TUBES ⁴	2603-315-00	1
3	TRANSFER AUGER SHUTOFF VALVE ⁵	2603-342-00	1
4	RETURN MANIFOLD ⁶	2603-344-00	1
5	HYDRAULIC TANK ⁷	2603-377-03	1
6	HYDRAULIC CAP	5224-FF304-C-16	1
7	HYDRAULIC HOSE	2603-506-00	1
8	HYDRAULIC HOSE	2603-507-00	1
9	HYDRAULIC HOSE	2603-508-00	1
10	HYDRAULIC HOSE	2603-509-00	1
11	HYDRAULIC HOSE	2603-510-00	1
12	HYDRAULIC HOSE	2603-511-00	1
13	HYDRAULIC HOSE	2603-512-00	1
14	HYDRAULIC HOSE	2603-513-00	1
15	CLAMP BOLT	5370-405-003	2
16	CLAMP BODY	5370-406-001	2
17	CLAMP BOLT	5370-406-003	2
18	CLAMP BODY	5370-406-004	4
19	COVER PLATE	5370-406-002	5
20	BOLT	5315-044-000	4
21	BOLT	5315-022-000	4
22	CLAMP BODY	5370-406-005	1
23	CLAMP BODY	5370-405-005	1
24	CLAMP BODY	5370-428.01	1
25	COVER PLATE	5370-405-002	1
26	COVER PLATE	5370-428.05	1
27	CLAMP BOLT	5370-428.07	1

¹ see 4-Section Control Valve on page 116 for components

² see 4-Section Control Valve on page 118 for components

³ see 5-Section Control Valve on page 120 for components

⁴ see Hydraulic Tubes on page 122 for components

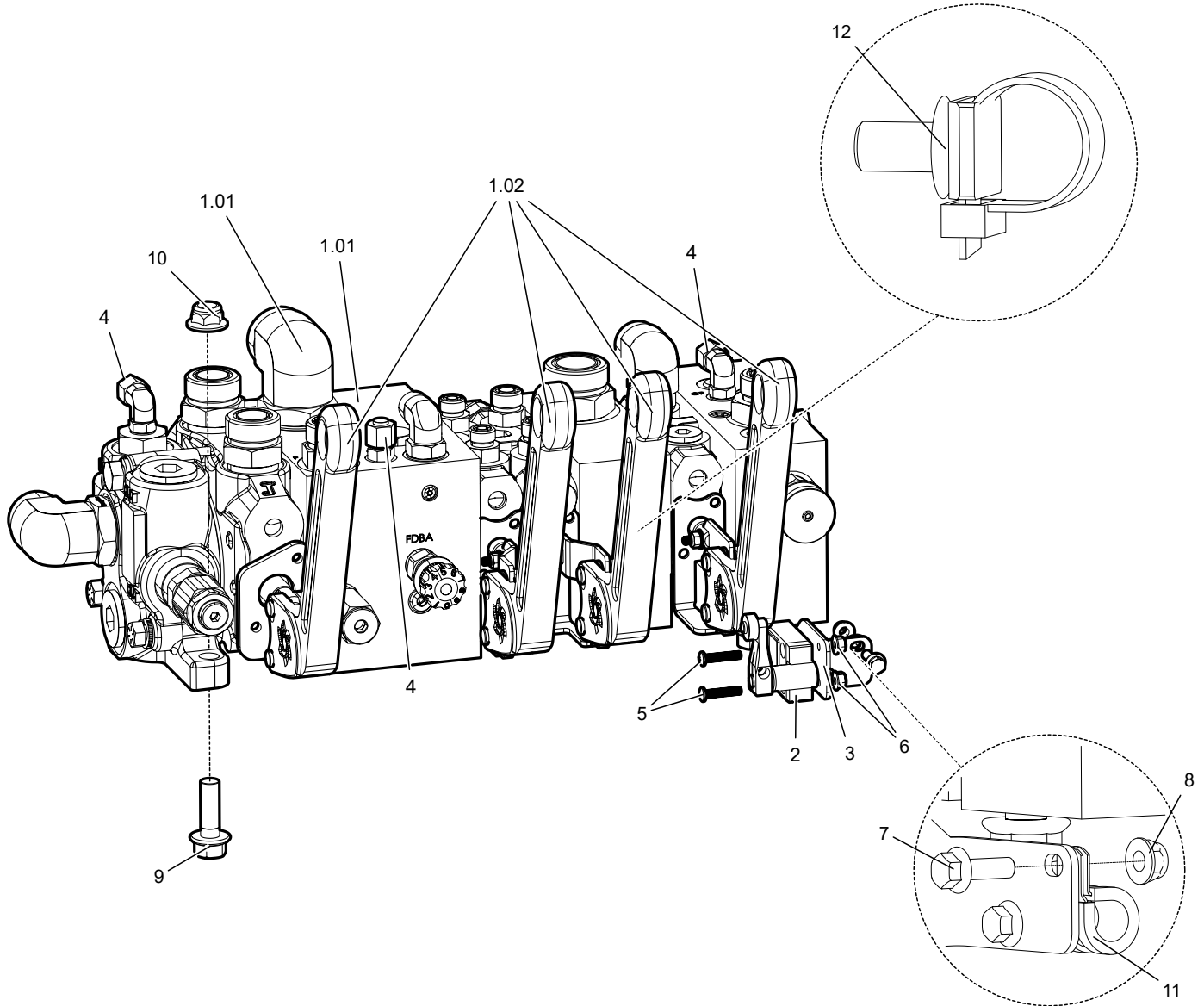
⁵ see Return Manifold on page 124 for components

⁶ see Transfer Auger Shutoff on page 126 for components

⁷ see Hydraulic Tank on page 128 for components

Control Valve: 4 Section, Standard

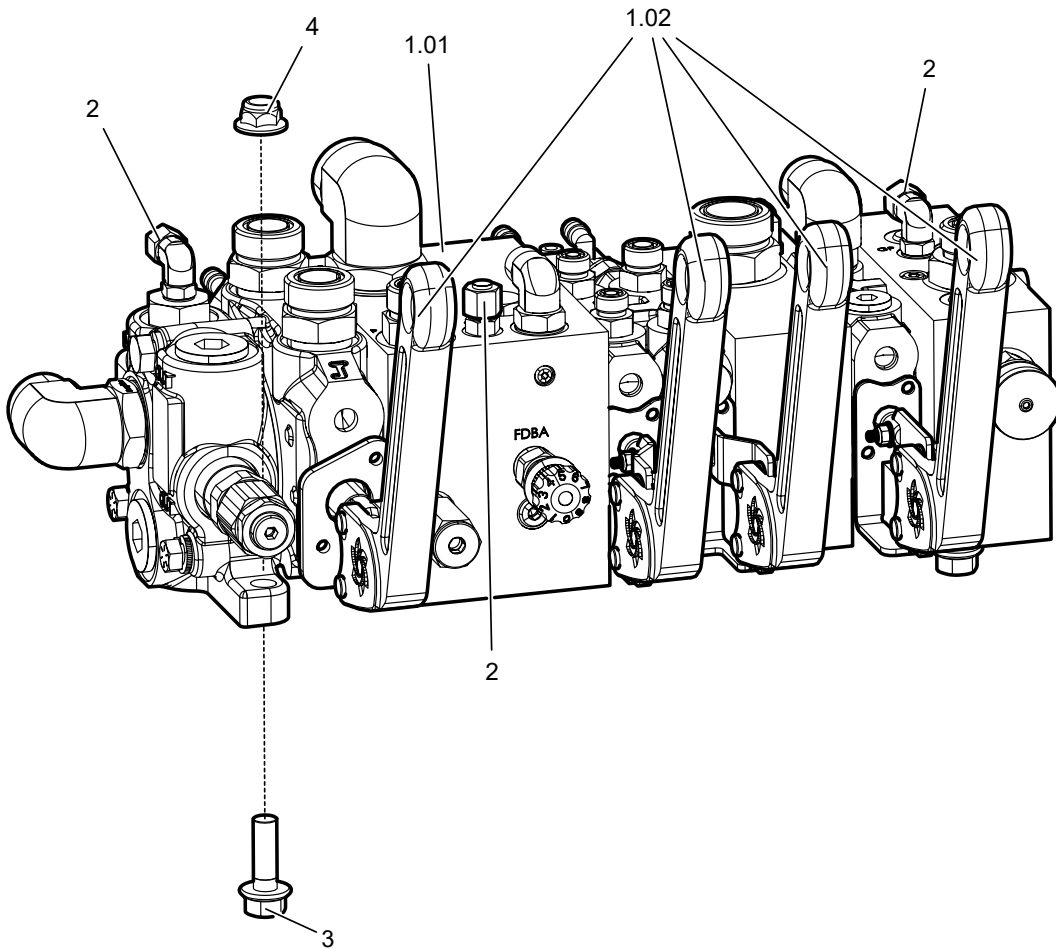
Hydraulic



Control Valve: 4 Section, Standard

Item	Description	Part Number	Qty
	VALVE ASSEMBLY	2573-406-00	1
1.01	4 SECTION VALVE, NO HANDLES	5227-562-000	1
1.01	VALVE HANDLE	2573-042-00	4
2	ROLLER SWITCH ASSEMBLY	2439-337-00	1
3	ROLLER SWITCH BRACKET	2603-064-03	1
4	HEX CAP	5223-097-001	3
5	PAN HEAD SCREW	5335-330-001	2
6	FLANGE LOCK NUT	5307-032-100	2
7	BOLT	5309-006-000	2
8	FLANGE LOCK NUT	5307-020-000	2
9	BOLT	5309-412-000	2
10	BOLT	5309-410-000	1
11	FLANGE LOCK NUT	5307-413-000	2
12	CUSHION CLAMP	5532-514	1
13	WIRE TIE, TREE	5532-205-000	2

Control Valve: 4 Section, w/ Wireless Remote

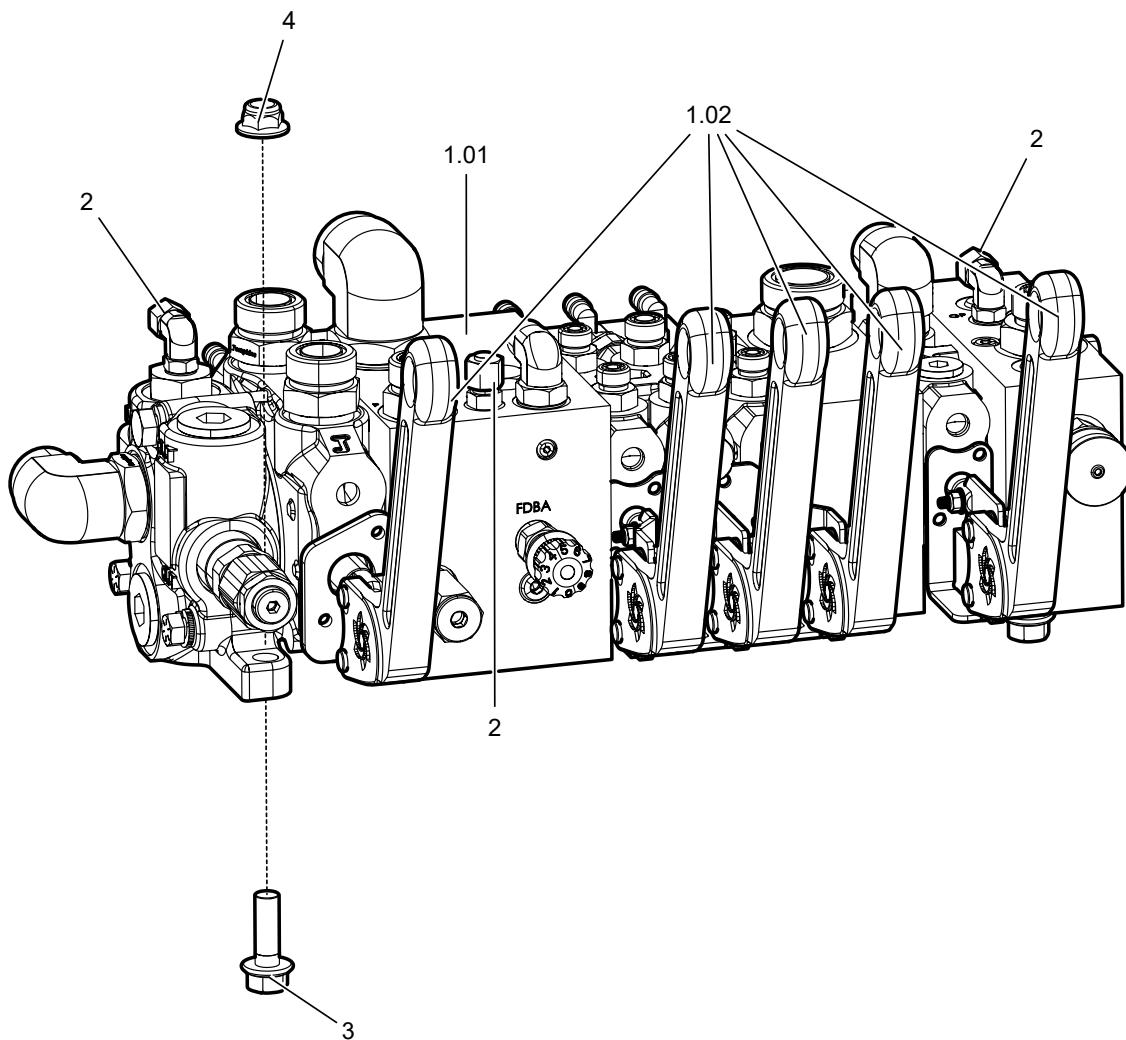


Hydraulic

Control Valve: 4 Section, w/ Wireless Remote

Item	Description	Part Number	Qty
	VALVE ASSEMBLY	2573-407-00	1
1.01	4 SECTION VALVE, NO HANDLES	5227-566-000	1
1.01	VALVE HANDLE	2573-042-00	4
2	HEX CAP	5223-097-001	3
3	BOLT	5309-412-000	2
4	BOLT	5309-410-000	1
5	FLANGE LOCK NUT	5307-413-000	2

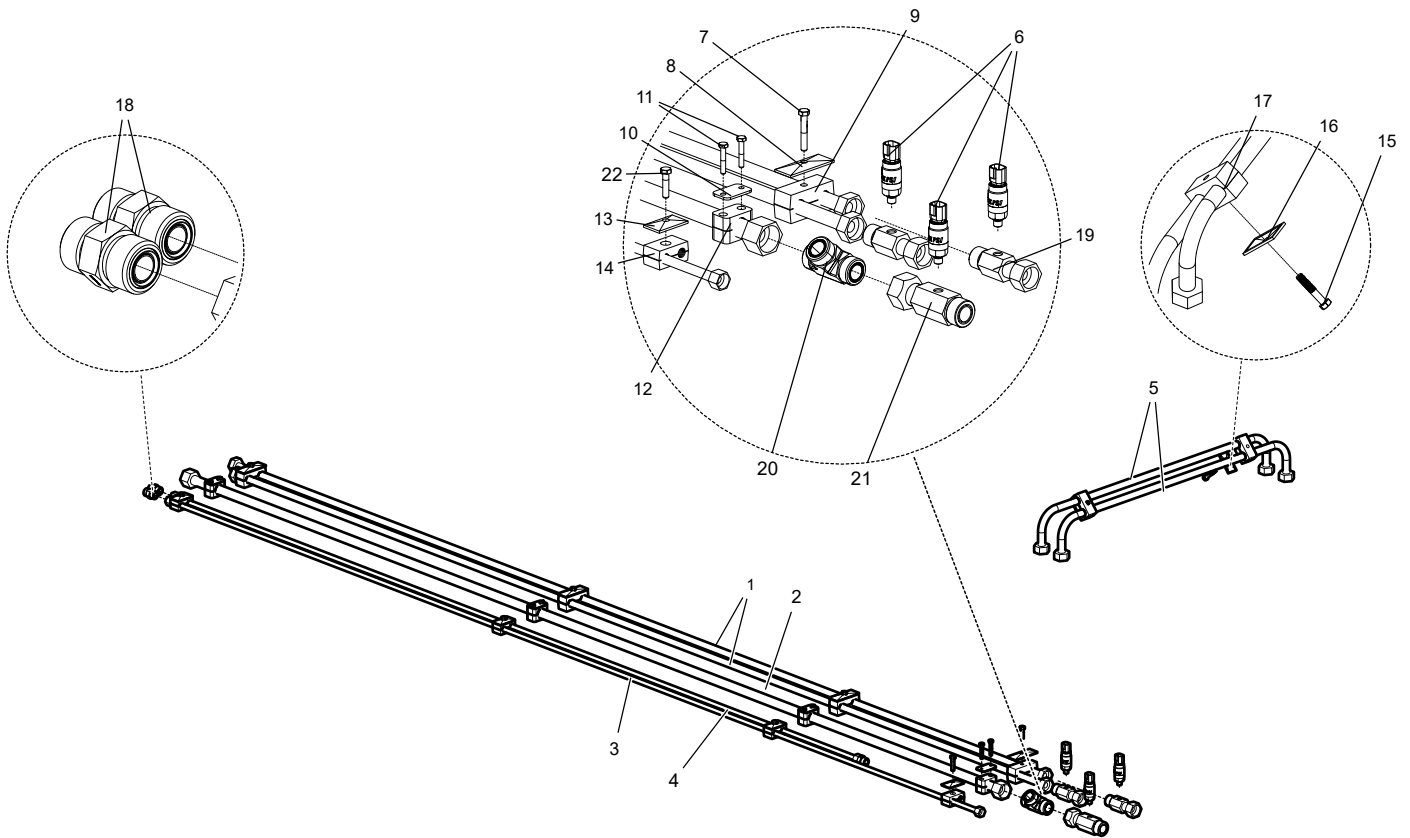
Control Valve: 5 Section, Standard



Hydraulic

Control Valve: 5 Section, Standard

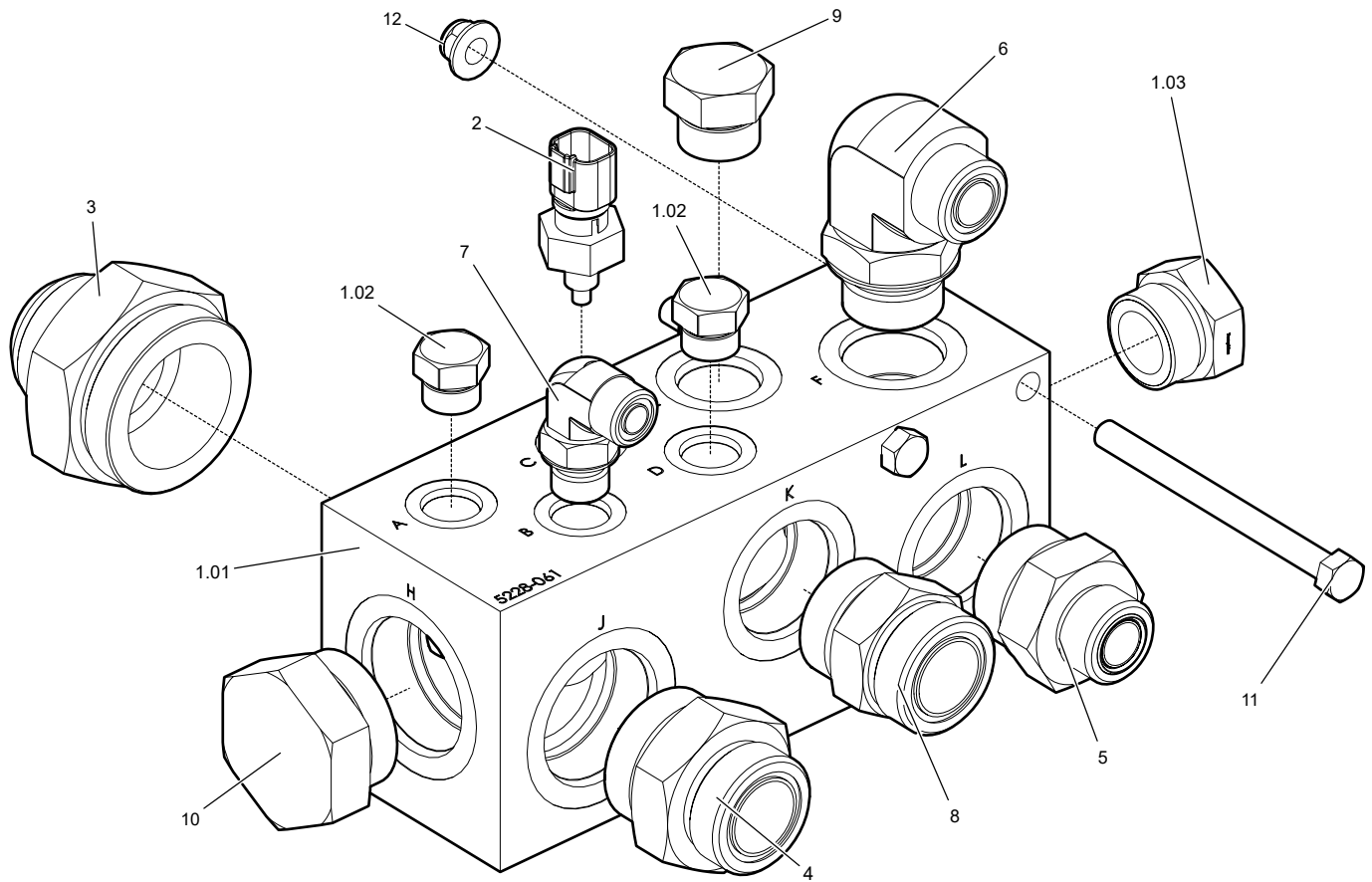
<i>Item</i>	<i>Description</i>	<i>Part Number</i>	<i>Qty</i>
	VALVE ASSEMBLY	2573-410-00	1
1.01	5 SECTION VALVE, NO HANDLES	5227-567-000	1
1.01	VALVE HANDLE	2573-042-00	5
2	HEX CAP	5223-097-001	3
3	BOLT	5309-412-000	2
4	BOLT	5309-410-000	1
5	FLANGE LOCK NUT	5307-413-000	2



Hydraulic

Item	Description	Part Number	Qty
1	HYDRAULIC TUBE ASSY	5221-025-000	2
2	HYDRAULIC TUBE ASSY	5221-023-000	1
3	HYDRAULIC TUBE ASSY	5221-027-000	1
4	HYDRAULIC TUBE ASSY	5221-029-000	1
5	HYDRAULIC TUBE ASSY	522-028-000	2
6	HYDRAULIC XDGR	5524-500-062	3
7	CLAMP BOLT	5370-428.07	4
8	COVER PLATE	5370-428.05	4
9	CLAMP BODY	5370-428-008	4
10	COVER PLATE	5370-405-002	4
11	CLAMP BOLT	5370-405-003	8
12	CLAMP BODY	5370-405-001	4
13	COVER PLATE	5370-403-002	4
14	CLAMP BODY	5370-403-001	4
15	CLAMP BOLT	5370-419.07	2
16	COVER PLATE	5370-419.05	2
17	CLAMP BODY	5370-419.01	2
18	HYDRAULIC UNION	5223-099-001	3
19	GAUGE PORT	5223-078-002	2
20	HYDRAULIC TEE	5223-011-002	1
21	GAUGE PORT	5223-091-002	1
22	CLAMP BOLT	5370-403-003	4

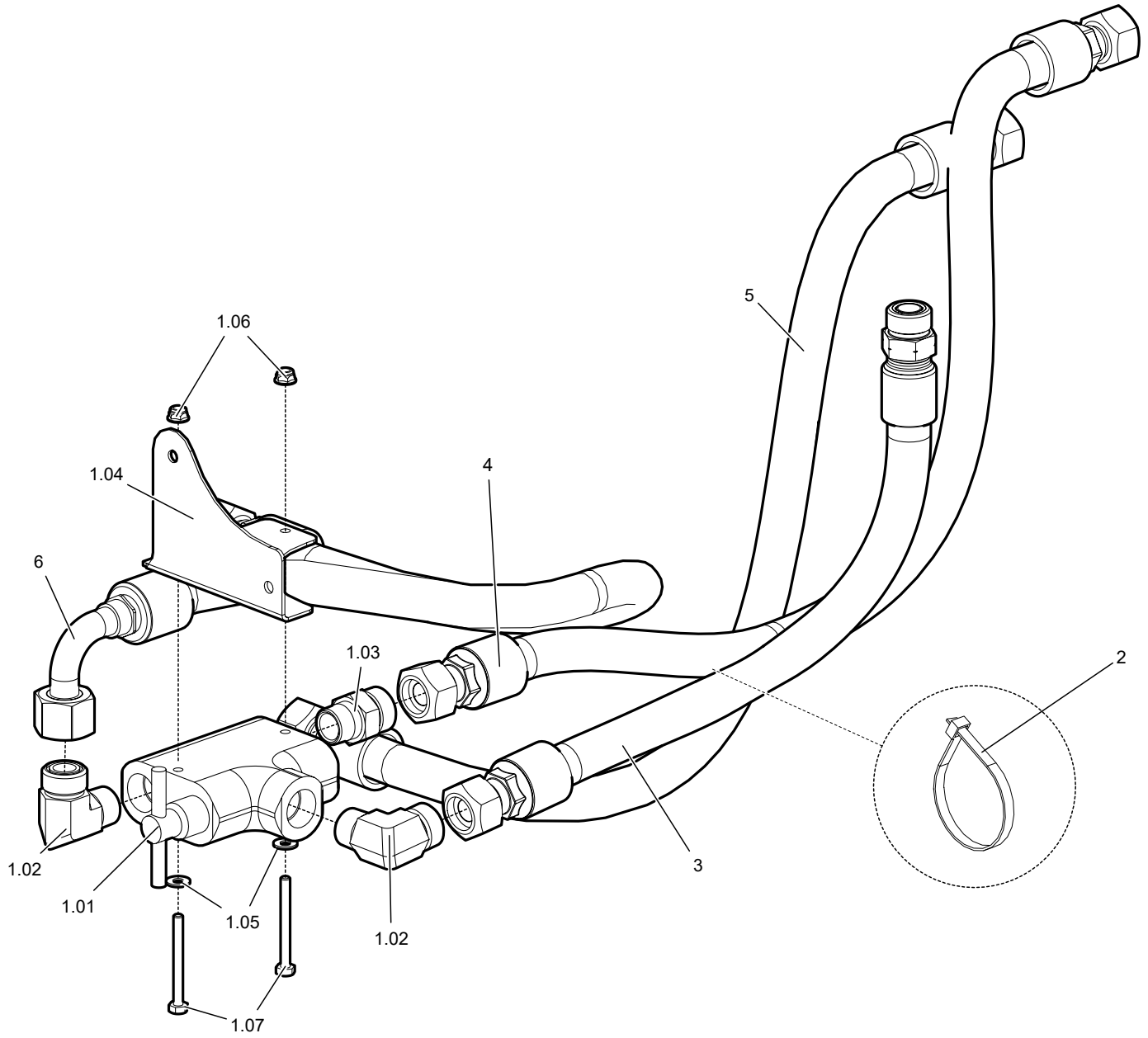
Return Manifold



Item	Description	Part Number	Qty
1.01	RETURN MANIFOLD	5228-061	1
1.02	HEX PLUG	5224-6408-08	2
1.03	HEX PLUG	5224-6408-16	1
2	RATIOMETRIC SENSOR	5524-115-010	1
3	HYDRAULIC CONNECTOR	5224-6400-24-32	1
4	HYDRAULIC CONNECTOR	5226-001-003	1
5	HYDRAULIC CONNECTOR	5223-022-002	1
6	HYDRAULIC ELBOW	5223-036-001	1
7	HYDRAULIC ELBOW	5223-020-001	1
8	HYDRAULIC CONNECTOR	5223-072-001	1
9	HEX PLUG	5224-6408-12	1
10	HEX PLUG	5224-6408-24	1
11	BOLT	5315-236	3
12	FLANGE LOCK NUT	5307-216-000	3

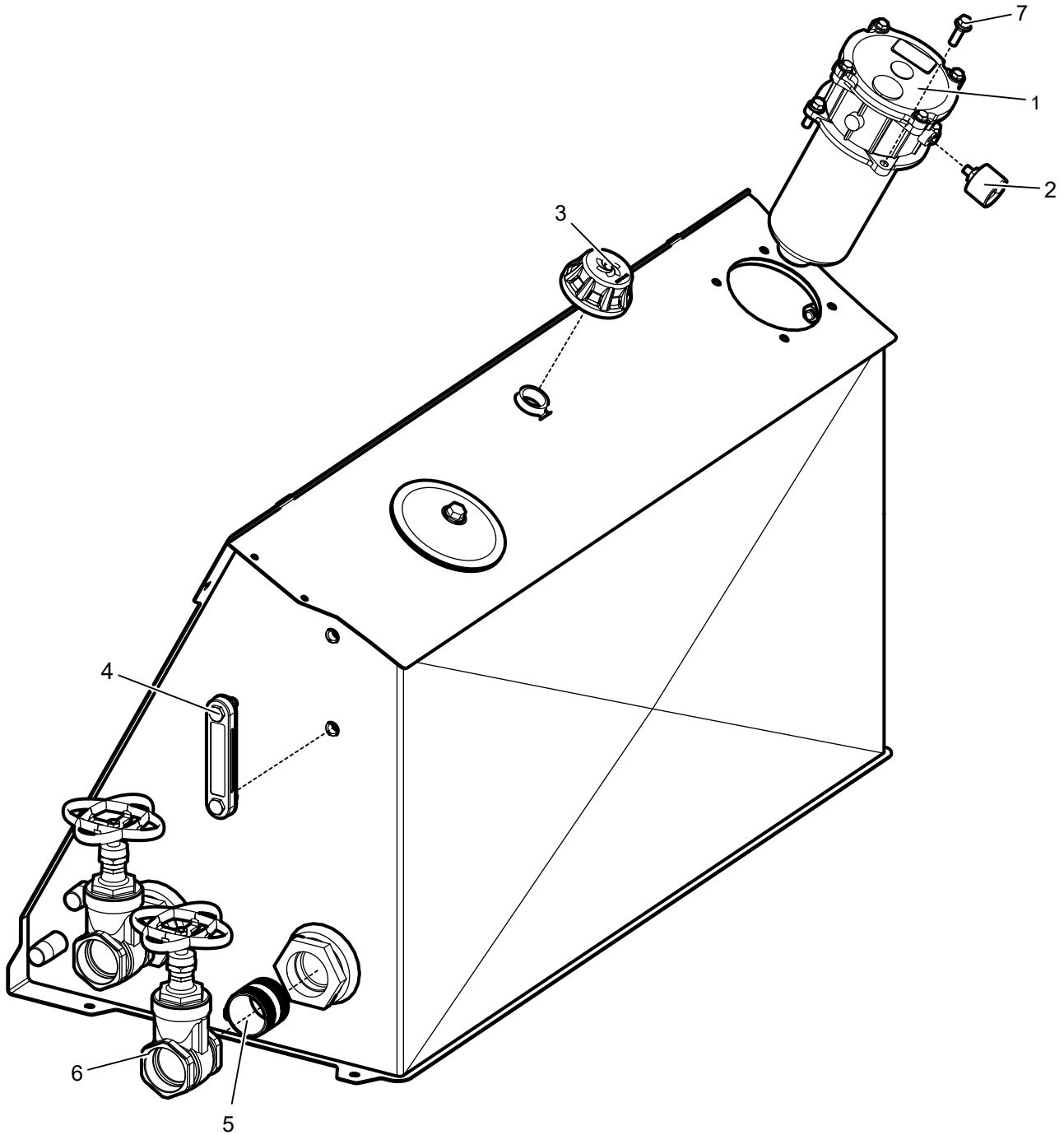
Transfer Auger Shutoff

Hydraulic



Item	Description	Part Number	Qty
1	SELECTOR VALVE ASSEMBLY	2603-420-00	1
1.01	SELECTOR VALVE	5227-009A	1
1.02	HYDRAULIC ELBOW	5223-022-001	2
1.03	HYDRAULIC CONNECTOR	5223-024-001	1
1.04	VALVE BRACKET	2603-062-03	1
1.05	FLAT WASHER	5311-000-000	2
1.06	FLANGE LOCK NUT	5307-020-000	2
1.07	BOLT	5315-020	2
2	WIRE TIE	5532-115	1
3	HYDRAULIC HOSE	2603-500-00	1
4	HYDRAULIC HOSE	2603-501-00	1
5	HYDRAULIC HOSE	2603-502-00	1
6	HYDRAULIC HOSE	2603-503-00	1

Hydraulic Tank



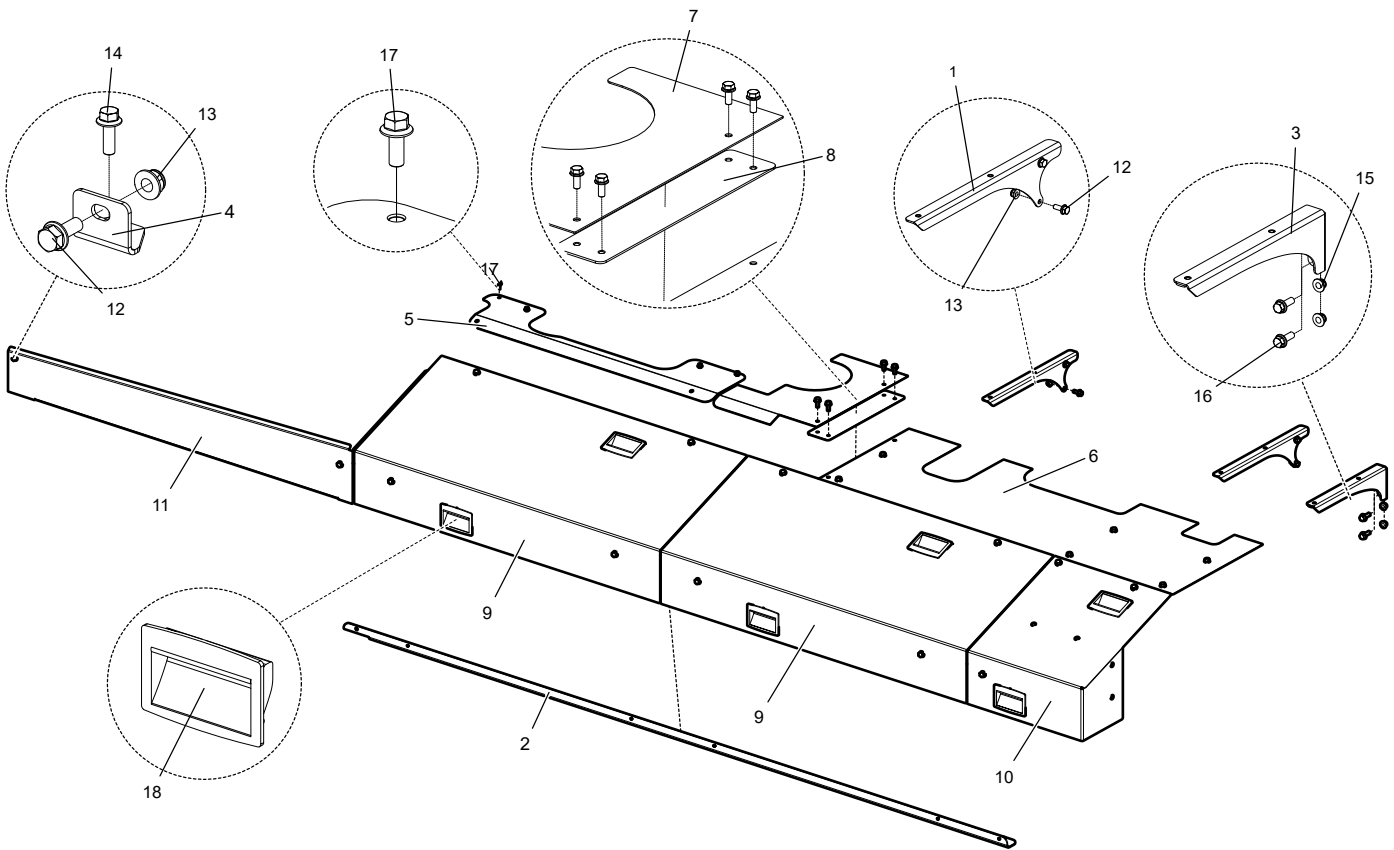
Hydraulic

Item	Description	Part Number	Qty
1	SINGLE RETURN FILTER ¹	5229-227-000	1
2	GAUGE FILTER INDICATOR DIAL	5231-001.01	1
3	CAP VENT ¹	5257-044-000	1
4	GAGE PLASTIC LEVEL	5231-007-002	2
5	NIPPLE	5058-000-001	2
6	GATE VALVE	5456-307	2
7	BOLT	5309-210-000	4
8	HYD TANK 70 GALLON	2603-207-03	1

REPLACEMENT KITS			
Item	Description	Part Number	QTY
RK1	FILTER REPLACEMENT KIT ¹	2542-917-00	1
RK2	RETURN FILTER NBR SEAL KIT	5229-227-002	1

^{NOTE} Number denotes part included in kit

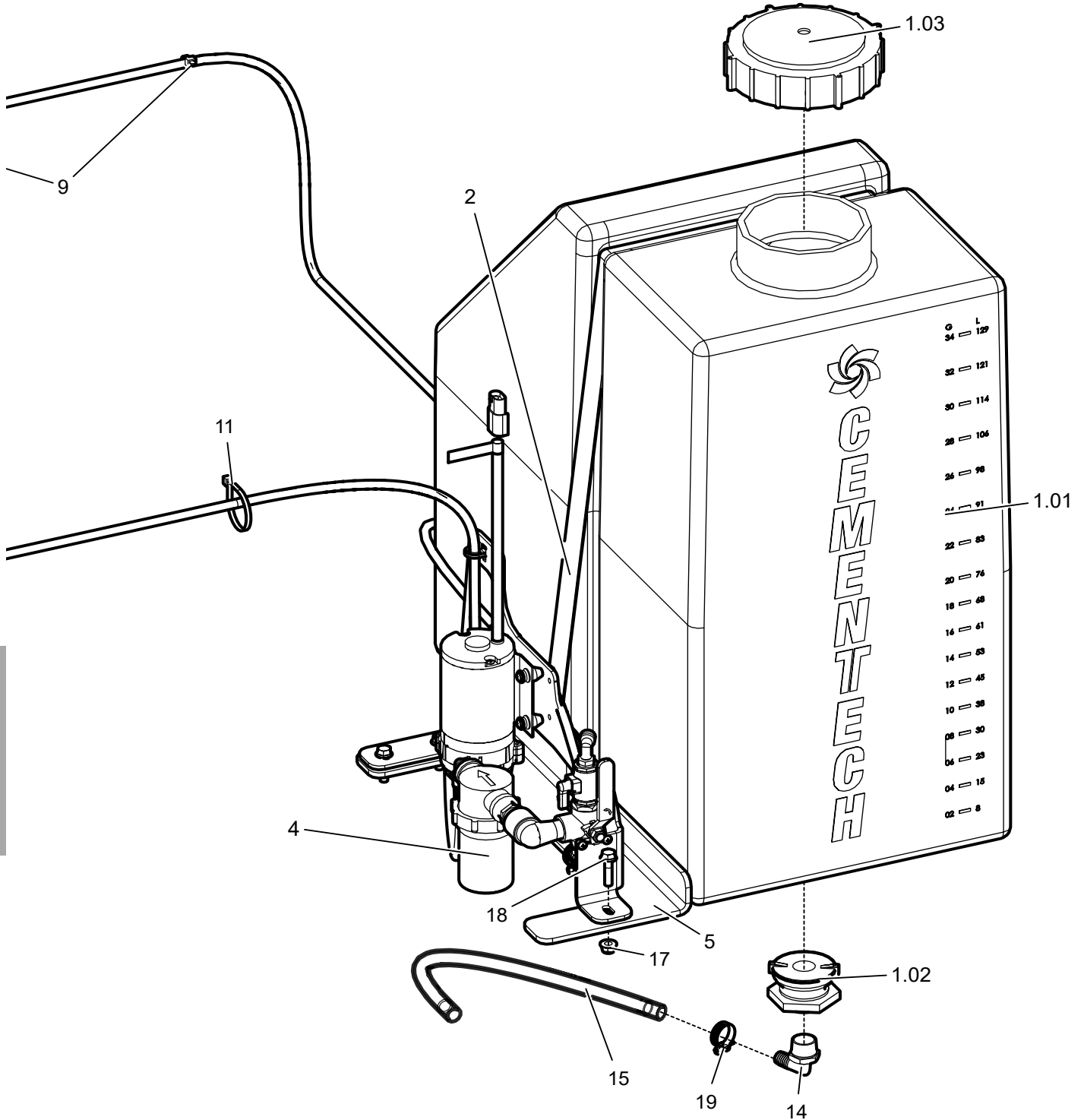
Hydraulic Valve Covers



Hydraulic

Item	Description	Part Number	Qty
1	TOP PANEL MOUNT, FRONT/MID	2603-248-01	2
2	FRONT COVER MOUNT	2603-294-02	1
3	TOP PANEL MOUNT, REAR	2603-221-02	1
4	COVER, HYD TANK	2603-080-10	1
5	COVER, OIL COOLER	2603-269-02	1
6	COVER, REAR TOP	2603-265-03	1
7	COVER, TOP GATE WALL	2603-085-10	1
8	GATE WALL PANEL MOUNT	2603-297-02	1
9	SIDE PANEL, MID	2603-242-01	2
10	SIDE PANEL, REAR QTR	2603-220-02	1
11	SIDE PANEL, WATER PIPE	2603-048-05	1
12	BOLT	5309-106-000	27
13	FLANGE LOCK NUT	5307-118-000	5
14	BOLT	5309-006-000	5
15	FLANGE LOCK NUT	5307-216-000	2
16	BOLT	5309-208-000	2
17	BOLT	5309-005-000	4
18	SNAP-IN HANDLE	5370-032-000	6

Admixture Tank Assembly



Admixture

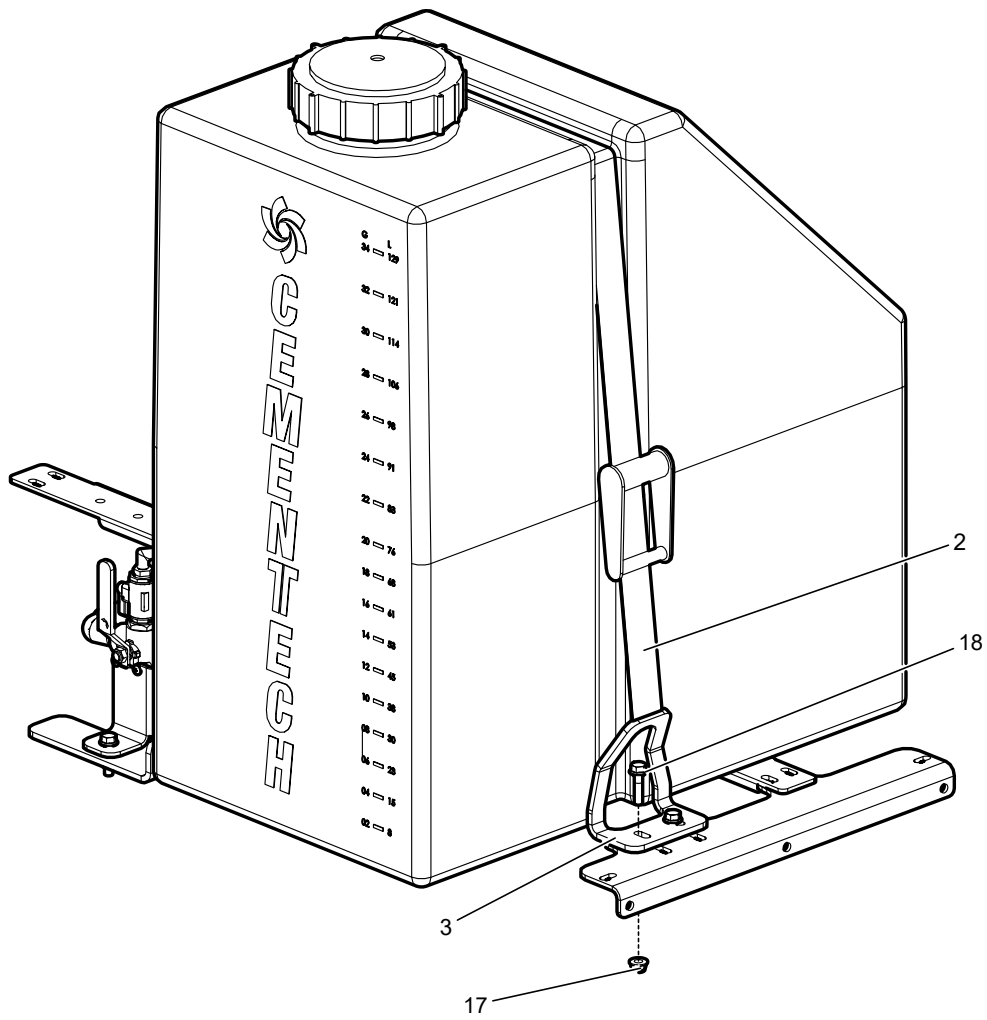
Item	Description	Part Number	Qty
1.01	ADMIX TANK, 132L ¹	5457-135-001	1
1.02	TANK BULKHEAD ¹	5457-912A	1
1.03	ADMIX TANK CAP ¹	5457-904	1
2	RATCHET STRAP	5380-001-00	1
4	LOW FLOW PUMP ASSY ²	2603-437-02	1
5	REAR BAY TANK MOUNT	2603-036-12	1
9	WIRE TIE, TREE	5532-205-000	3
11	WIRE TIE	5532-108	2
14	HOSE BARB 90	5401-583	1
15	VINYL TUBE	5075-808	1.43'
17	FLANGE LOCK NUT	5307-118-000	7
18	BOLT	5309-110-000	7
19	HOSE CLAMP	5370-510	2

¹ included in RK1

² see Low Flow Admix Pump on page 150 for components

Replacement Kits			
Item	Description	Part Number	Qty
RK1	132 LITRE TANK, CAP, & FITTINGS	2603-462-02	1

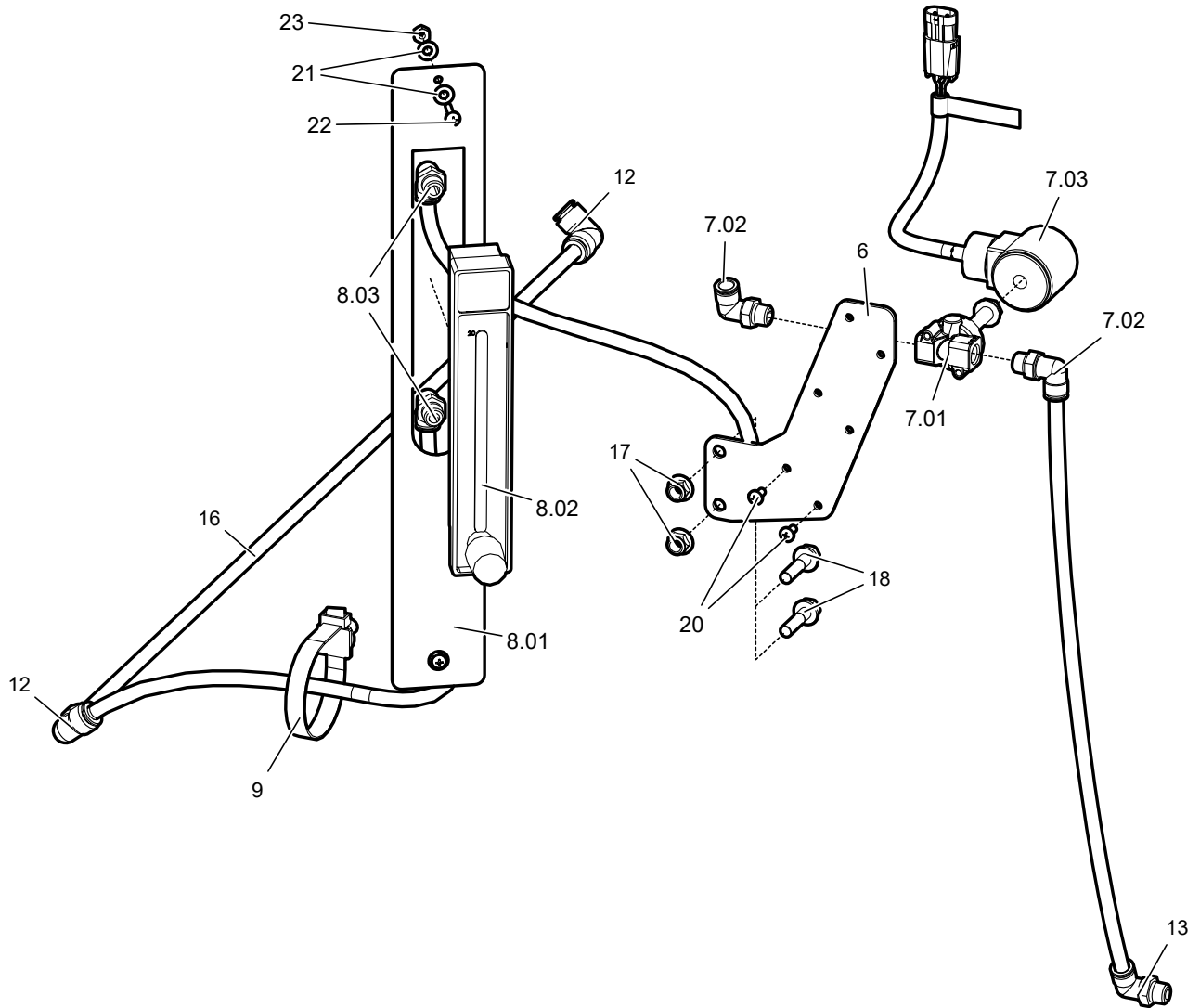
Admixture Tank Assembly



Admixture

<i>Item</i>	<i>Description</i>	<i>Part Number</i>	<i>Qty</i>
2	RATCHET STRAP	5380-001-00	1
3	TANK STRAP BRACKET	2603-054-06	1
17	FLANGE LOCK NUT	5307-118-000	7
18	BOLT	5309-110-000	7

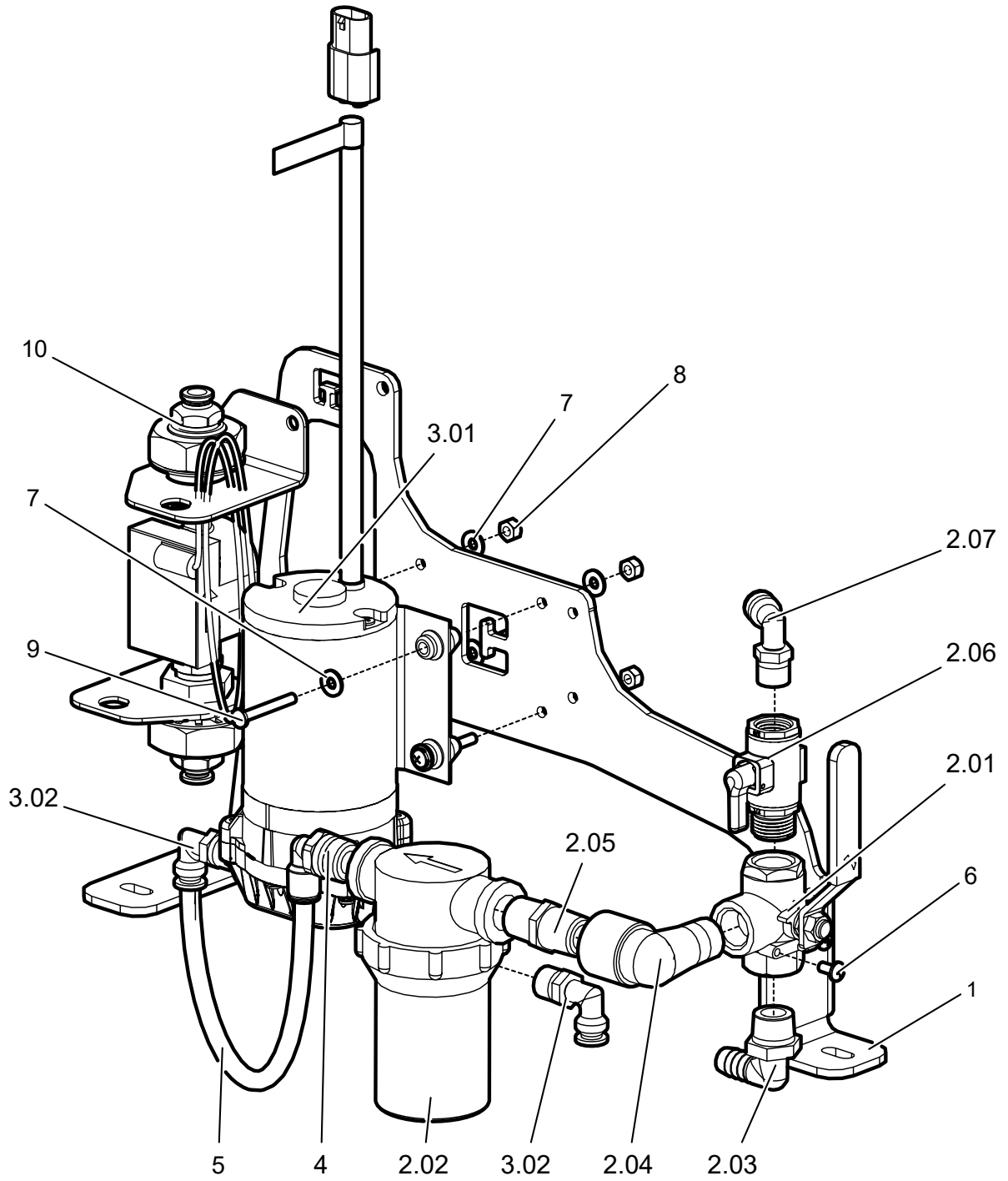
Admixture Discharge & Flow Meter



Admixture

Item	Description	Part Number	Qty
6	VALVE MOUNT	2603-069-08	1
7	ADMIX VALVE ASSEMBLY	2603-442-01	1
7.01	ELECTRIC VALVE	5405-218-000	1
7.02	PUSHLOCK 90	5077-544-001	2
7.03	SHUTOFF COIL, 24V	2552-302-00	1
8	ADMIX FLOWMETER & CONTRTOL	2603-436-02	1
8.01	CONTROL PANEL BANK	2096-090-03	1
8.02	FLOWMETER	5453-001	1
8.03	PUSHLOCK 90	5077-544-001	2
9	WIRE TIE, TREE	5532-205-000	3
12	PUSHLOCK 90	5077-620-000	2
13	PUSHLOCK 90	5077-544-001	1
16	VINYL TUBE	5075-206	32.21'
17	FLANGE LOCK NUT	5307-118-000	7
18	BOLT	5309-110-000	7
20	SCREW	5335-305	2
21	FLAT WASHER	5336-145-001	4
22	SCREW	5335-320-002	2
23	LOCK WASHER	5337-102-002	2

Low Flow Admixture Pump



Admixture

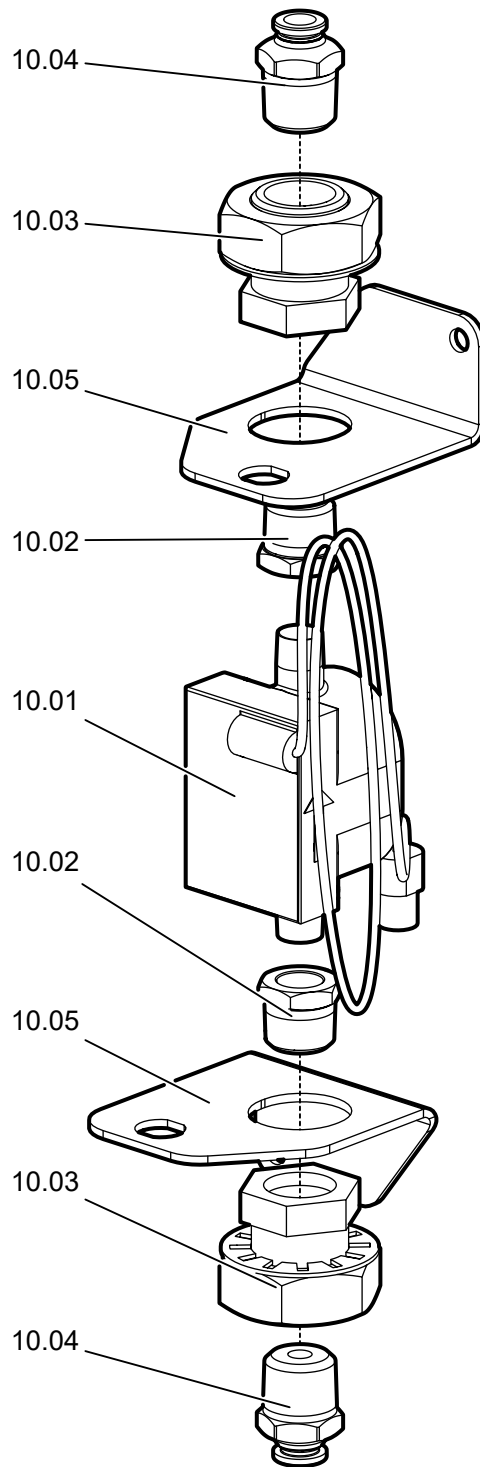
Item	Description	Part Number	Qty
1	ADMIX PUMP BRACKET	2603-080-07	1
2	ADMIX VALVE & STRAINER ASSY	2603-435-02	1
2.01	BALL VALVE	5456-102.30	1
2.02	ADMIX STRAINER ¹	5451-208	1
2.03	HOSE BARB 90	5401-582	1
2.04	ELBOW 90, PLASTIC	5003-130.30	1
2.05	NIPPLE, PLASTIC	5053-000.30	1
2.06	BALL VALVE	5456-101-004	1
2.07	PUSHLOCK 90	5077-544	1
3	ADMIX PUMP SUB-ASSY	2603-443-01	1
3.01	ELECTRIC PUMP	2439-302-77	1
3.02	PUSHLOCK 90	5077-544	2
4	PUSHLOCK 90	5077-545-000	1
5	VINYL TUBE	5075-206	0.92'
6	SCREW	5335-305	2
7	FLAT WASHER	5336-145	8
8	LOCK NUT	5337-33201	4
9	SCREW	5335-332-001	4
10	ADMIX RECEEDING METER	2603-430-01	1

REPLACEMENT KITS

Item	Description	Part Number	QTY
RK1	FILTER REPLACEMENT KIT ¹	2542-916-00	1
RK2	RETURN FILTER NBR SEAL KIT	5229-227-002	1

^{NOTE} Number denotes part included in kit

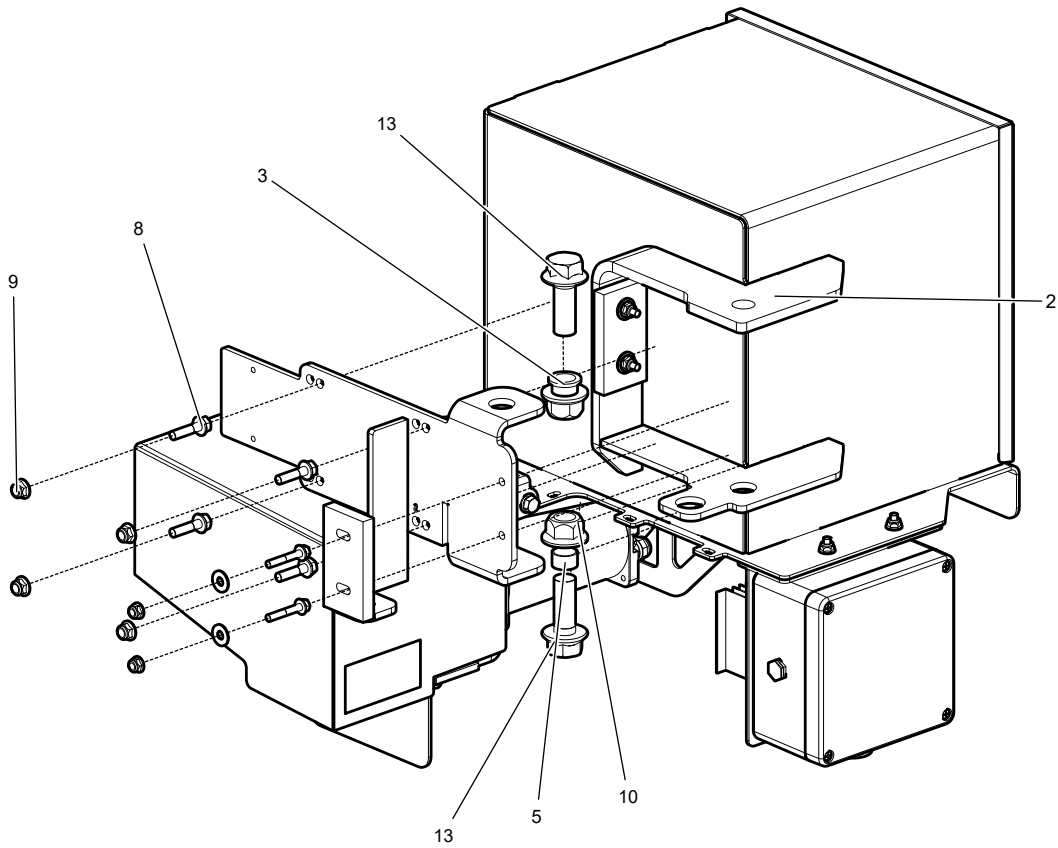
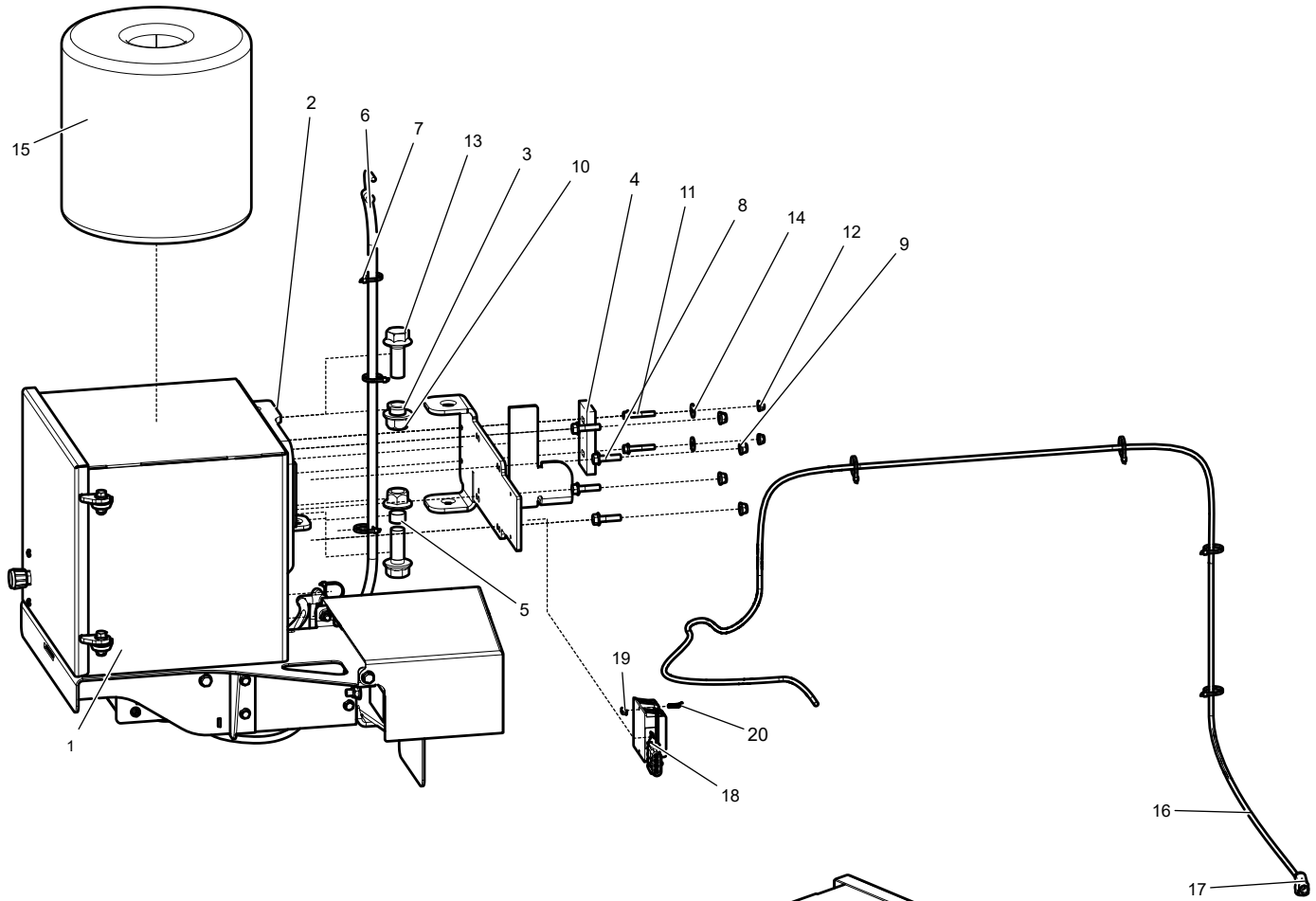
Low Flow Admixture Recording Meter



Low Flow Admixture Recording Meter

<i>Item</i>	<i>Description</i>	<i>Part Number</i>	<i>Qty</i>
10.01	FLOWMETER	5453-037-250	1
10.02	HEX REDUCER	5010-133-001	2
10.03	BULKHEAD FITTING	5457-940-003	2
10.04	PUSHLOCK STR	5077-456-000	2
10.05	FLOWMETER BRACKET	2603-087-08	2

Fiber Chopper System

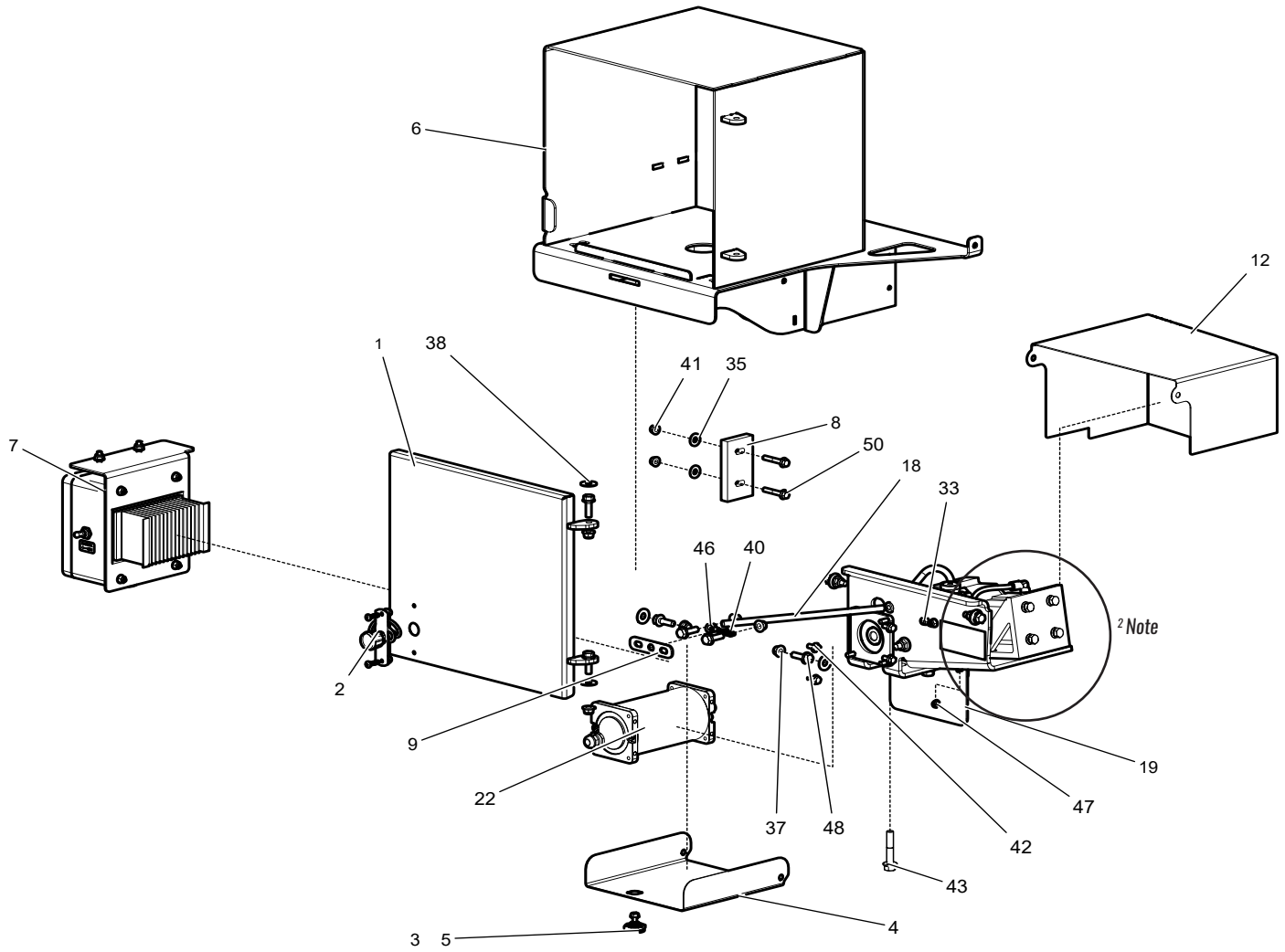


Admixture

Item	Description	Part Number	Qty
1	FIBER CHOPPER ASSY	2542-114-01	1
2	FIBER CHOPPER BOX MOUNT	2542-205-04	1
3	BUSHING	5153-119	1
4	RUBBER STOPPER	2542-082-06	1
5	BUSHING	5153-121	1
6	12V WIRELOOM	2552-549-15	1
7	WIRE TIE	5532-106	10
8	BOLT	5309-110-000	4
9	FLANGE LOCK NUT	5307-118-000	4
10	FLANGE LOCK NUT	5307-710-002	2
11	BOLT	5309-012-000	2
12	FLANGE LOCK NUT	5307-020-000	2
13	BOLT	5309-716-005	2
14	FLAT WASHER	5310-000	2
15	SPOOL	5415-001-000	1
16	PUSHLOCK	5077-820-010	1
17	AIRLINE TUBING	5075-204	88.125"
18	24V TO 12V DC CONVERTER	2552-349-04	1
19	FLANGE LOCK NUT	5307-032-080	2
20	SCREW	5335-206	2

Install Kit			
IK1	FIBER CHOPPER	2581-364-01	1

Fiber Chopper Assembly



Admixture

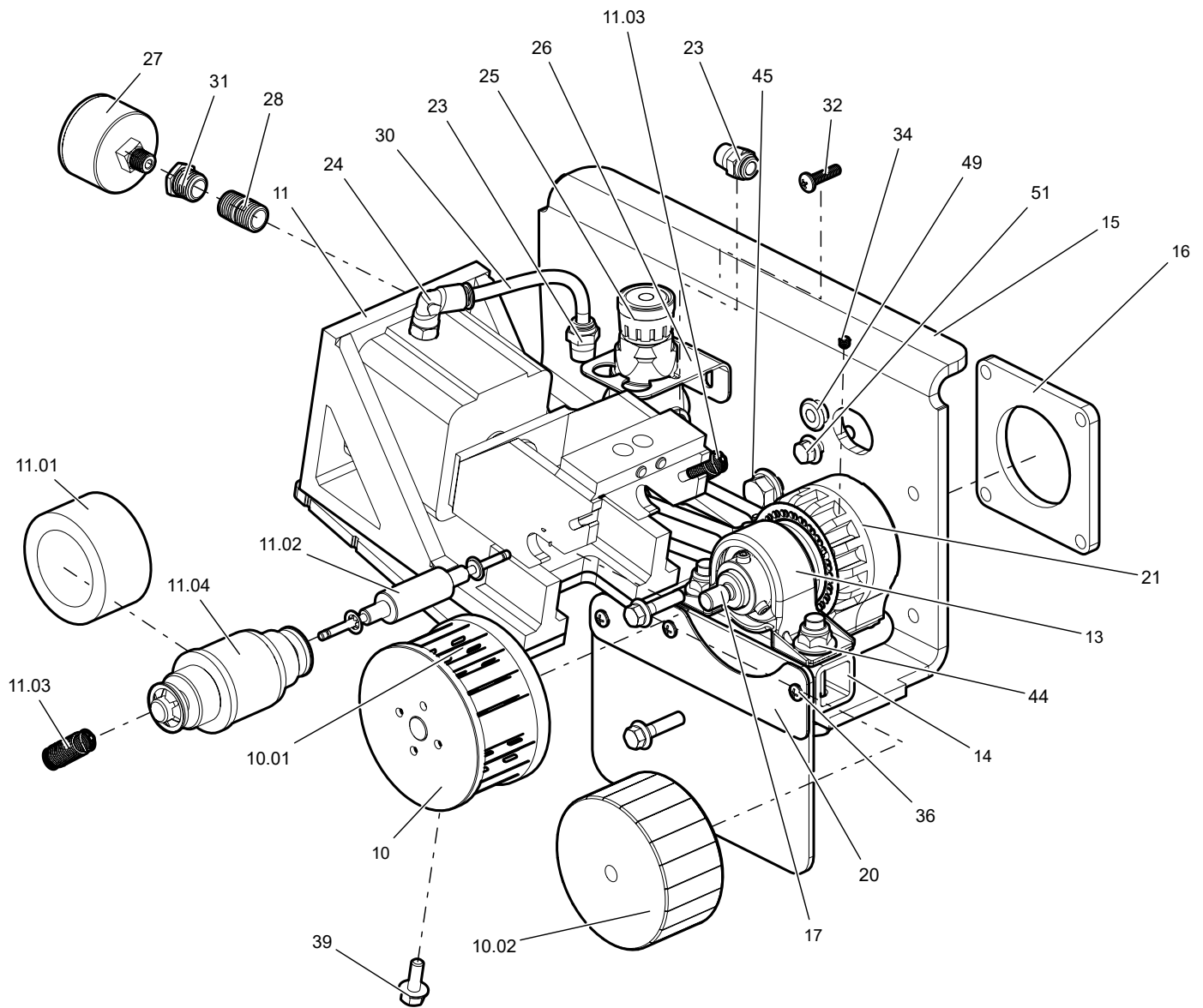
Item	Description	Part Number	Qty
1	FIBER CHOPPER DOOR	2542-233-04	1
2	SPRING LATCH	5370-031-000	1
3	WING CAM LATCH	5370-624-000	1
4	FIBER CHOPPER CASE BOTTOM	2542-089-12	1
5	CAM LATCH ARM	5370-634-000	1
6	FIBER CHOPPER CASE	2542-232-04	1
7	FIBER CHOPPER DRIVE ¹	2552-249-07	1
8	RUBBER STOPPER	2542-082-06	1
9	FEEDER TUBE SUPPORT	2542-040-12	1
12	FIBER CHOPPER CUTTER COVER	2542-455-02	1
18	FIBER CHOPPER FEEDER TUBE	2542-039-12	1
19	RUBBER MATERIAL GUIDE	2542-090-12	1
22	MOTOR	5500-505-104	1
33	FLANGE LOCK NUT	5307-032-100	4
35	FLAT WASHER	5310-000	2
37	FLANGE LOCK NUT	5307-118-000	8
38	FLAT WASHER	5310-100	6
40	LOCK NUT	5337-101-001	2
41	FLANGE LOCK NUT	5307-020-000	2
42	BOLT	5309-004-000	4
43	BOLT	5309-216-000	2
46	EYELET SPOOL GUIDE	2542-475-00	1
47	FLANGE LOCK NUT	5307-032-080	1
48	BOLT	5309-108-000	8
50	BOLT	5309-012-000	2

¹ see Fiber Chopper Drive on page 184 for components

² cutting assembly broken down on next page

Continued on next page

Fiber Chopper Assembly



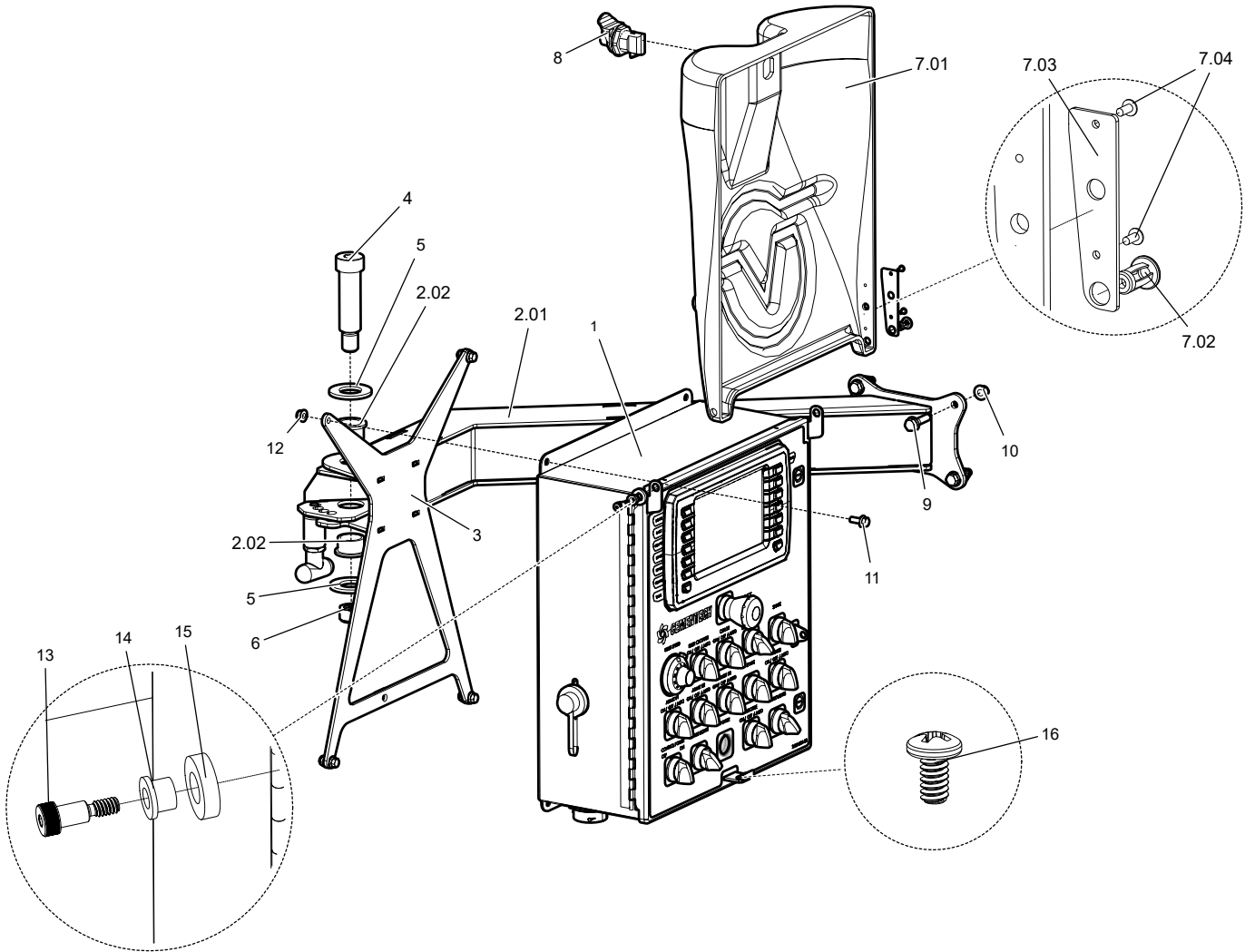
Admixture

Item	Description	Part Number	Qty
10	CUTTING WHEEL ¹	5415-311-000	1
10.01	CUTTING BLADES ¹	5415-317-000	20
10.02	ROLLER	5415-316-000	1
11	CYLINDER BRACKET ASSY	5415-310-000	1
11.01	OUTER ROLLER BACKING ¹	5415-313-000	1
11.02	ROLLER TENSIONER	5415-315-000	1
11.03	SPRING ¹	5415-312-000	2
11.04	ROLLER BACKING ASSY	5415-314-000	1
13	BEARING	5152-126	1
14	CUTTER BEARING SPACER	2542-022-12	1
15	CUTTER AND FEEDER MOUNT	2542-454-02	1
16	MOTOR SPACER PLATE	2542-020-12	1
17	MOTOR CUTTER ADAPTER	2542-028-12	1
20	MATERIAL GUIDE RETAINER	2542-092-12	1
21	ENCODER	5508-210-062	1
23	PUSHLOCK	5077-423	2
24	PUSHLOCK 90	5077-524	1
25	AIR REGULATOR	5402-002-01	1
26	AIR REG MOUNTING BRACKET	5402-002-02	1
27	AIR PRESSURE GAUGE	5404-110	1
28	NIPPLE	5051-000	1
30	AIRLINE TUBING	5075-204	4.0625
31	HEX RED	2010-112.10	1
32	SCREW	5335-321	4
34	THREAD	5358-300	2
36	SCREW	5335-204	3
39	BOLT	5339-006-016	3
44	FLANGE LOCK NUT	5307-216-000	3
45	BOLT	5309-208-000	1
49	RUBBER GROMMET	5532-604-005	1
51	BOLT	5309-008-000	4

REPLACEMENT KITS

RK1	FIBER CHOPPER MAINTANENCE KIT ¹	2542-913-00	1

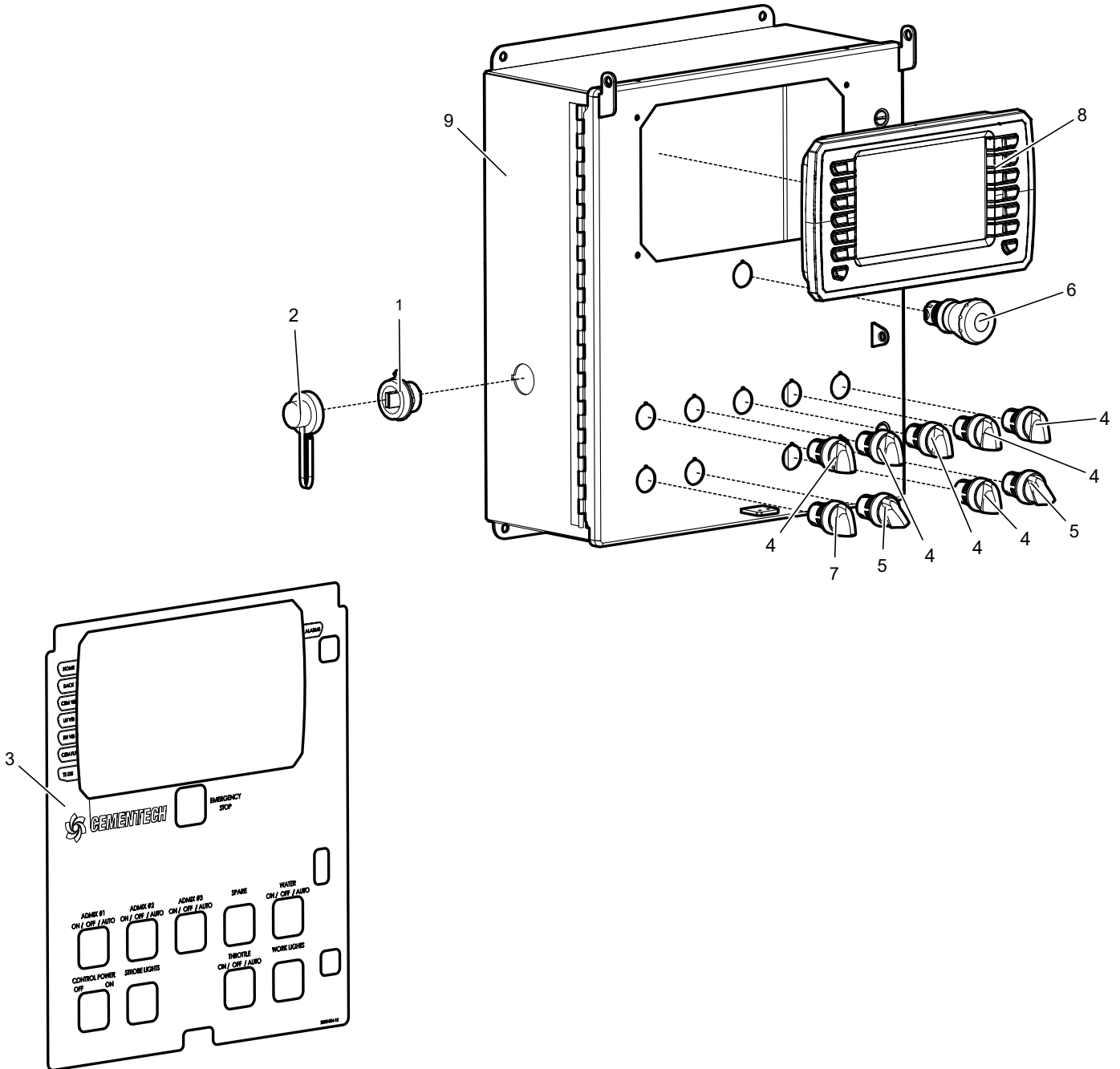
^{NOTE} Number denotes part included in kit



Electrical

Item	Description	Part Number	Qty
1	CONTROL PANEL ASSY	2602-234-30	1
2	MOUNT ARM ASSY	2603-452-00	1
2.01	CONTROL PANEL MOUNT ARM	2603-287-00	1
2.02	BUSHING	5154-416-012	2
3	SWIVEL MOUNT	2542-275-02	1
4	SHOULDER BOLT	5365-711-003	1
5	FLAT WASHER	5310-800-002	2
6	LOCKNUT	5302-711-001	1
7	COVER ASSY	2542-161-00	1
7.01	CONTROL PANEL COVER	2542-040-09	1
7.02	BUSHING INSERT	5300-020-205	2
7.03	BACKER PLATE	2542-001-10	1
7.04	PIN	5300-024-009	2
8	PUSH BUTTON LATCH	5370-637-000	1
9	BOLT	5309-110-000	4
10	FLANGE LOCK NUT	5307-118-000	4
11	BOLT	5309-005-000	4
12	FLANGE LOCK NUT	5307-020-000	4
13	SHOULDER BOLT	5365-713-003	2
14	FLANGE BUSHING	5180-958-000	2
15	UHMW SPACER	2542-089-09	2
16	SCREW	5335-102	2
17	FLAT WASHER	5310-100	1

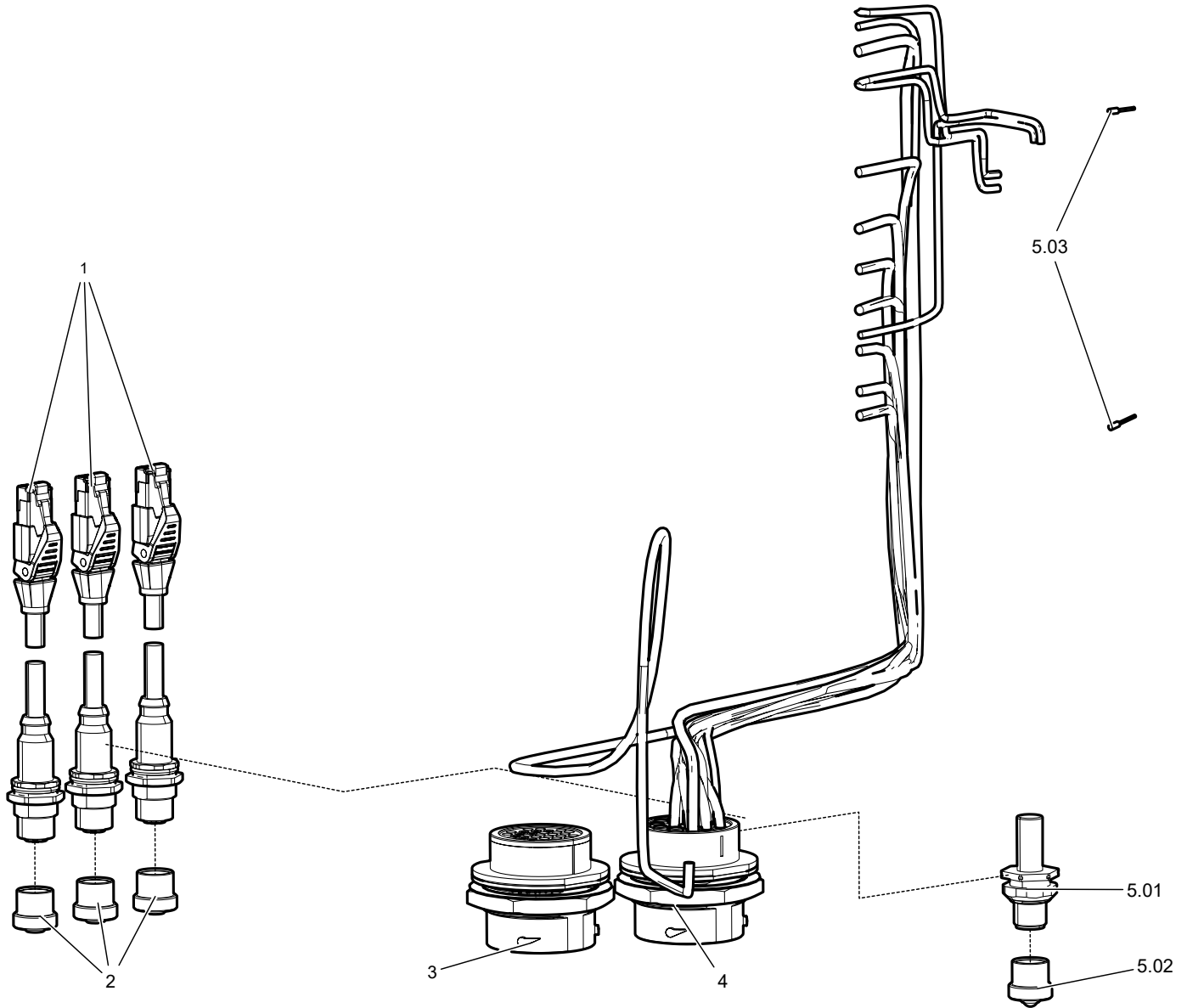
Control Panel Enclosure



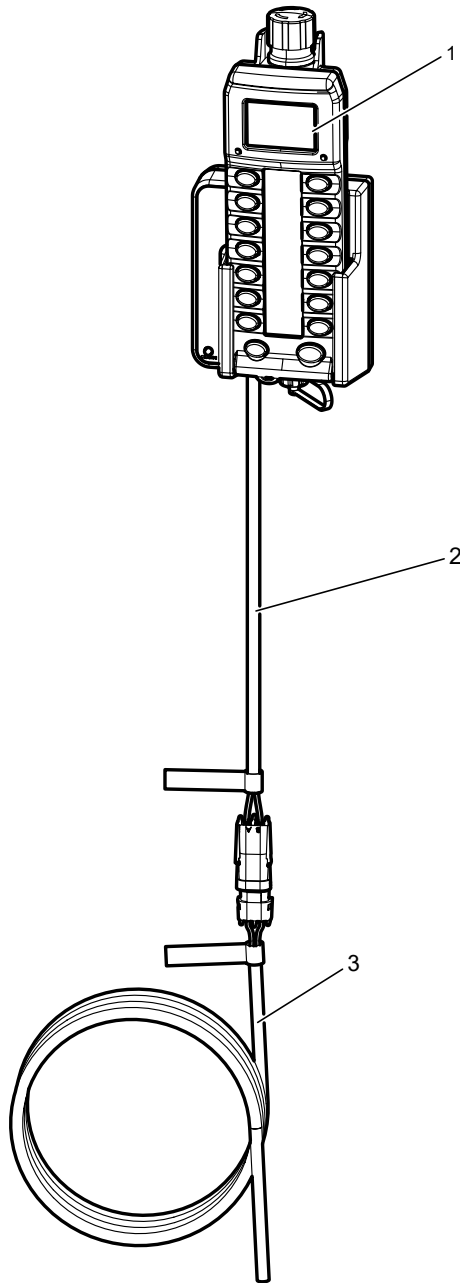
Electrical

Item	Description	Part Number	Qty
1	USB PLUG	5548-843-400	1
2	USB SEALING PANEL	5548-843-502	1
3	MS ENCLOSURE DOOR LABEL	2602-834-15	1
4	SELECTION SWITCH	5522-755-000	6
5	SELECTION SWITCH	5522-755-001	2
6	SELECTION SWITCH, RED	5522-758-102	1
7	SELECTION SWITCH	5522-755-002	1
8	TOUCHSCREEN	5549-048-000	1
9	CONTROL ENCLOSURE BOX	2602-234-12	1
10	SILICA BAG ¹	5532-908-002	1

¹not shown

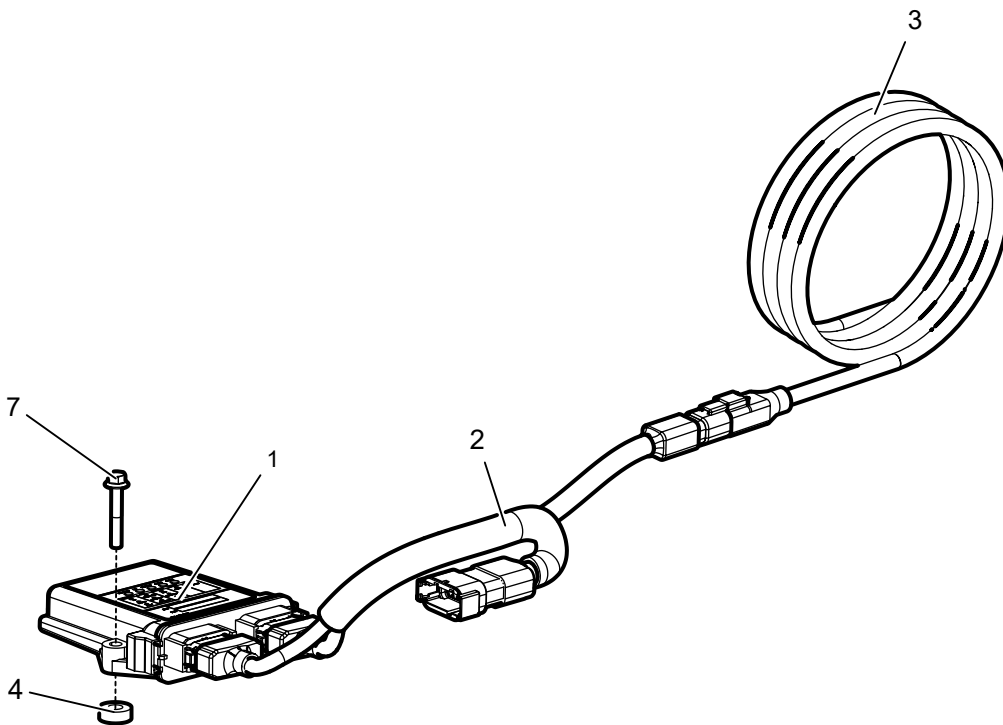
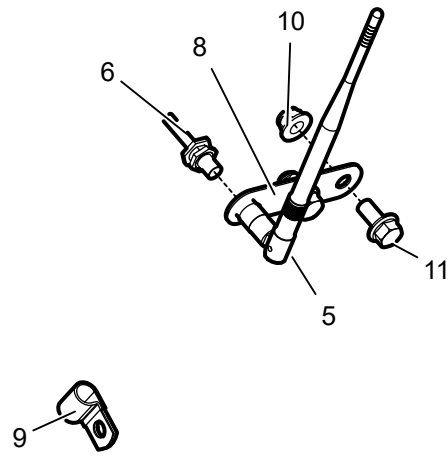


<i>Item</i>	<i>Description</i>	<i>Part Number</i>	<i>Qty</i>
1	ETHERNET PLUG	5526-400-001	3
2	M12 CAP	5526-146-008	3
3	CONTROL 2 WIRELOOM	2602-534-07	1
4	CONTROL 1 WIRELOOM	2602-534-09	1
5.01	CANBUS BULKHEAD	5526-146-000	1
5.02	M12 CAP	5526-146-005	1
5.03	TERMINAL FERRULE	5530-399-002	2



<i>Item</i>	<i>Description</i>	<i>Part Number</i>	<i>Qty</i>
1	WIRELESS REMOTE	5516-311-000	1
2	WIRELESS CHARGING DOCK	2552-322-06	1
3	REMOTE CHARGER EXT WIRELOOM	2552-522-03	1

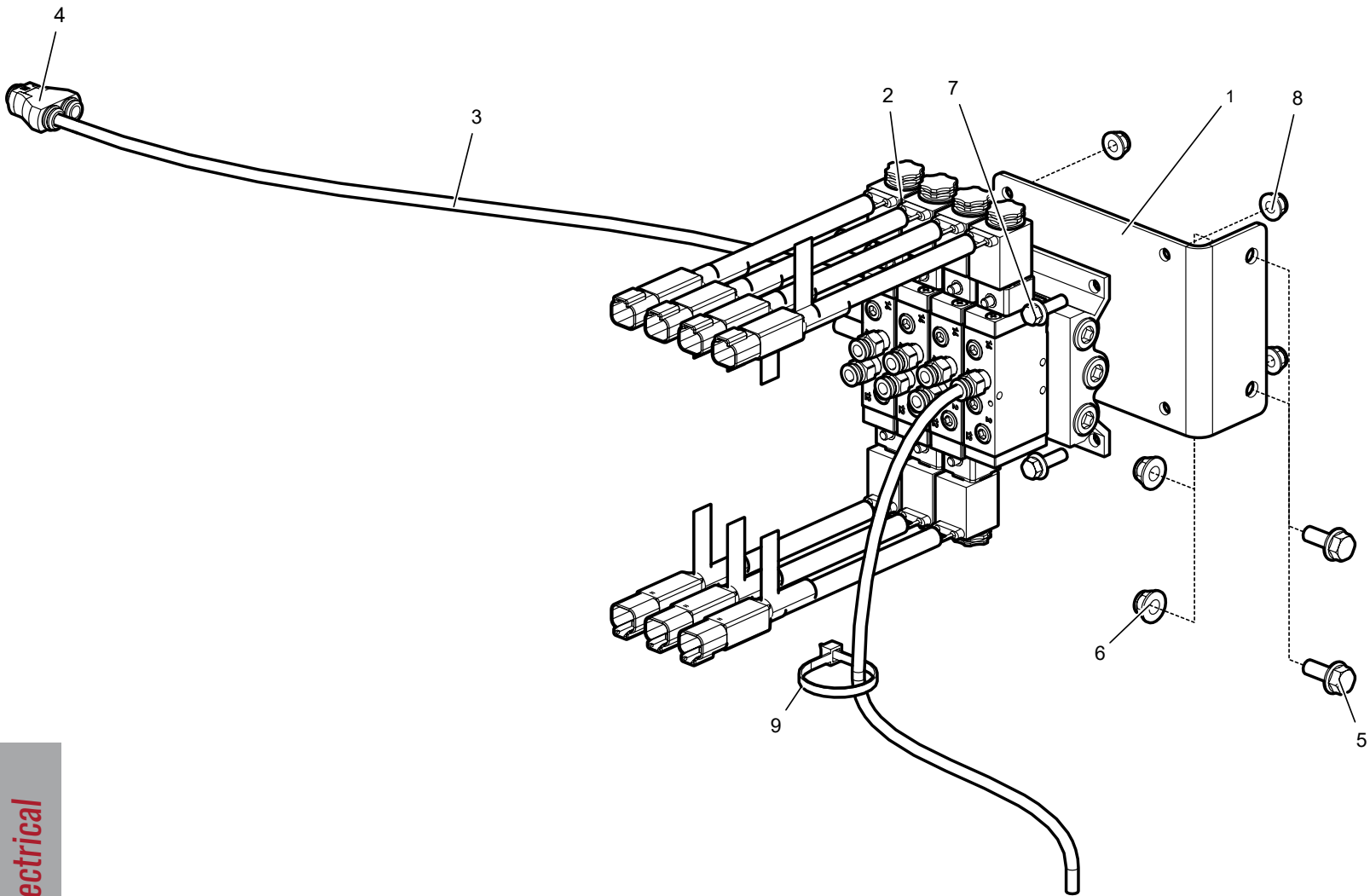
Wireless Remote: Receiver



Electrical

Item	Description	Part Number	Qty
1	WIRELESS RECEIVER	5516-311-002	1
2	WIRELOOM	2552-522-01	1
3	WIRELESS TETHER CABLE	5516-311-030	1
4	FLAT WASHER, RUBBER	5310-003	2
5	REMOTE ANTENNA	5516-311-040	1
6	REMOTE ANTENNA CABLE	5516-311-041	1
7	BOLT	5309-012-000	2
8	WIRELESS ANTENNA BRACKET	2603-027-13	1
9	RUBBER DIP CLAMP	5370-740	1
10	FLANGE LOCK NUT	5307-216-000	2
11	BOLT	5309-206-000	2

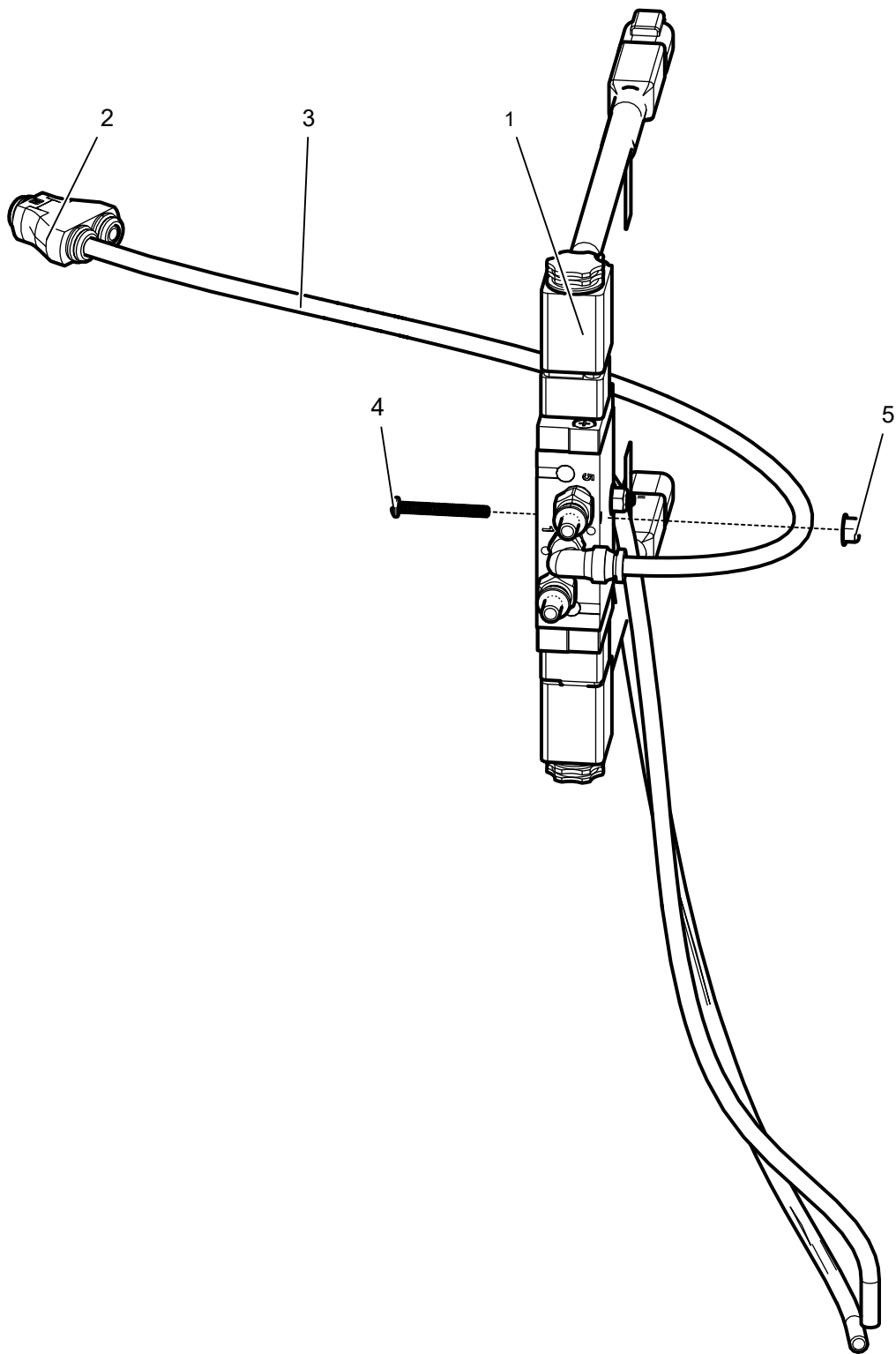
Wireless Remote: Air Valve



Electrical

<i>Item</i>	<i>Description</i>	<i>Part Number</i>	<i>Qty</i>
1	VALVE BRACKET	2603-070-08	1
2	WIRELESS PNEUMATIC VALVE, 24V	2602-999-01	1
3	AIRLINE TUBING	5075-204	3.22'
4	PUSHLOCK Y	5077-820-010	1
5	BOLT	5309-106-000	2
6	FLANGE LOCK NUT	5307-118-000	2
7	BOLT	5309-006-000	4
8	FLANGE LOCK NUT	5307-020-000	4
9	WIRE TIE	5532-108	1

Wireless Remote: Chute Lift Valve

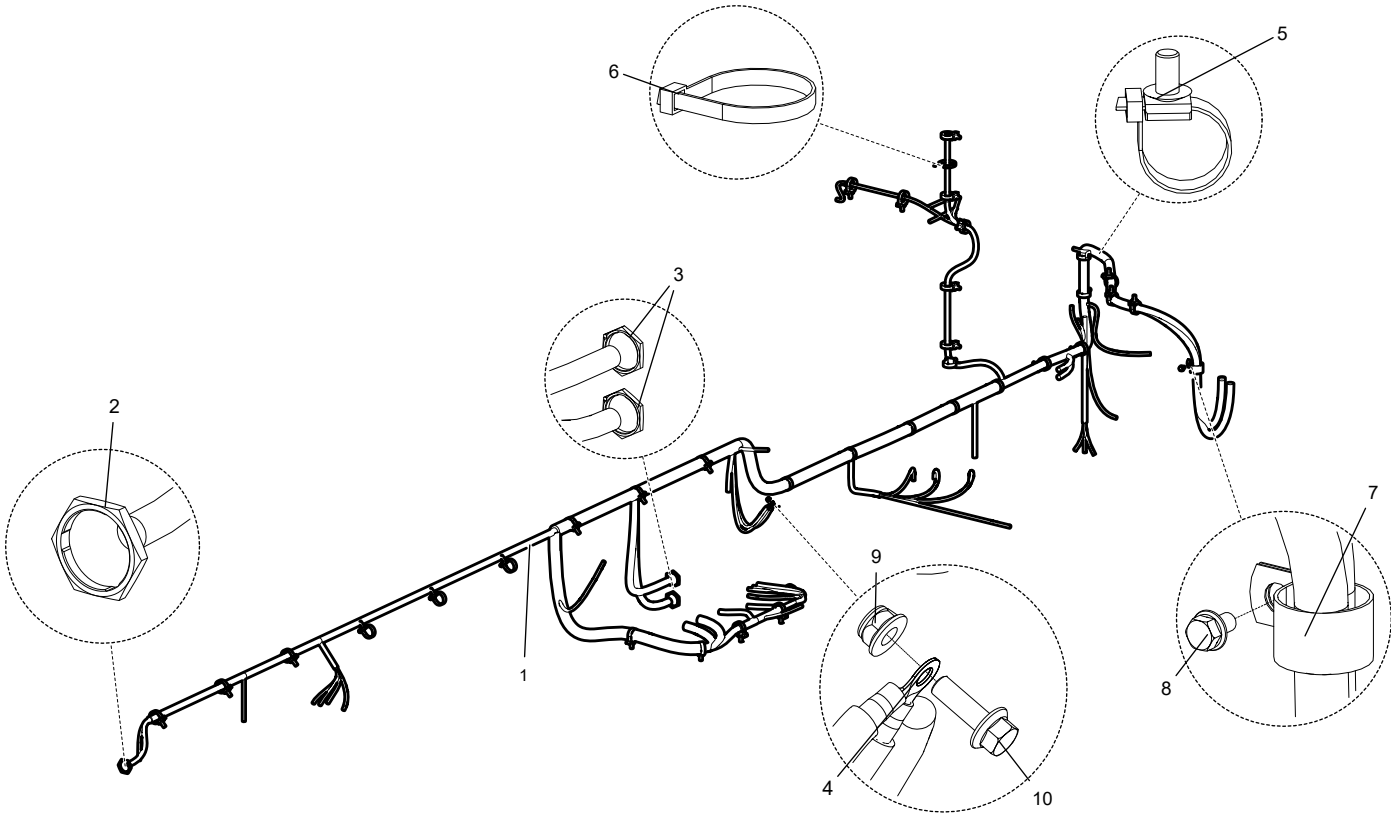


Electrical

Wireless Remote: Chute Lift Valve

<i>Item</i>	<i>Description</i>	<i>Part Number</i>	<i>Qty</i>
1	PNEUMATIC VALVE, WIRELESS CHUTE LIFT	2602-999-13	1
2	PUSHLOCK Y	5077-820-010	1
3	AIRLINE TUBING	5075-204	5.32'
4	SCREW	5335-110	2
5	FLANGE LOCK NUT	5307-032-060	2

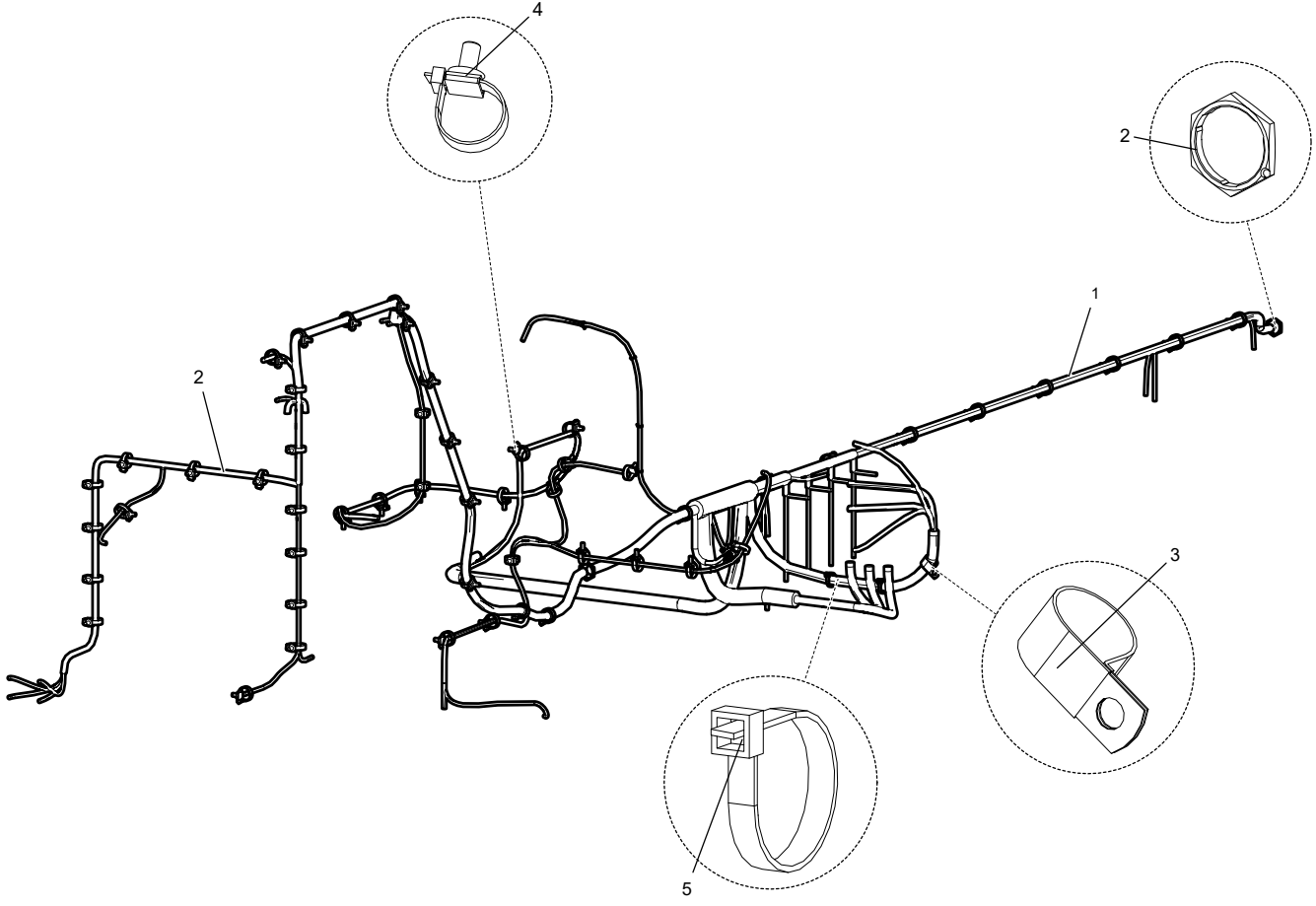
LH Main Harness



Electrical

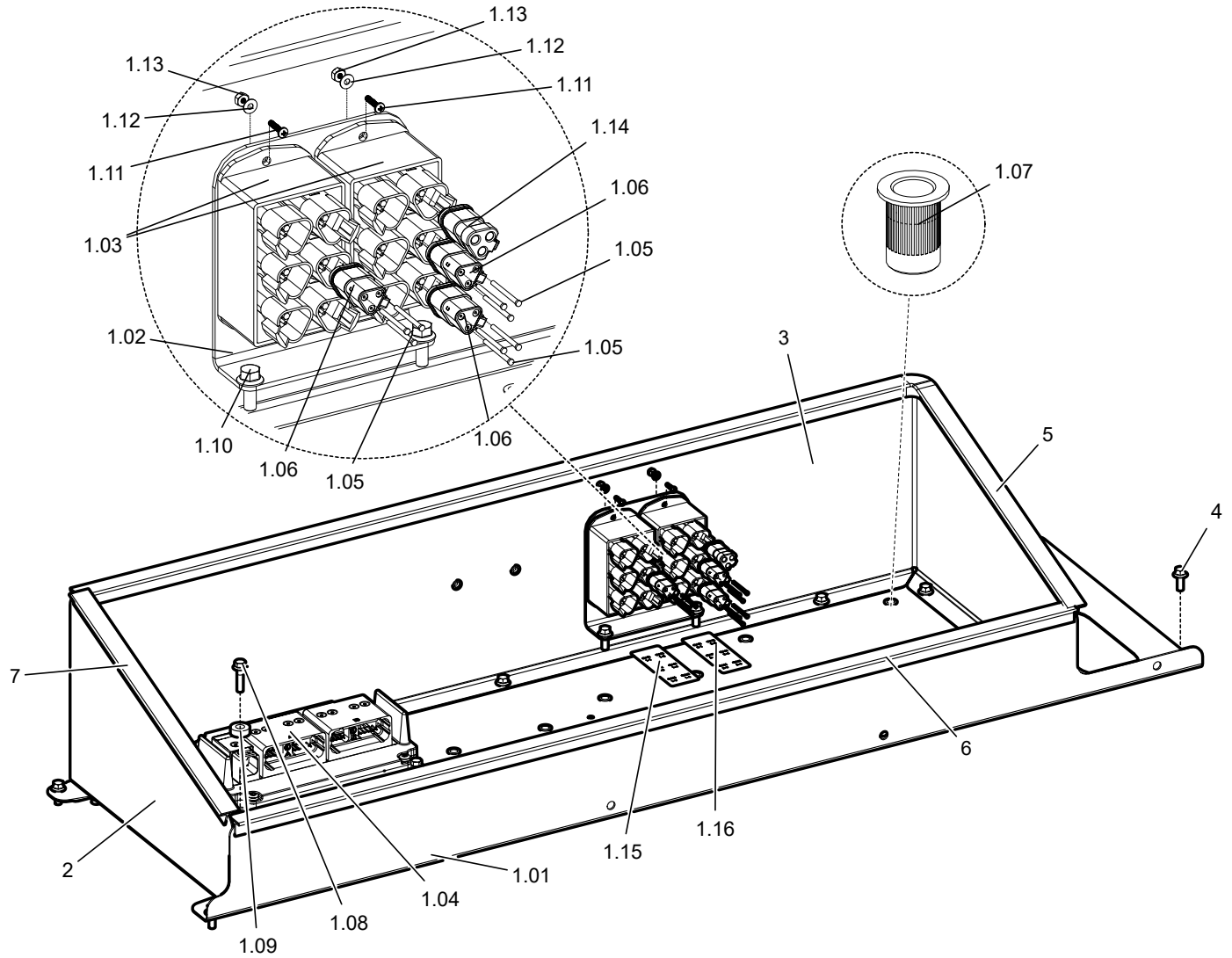
<i>Item</i>	<i>Description</i>	<i>Part Number</i>	<i>Qty</i>
1	MS MAIN WIRELOOM, LH	2602-523-12	1
2	DEUTSCH CONNECTOR	5530-760-020	1
3	DEUTSCH CONNECTOR	5530-761-297	2
4	TERMINAL RING	5530-324	2
5	WIRE TIE, TREE	5532-205-000	35
6	WIRE TIE	5532-115	1
7	RUBBER DIP CLAMP	5370-792	1
8	BOLT	5309-104-000	1
9	FLANGE LOCK NUT	5307-020-000	1
10	BOLT	5309-006-000	1

RH Main Harness



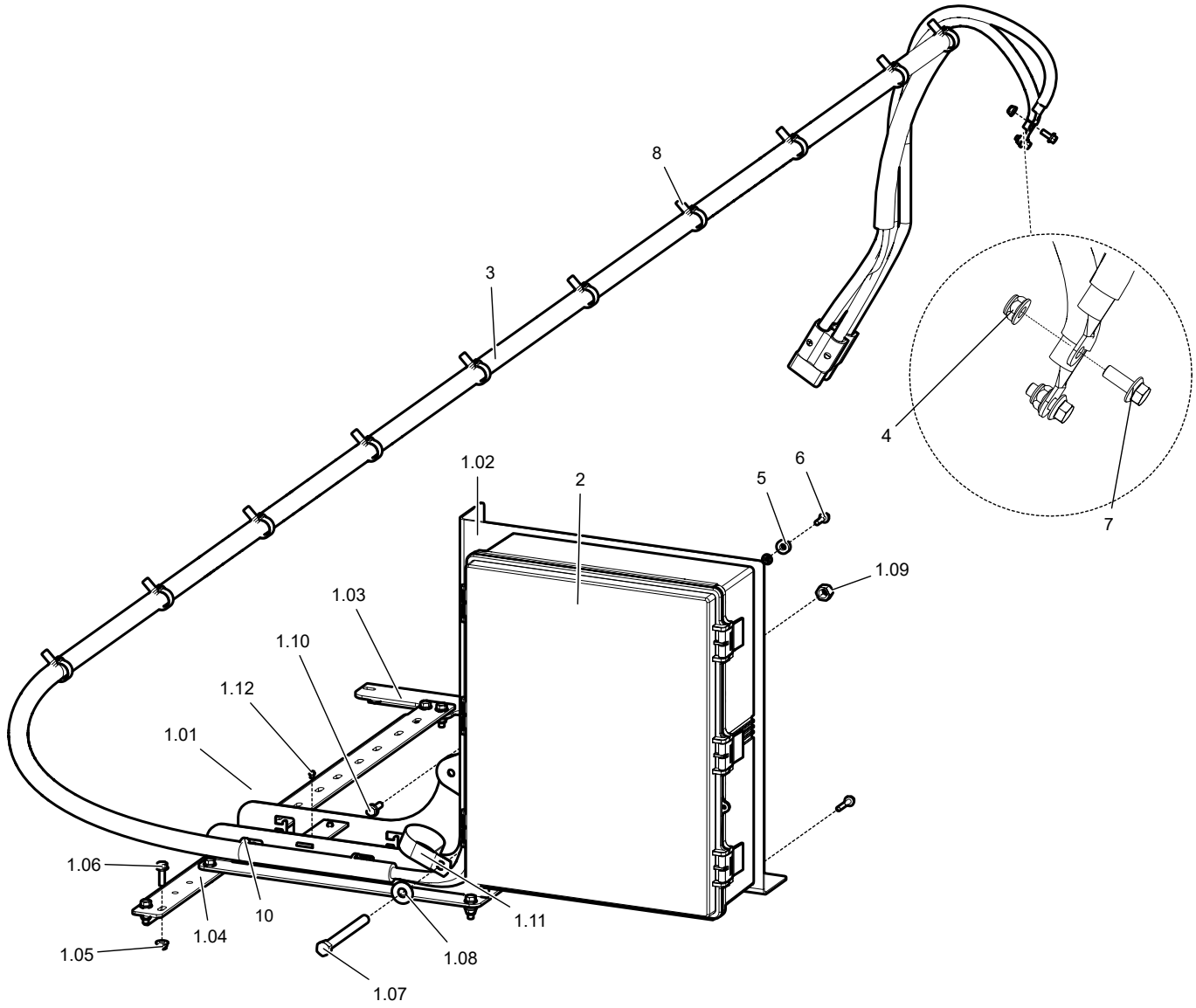
Electrical

<i>Item</i>	<i>Description</i>	<i>Part Number</i>	<i>Qty</i>
1	MS MAIN WIRELOOM, RH	2602-523-13	1
2	DEUTSCH CONNECTOR	5530-761-297	1
3	RUBBER DIP CLAMP	5370-740	2
4	WIRE TIE, TREE	5532-205-000	42
5	WIRE TIE	5532-108	6



Electrical

Item	Description	Part Number	Qty
1.01	LH ELECTRICAL CONTROL BRKT	2603-482-00	1
1.02	CAN HUB BRKT	2603-071-05	1
1.03	CAN HUB	5549-048-100	2
1.04	ELECTRICAL CONTROLLER "A"	2552-730-20	1
1.05	SEALING PLUG	5530-700-002	9
1.06	DEUTSCH CONNECTOR	5530-720-020	3
1.07	RIVET NUT	5300-020.20	3
1.08	BOLT	5309-008-000	4
1.09	FLAT WASHER, RUBBER	5310-003	4
1.10	BOLT	5309-005-000	2
1.11	SCREW	5334-000-012	4
1.12	FLAT WASHER	5334-005-001	4
1.13	NYLOCK HEX NUT	5334-005-102	4
1.14	DEUTSCH CONNECTOR	5530-765-002	1
1.15	LABEL	2552-834-39	1
1.16	LABEL	2552-834-40	1
2	SIDE COVER	2603-072-05	1
3	BACK & SIDE COVER	2603-415-01	1
4	BOLT	5309-005-000	11
5	WEATHERSTRIP	5161-104-05000	1
6	WEATHERSTRIP	5161-104-03688	1
7	WEATHERSTRIP	5161-104-01250	1



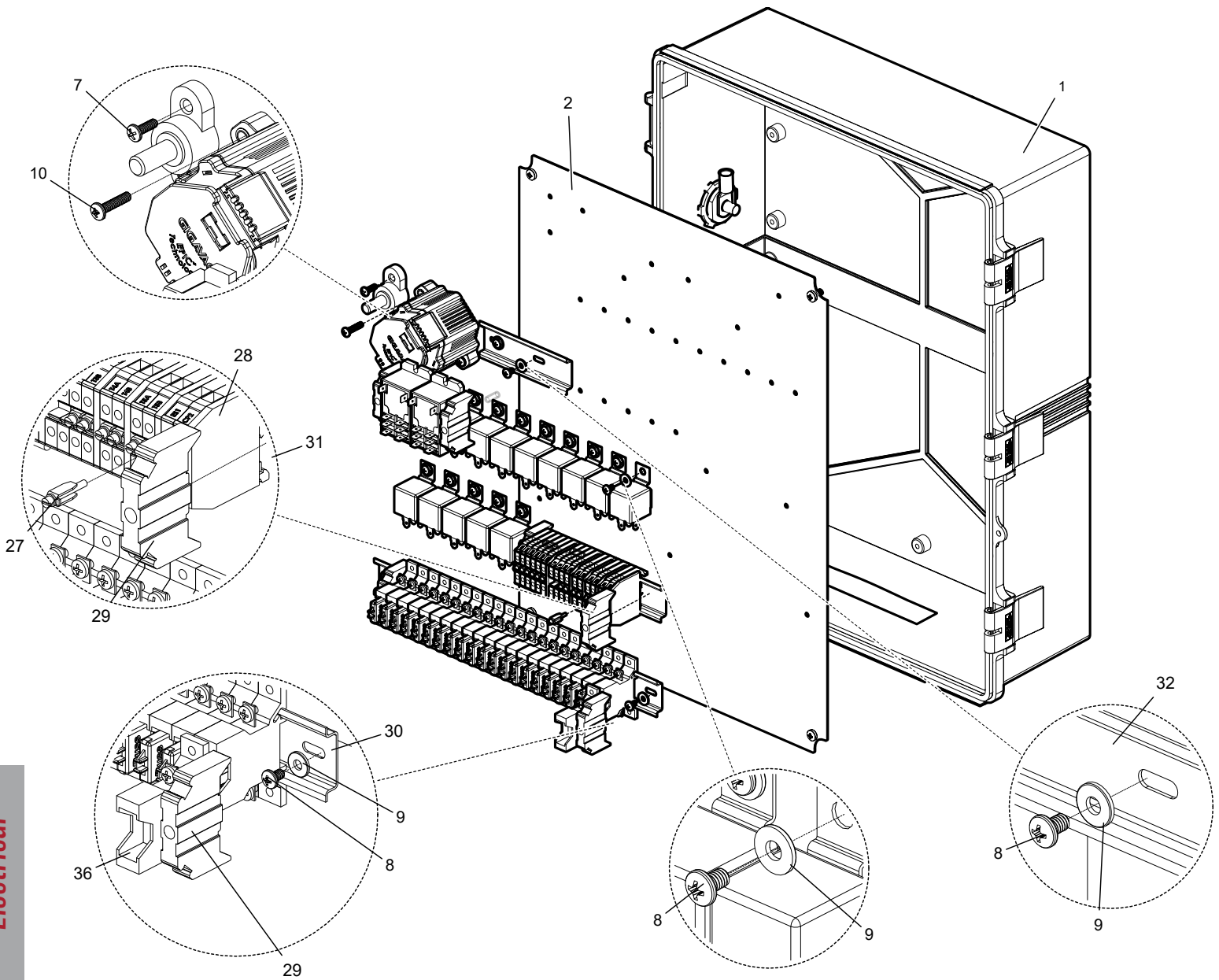
Electrical

Item	Description	Part Number	Qty
1	ELECTRICAL BOX, PASSENGER MOUNT	2603-311-02	1
1.01	ELECT BOX MOUNT BOTTOM	2603-295-01	1
1.02	ELECT BOX MOUNT FRAME	2603-294-01	1
1.03	ADMIX TANK ANGLE SUPPORT	2603-032-08	1
1.04	ADMIX PUMP BRACKET REAR	2603-092-07	1
1.05	FLANGE LOCK NUT	5307-118-000	11
1.06	BOLT	5309-108-000	11
1.07	BOLT	5315-444B	1
1.08	FLAT WASHER	5310-400	2
1.09	LOCK NUT	5302-413	1
1.10	BEARING SLEEVE	5154-408-000	2
1.11	RUBBER DIP CLAMP	5370-794	1
1.12	RUBBER PUSH-IN BUMPER	5357-001-000	1
2	ELECT CCE ASSY, 24V	2602-234-58	1
3	MAIN POWER WIRELOOM	2602-553-01	1
4	FLANGE LOCK NUT	5307-020-000	5
5	SEALING WASHER	5310-001-002	8
6	BOLT	5309-012-000	4
7	BOLT	5309-006-000	1
8	WIRE TIE, TREE	5532-205-000	10

Item	Description	Part Number	Qty
3	7.5A CIRCUIT BREAKER	5514-800-007	13
4	5A CIRCUIT BREAKER	5514-800-005	6
5	15A CIRCUIT BREAKER	5514-800-015	1
6	10A CIRCUIT BREAKER	5514-800-010	1
13	CB COMMON LABEL	2602-834-01	1
14	RELAY COMM LABEL	2602-834-02	1
15	RELAY COM2 LABEL	2602-834-03	1
16	RES1 LABEL	2602-834-04	1
17	MP3 LABEL	2602-834-10	1
18	RCR1 LABEL	2602-834-09	1
19	MP1 LABEL	2602-834-11	1
23	RELAY 2P2T 20ADC 24VDC	5504-022-101	2
24	RELAY 1P2T 20ADC 24VDC	5504-021.20	15
25	RELAY 1P1T 150ADC 24VDC	5504-023-524	1
26	TERMINAL 30A	5538-042	16
37	TERMINAL POWER STUD	5538-013-008	1
56	SILICA BAG ¹	5532-908-002	1

¹ not shown

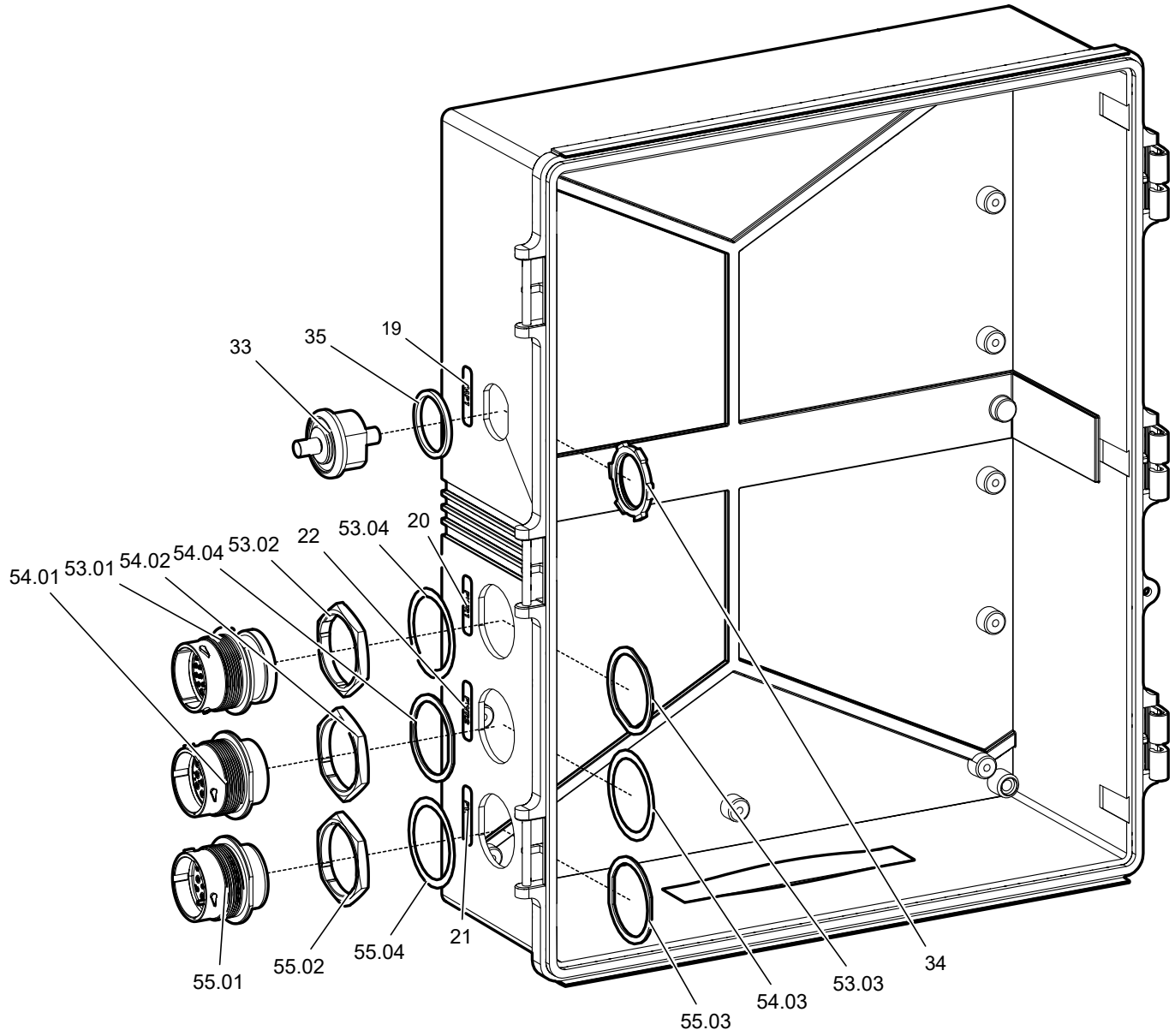
RH Electrical Cabinet



Electrical

Item	Description	Part Number	Qty
1	MS CCE CUT OUT	2602-234-60	1
2	POWER ENCLOSURE BACK PANEL	2602-234-54	1
7	SCREW	5335-204	2
8	SCREW	5335-202	22
9	FLAT WASHER	5336-144	22
10	SCREW	5335-206	2
27	TERMINAL JUMPER BLOCK 25A	5538-010.4	12
28	TERMINAL BLOCK END 25A	5538-042.2	5
29	END ANCHOR	5538-009.10	6
30	DIN RAIL TERM STRIP	5538-002.02	1.08'
31	DIN RAIL TERM STRIP	5538-002.02	0.50'
32	DIN RAIL TERM STRIP	5538-002.02	0.33'
36	FUSE HOLDER	5536-031-000	22

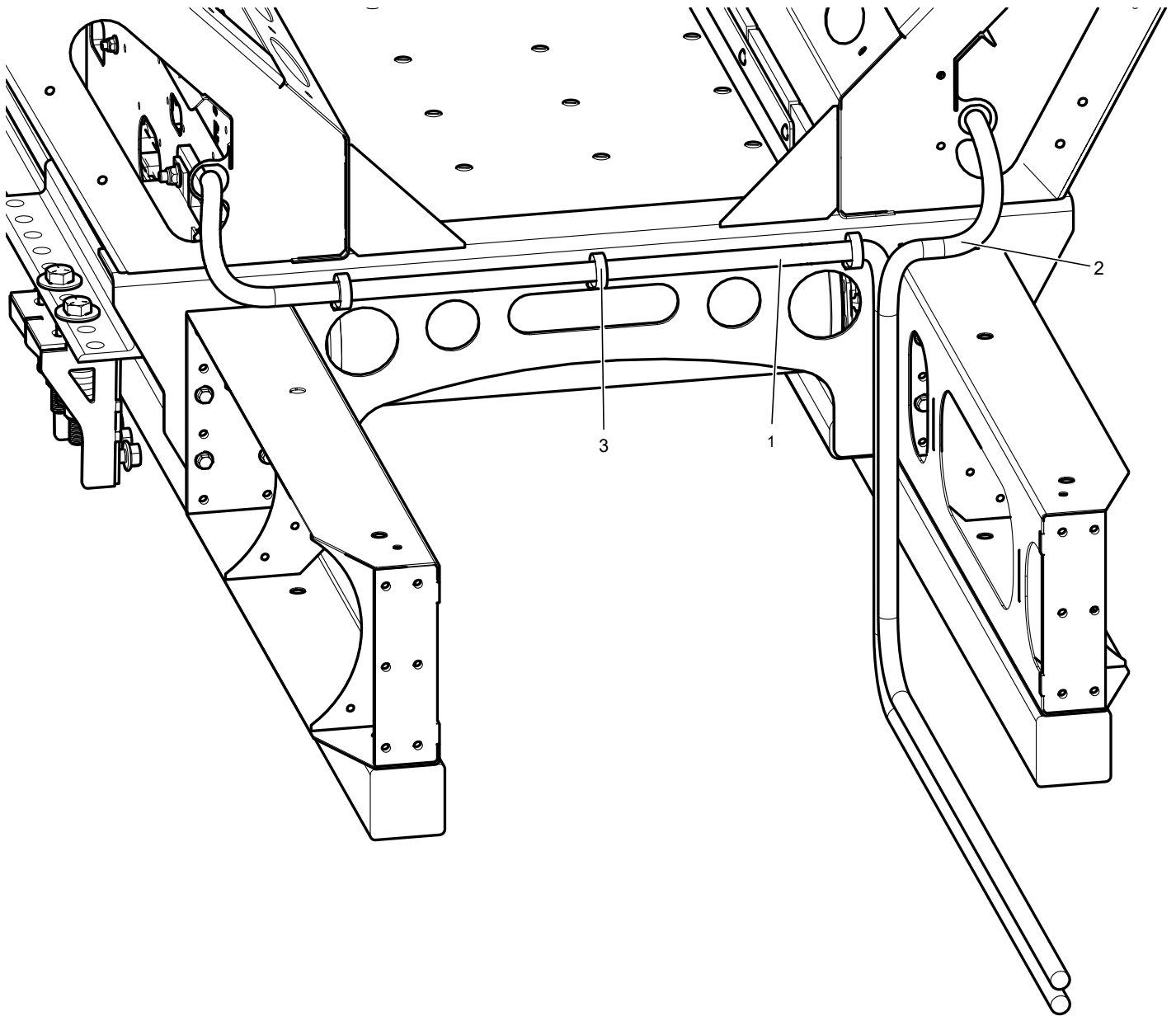
RH Electrical Cabinet



Electrical

Item	Description	Part Number	Qty
19	MP1 LABEL	2602-834-11	1
33	TERMINAL STUD	5538-013-004	1
34	LOCK NUT	5534-131	1
35	O-RING	5534-150-219	1
36	FUSE HOLDER	5536-031-000	22
53	CCE PWR1 WIRELOOM ¹	2602-534-30	1
53.01	DEUTSCH CONNECTOR	5530-760-023	1
53.02	DEUTSCH CONNECTOR NUT	5530-761-297	1
53.03	DEUTSCH CONNECTOR GASKET	5530-761-299	1
53.04	DEUTSCH CONNECTOR WASHER	5530-761-298	1
54	CCE PWR2 WIRELOOM ¹	2602-534-26	1
54.01	DEUTSCH CONNECTOR	5530-760-025	1
54.02	DEUTSCH CONNECTOR NUT	5530-761-297	1
54.03	DEUTSCH CONNECTOR WASHER	5530-761-298	1
54.04	DEUTSCH CONNECTOR GASKET	5530-761-299	1
55	CCE PWR3 WIRELOOM ¹	2602-534-27	1
55.01	DEUTSCH CONNECTOR	5530-760-043	1
55.02	DEUTSCH CONNECTOR NUT	5530-761-297	1
55.03	DEUTSCH CONNECTOR GASKET	5530-761-299	1
55.04	DEUTSCH CONNECTOR WASHER	5530-761-298	1

¹ wires hidden for clarity

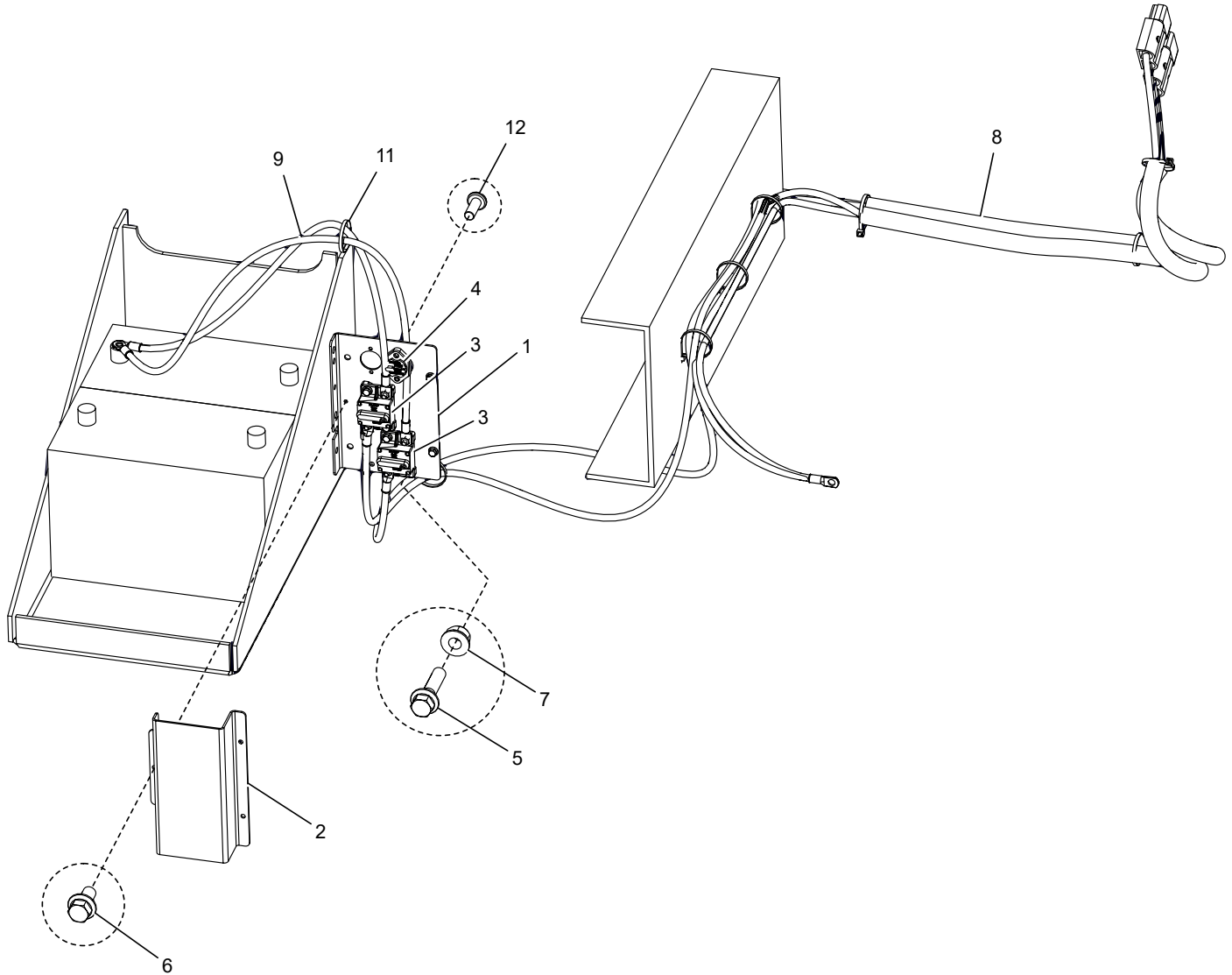


Electrical

Item	Description	Part Number	Qty
1	WIRELOOM GENERIC TRUCK RH	2552-523-57	1
2	WIRELOOM GENERIC TRUCK LH	2552-523-56	1
3	WIRE TIE TREE	5532-205-000	3

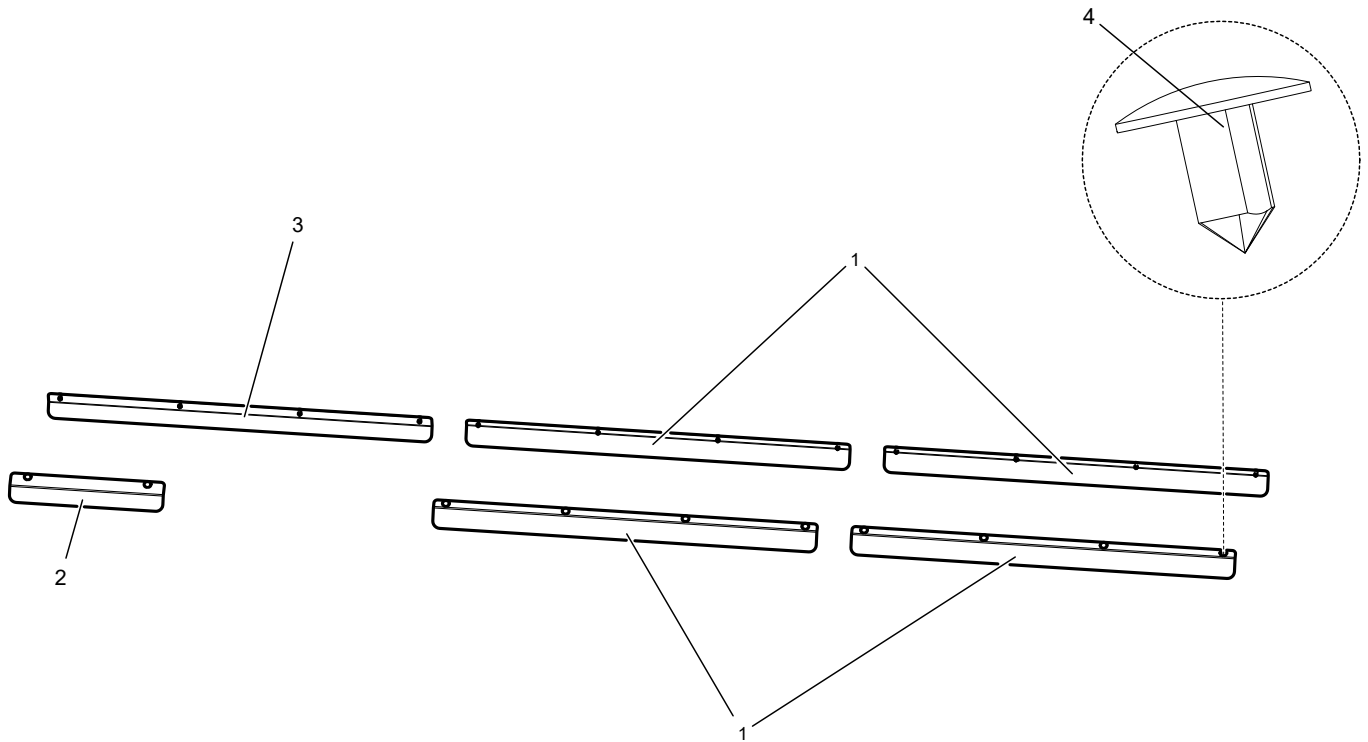
¹ Body link wirelooms used depend on truck specifications and details. Refer to existing unit wireloom labels to determine replacement wireloom part numbers.

Battery Connections



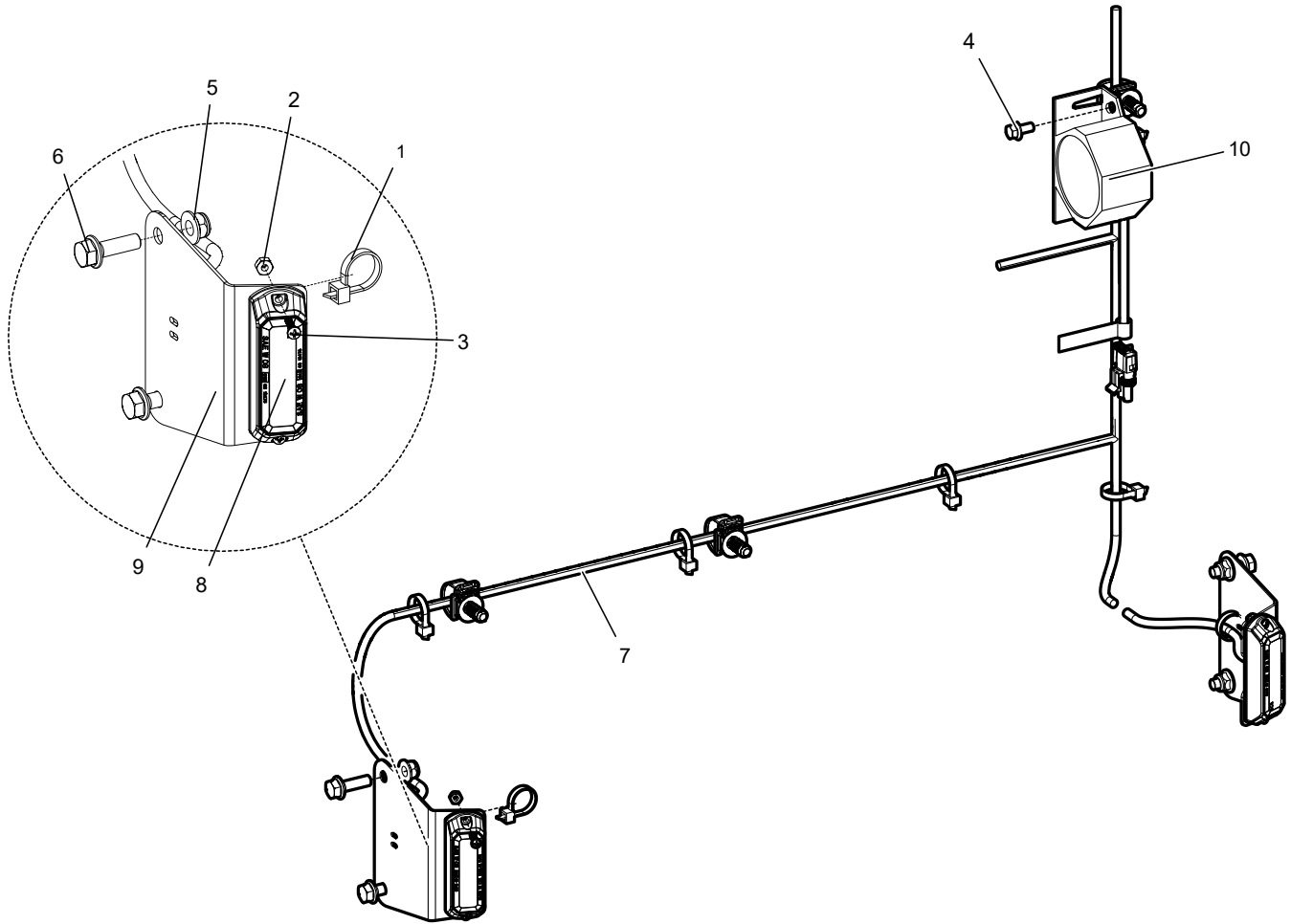
Electrical

<i>Item</i>	<i>Description</i>	<i>Part Number</i>	<i>Qty</i>
1	BRACKET	2542-006-11	1
2	COVER	2542-007-11	1
3	BREAKER	5514-700-050	2
4	BREAKER	5514-701-050	1
5	BOLT	5309-008-000	4
6	BOLT	5309-004-000	3
7	FLANGE LOCK NUT	5307-020-002	4
8	WIRELOOM. BREAKER TO MP1 & MP2	2552-553-24	2
9	WIRELOOM. BATTERY TO BREAKERS	2552-553-25	2
10	WIRELOOM. JUMPER	2552-556-16	1
11	WIRE TIE	5532-108	8
12	SCREW	5335-320-001	2



<i>Item</i>	<i>Description</i>	<i>Part Number</i>	<i>Qty</i>
1	WIREWAY COVER	2603-019-01	4
2	WIREWAY COVER	2603-061-09	1
3	WIREWAY COVER	2603-060-09	1
4	PANEL FASTENER	5532-801-000	22

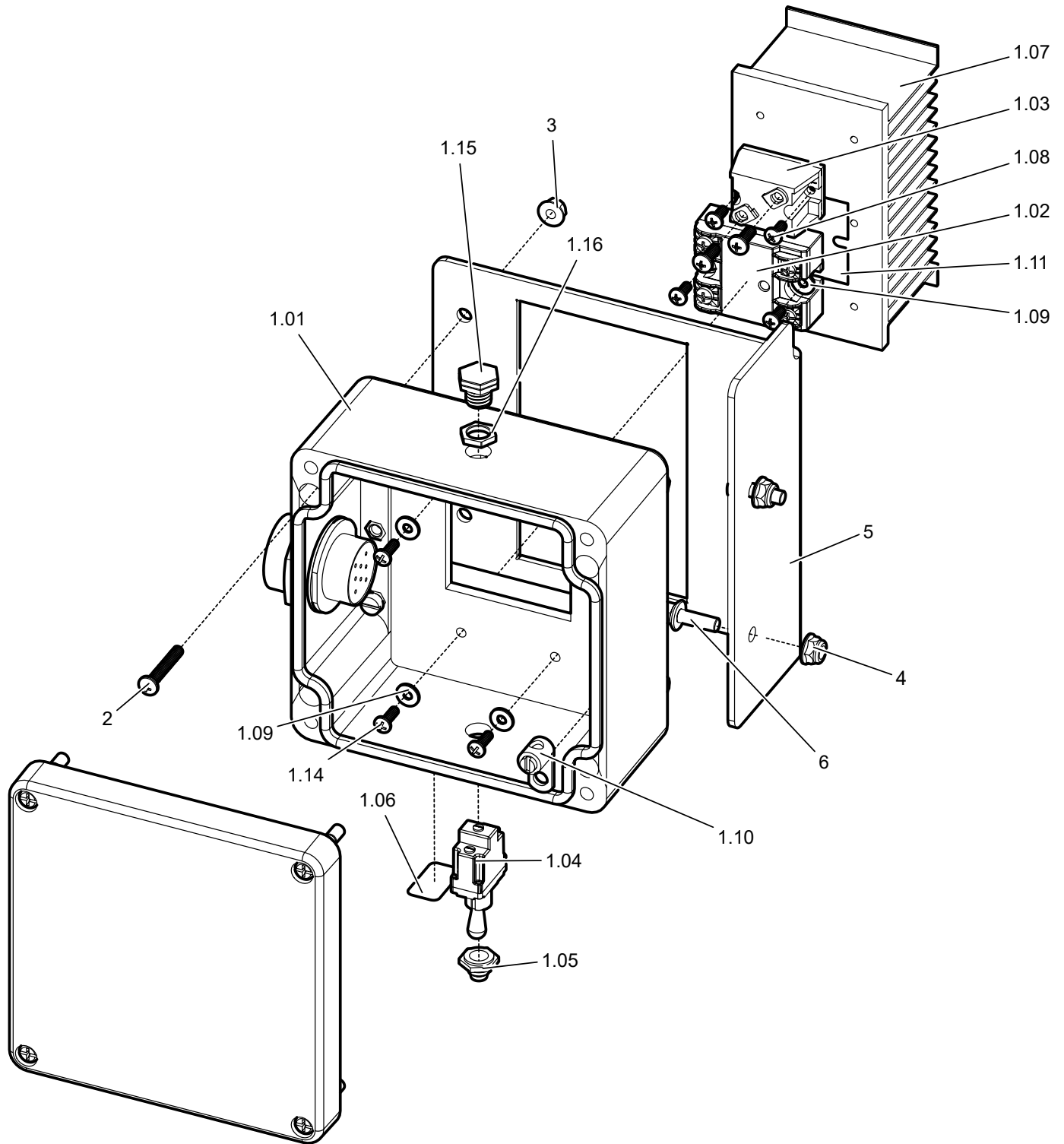
Backup Alarm



Electrical

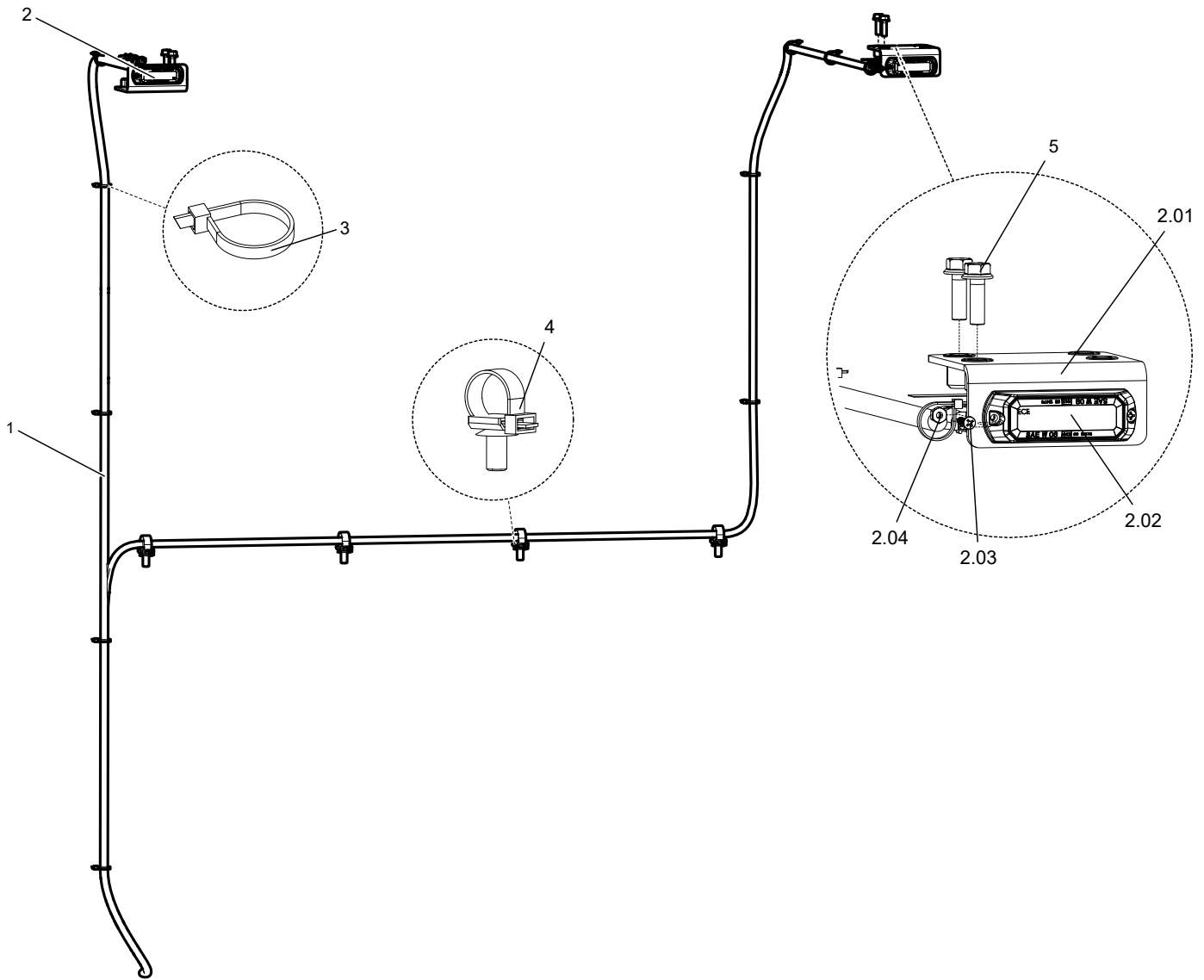
Item	Description	Part Number	Qty
1	WIRE TIE	5532-108	7
2	LOCK NUT	5336-132L	4
3	SCREW	5335-105	4
4	BOLT	5309-004-000	2
5	FLANGE LOCK NUT	5307-118-000	4
6	BOLT	5309-108-000	4
7	WIRELOOM, SAFETY WARNING	2552-565-01	1
8	STROBE LIGHT ASSY	2439-354-32	2
9	MIXER A/V WARNING LITE MOUNT	2581-006-02	2
10	SAFETY ALARM HORN	2552-365-00	1

Fiber Chopper Drive



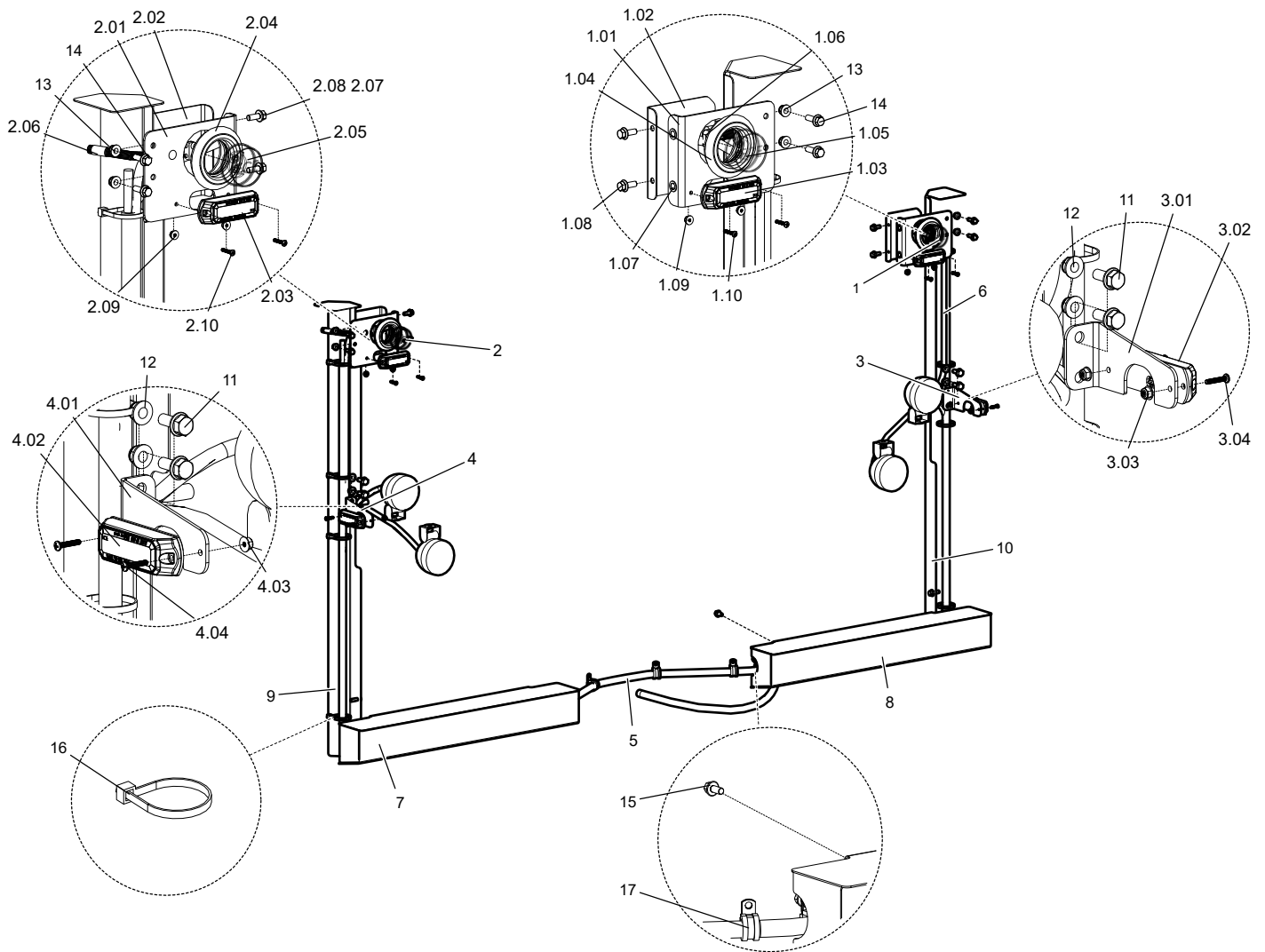
Electrical

Item	Description	Part Number	Qty
1.01	DRIVE ENCLOSURE CUT OUT	2552-249-08	1
1.02	RELAY 40A	5504-022-103	1
1.03	DIODE 40A	5508-509-005	1
1.04	TOGGLE SWITCH	5522-421-001	1
1.05	TOGGLE SWITCH BOOT	5522-204	1
1.06	LABEL	2552-849-00	1
1.07	HEAT SINK	5504-022-410	1
1.08	SCREW	5335-203	4
1.09	FLAT WASHER	5336-144	5
1.10	GROUND LUG	5530-507	1
1.11	THERMAL PAD	5504-022-001	1
1.12	SEALANT	5721-610-010	1
1.13	SILICA BAG	5532-908-001	2
1.14	SCREW	5335-204	3
1.15	SEALED VENT	5516-803-000	1
1.16	VENT NUT	5516-803-001	1
1.17	WIRELOOM	2552-549-04	1
2	SCREW	5335-331	4
3	FLANGE LOCK NUT	5307-032-100	4
4	FLANGE LOCK NUT	5307-020-000	2
5	FIBER CHOPPER DRIVE BRACKET	2542-091-12	1
6	BOLT	5309-006-000	2



<i>Item</i>	<i>Description</i>	<i>Part Number</i>	<i>Qty</i>
1	STROBE LIGHT WIRELOOM	2552-554-08	1
2	SUB ASSY: ECE STROBE LIGHT	2603-457-02	2
2.01	ASSY: STROBE LIGHT BRACKET	2603-452-02	1
2.02	STROBE LIGHT ASSY, 24V ECE	2439-354-32	1
2.03	SCREW	5335-106	2
2.04	LOCK NUT	5336-132L	2
3	WIRE TIE	5532-106	12
4	WIRE TIE, TREE	5532-205-000	4
5	BOLT	5309-108-000	4

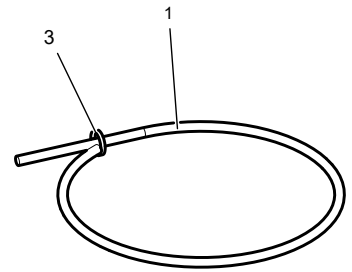
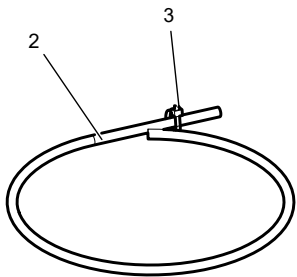
Clearance Lights



Lights

Item	Description	Part Number	Qty
1	RH STROBE & CLEARANCE LIGHT	2603-458-02	1
1.01	RH STROBE & CLEARANCE LT BRKT	2603-092-12	1
1.02	CLEARANCE LIGHT BACK COVER	2603-080-12	1
1.03	STROBE LIGHT ASSY, 24V ECE	2439-354-32	1
1.04	LIGHT GROMMIT	5540-260-001	1
1.05	CLEARANCE LIGHT	5540-260-026	1
1.06	CLEARANCE LIGHT WIRELOOM	2552-532-02	1
1.07	RIVET NUT INSERT	5300-020.20	2
1.08	BOLT	5309-005-000	2
1.09	FLANGE LOCK NUT	5307-032-060	2
1.10	SCREW	5335-106	2
2	LH STROBE & CLEARANCE LIGHT	2603-459-02	1
2.01	LH STROBE & CLEARANCE LT BRKT	2603-093-12	1
2.02	CLEARANCE LIGHT BACK COVER	2603-080-12	1
2.03	STROBE LIGHT ASSY, 24V ECE	2439-354-32	1
2.04	LIGHT GROMMIT	5540-260-001	1
2.05	CLEARANCE LIGHT	5540-260-026	1
2.06	CLEARANCE LIGHT WIRELOOM	2552-532-02	1
2.07	RIVET NUT INSERT	5300-020.20	2
2.08	BOLT	5309-005-000	2
2.09	FLANGE LOCK NUT	5307-032-060	2
2.10	SCREW	5335-106	2
3	LH STROBE & CLEARANCE LIGHT	2603-459-02	1
3.01	WORK PLATFORM MID MOUNT RH	2603-094-12	1
3.02	STROBE LIGHT ASSY, 24V ECE	5439-354-32	1
3.03	FLANG LOCK NUT	5307-032-060	2
3.04	SCREW	5335-106	2
4	LH MID MOUNT STROBE LIGHT	2603-461-02	1
4.01	WORK PLATFORM MID MOUNT LH	2603-095-12	1
4.02	STROBE LIGHT ASSY, 24V ECE	5439-354-32	1
4.03	FLANG LOCK NUT	5307-032-060	2
4.04	SCREW	5335-106	2
5	PLATFORM EXTENSION WIRELOOM	2552-523-68	1
6	STROBE LIGHT SPLIT WIRELOOM	2552-554-40	2
7	PLATFORM WIRELOOM SHIELD, LH	2603-292-01	1
8	PLATFORM WIRELOOM SHIELD, RH	2603-293-01	1
9	PLATOFRM REAR LH INNER COVER	2603-051-09	1
10	PLATOFRM REAR RH INNER COVER	2603-054-09	1
11	BOLT	5309-106-000	4
12	FLANGE LOCK NUT	5307-118-000	4
13	FLANGE LOCK NUT	5307-020-000	10
14	BOLT	5309-006-000	14
15	BOLT	5309-004-000	4
16	WIRE TIE	5532-108	8
17	CUSHION CLAMP	5532-516	10

Side Marker Light Wireloom



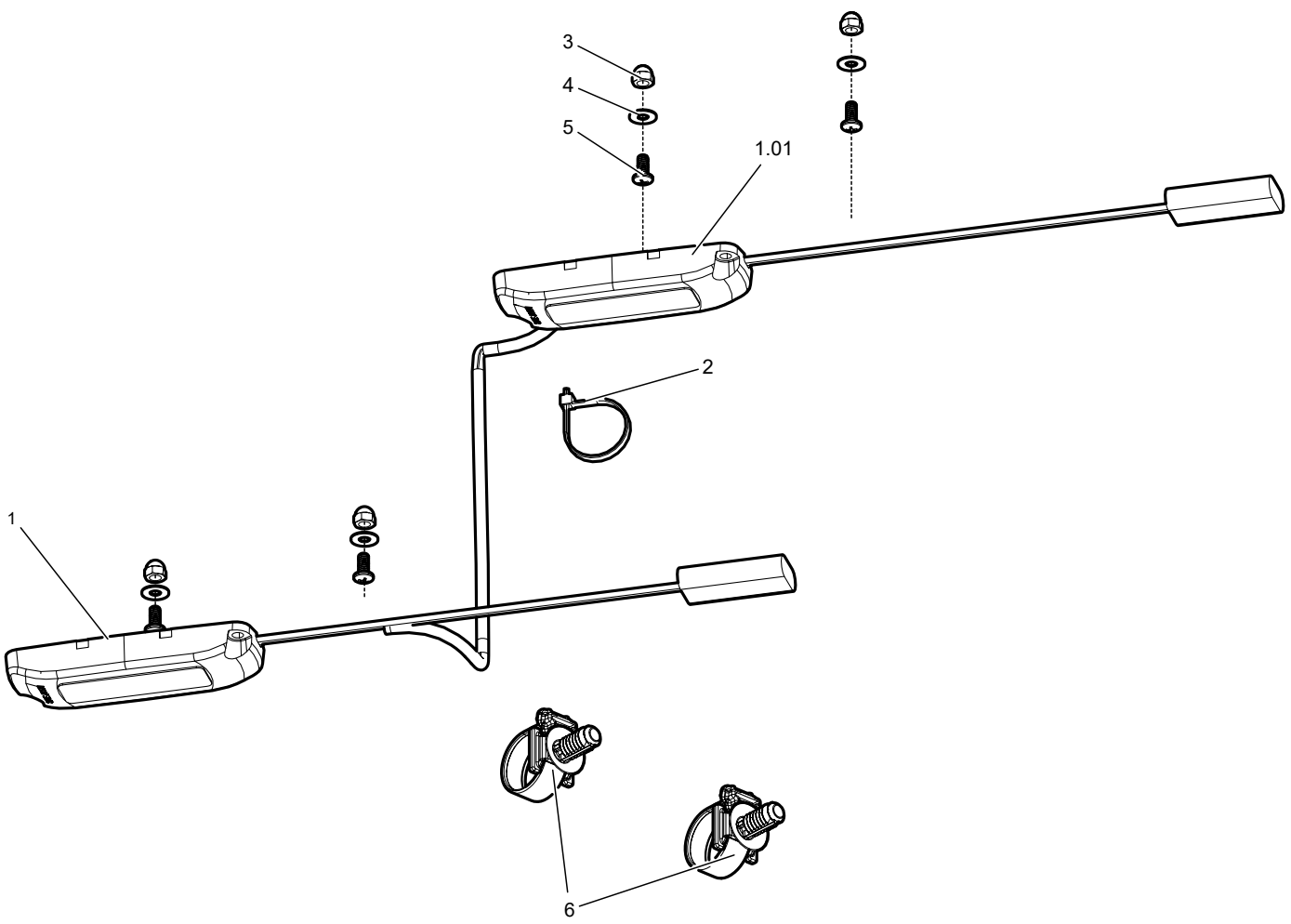
Lights



Side Marker Light Wireloom

<i>Item</i>	<i>Description</i>	<i>Part Number</i>	<i>Qty</i>
1	LH CLEARANCE LIGHT WIRELOOM	2552-532-15	1
2	RH CLEARANCE LIGHT WIRELOOM	2552-532-16	1
3	WIRE TIE	5532-108	2

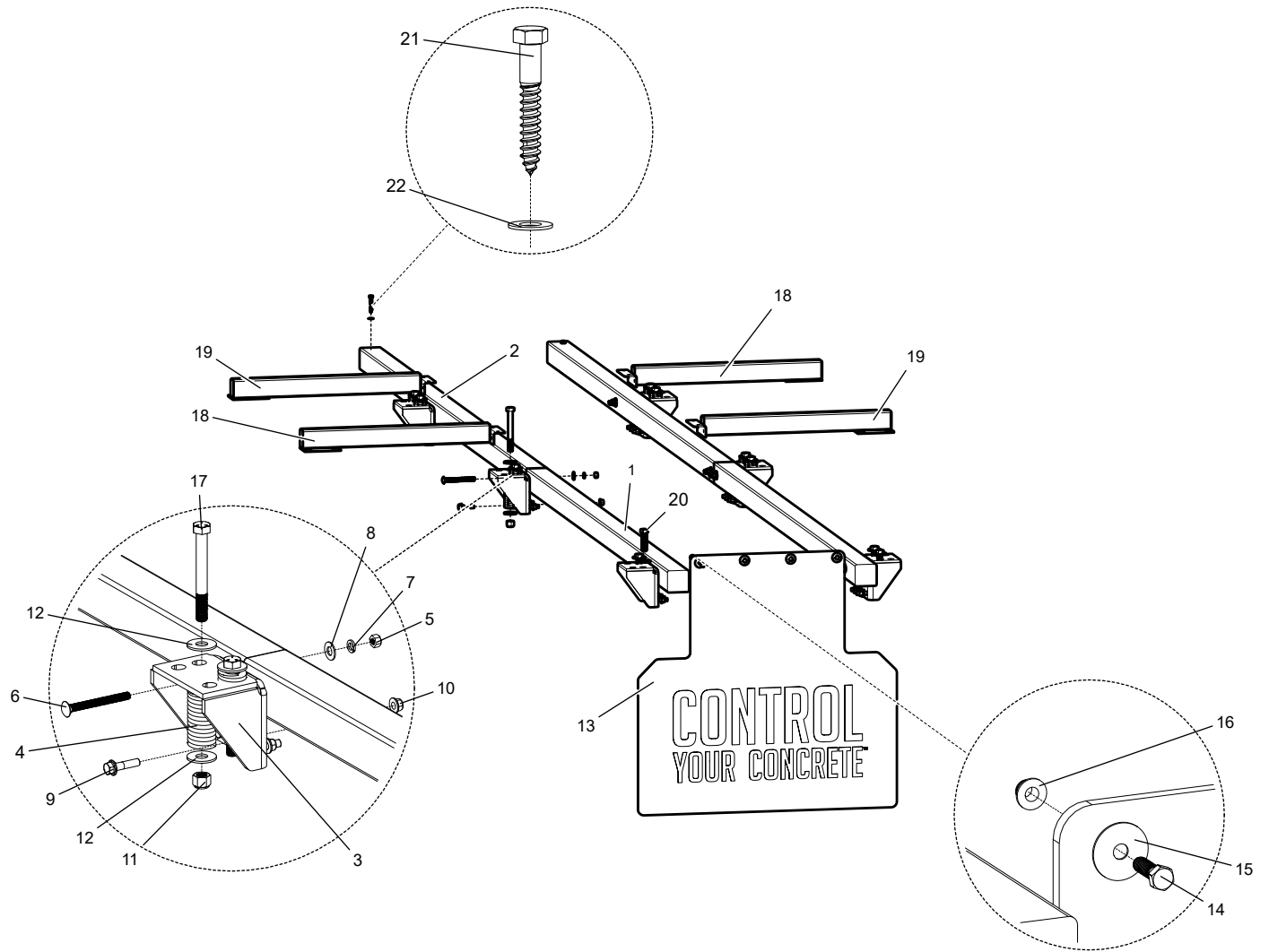
Control Panel Lights



Lights

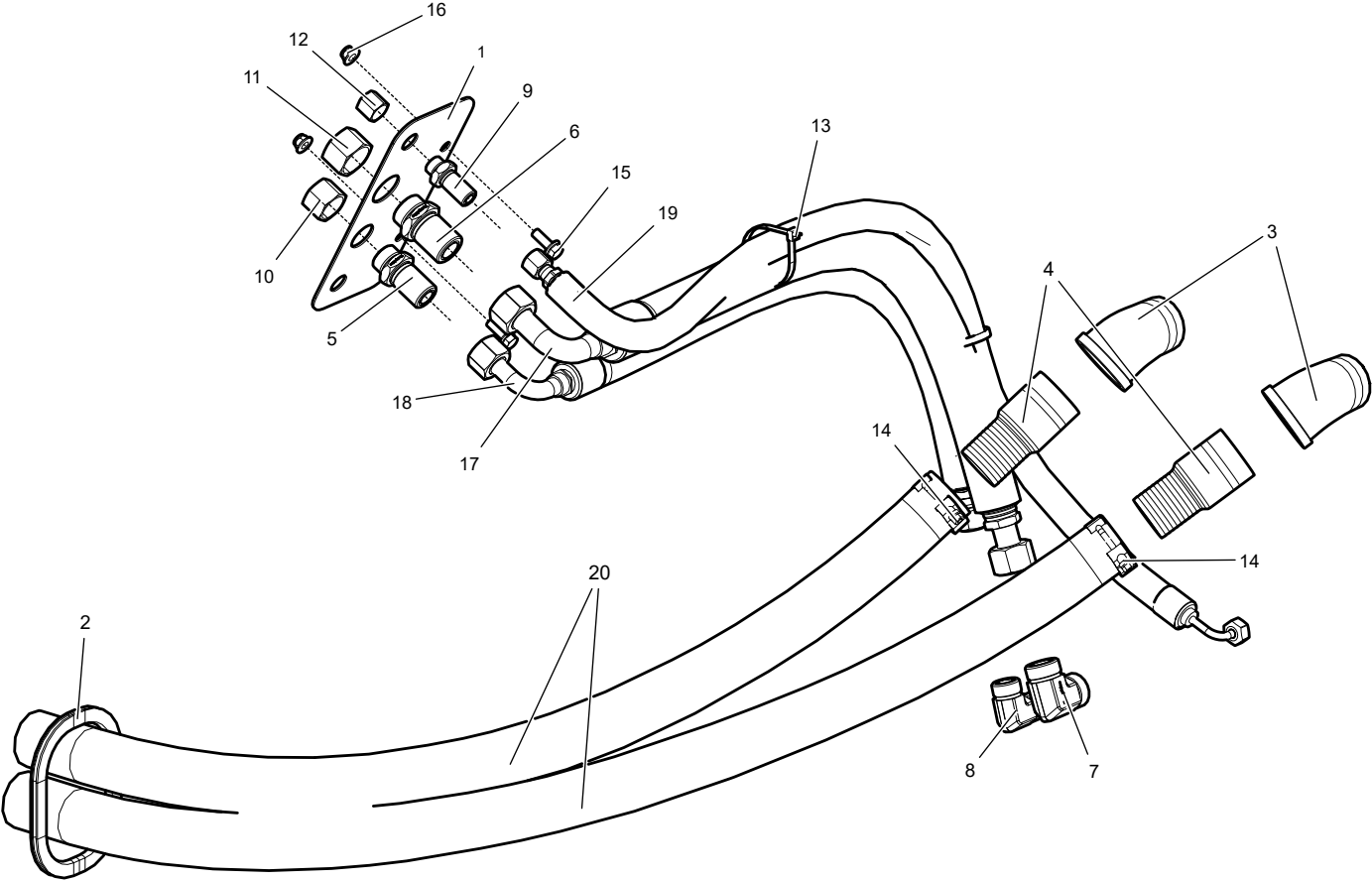
Item	Description	Part Number	Qty
1	24V LED LIGHT ASSY	2602-314-02	1
2	WIRE TIE	5532-106	1
3	ACORN NUT	5337-101-002	4
4	FLAT WASHER	5336-145-002	4
5	SCREW	5335-203-001	4
6	WIRE TIE, TREE	5532-205-000	2

Unit Mounting: Renault



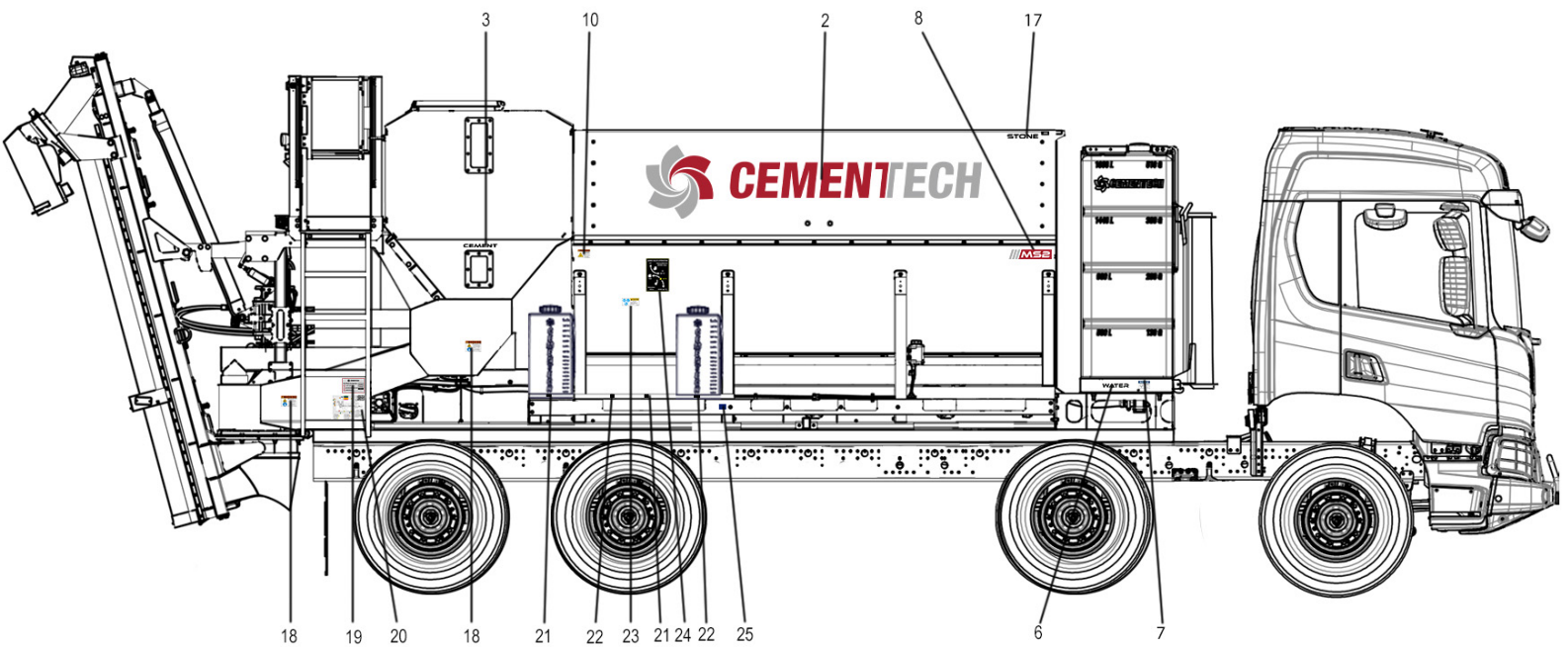
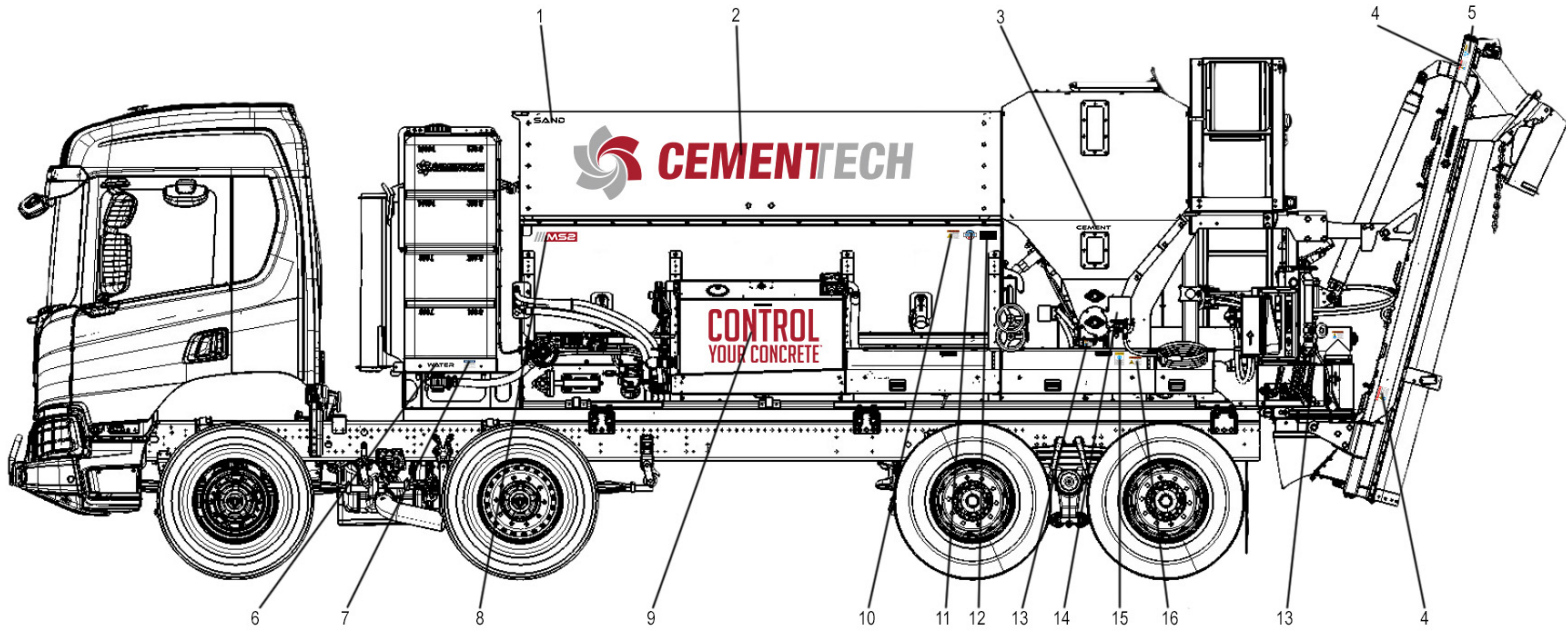
Item	Description	Part Number	Qty
1	PLASTIC LUMBER	5145-049-00	2
2	PLASTIC LUMBER	5145-054	2
3	TIE DOWN	2581-270-00	6
4	SPRING	5379-041	8
5	NUT	5300-413	8
6	CARRIAGE BOLT	5325-440	8
7	LOCK WASHER	5305-400	8
8	FLAT WASHER	5310-400	8
9	BOLT	5309-416-002	18
10	FLANGE LOCK NUT	5307-413-002	18
11	LOCK NUT	5302-710	12
12	FLAT WASHER	5370-700	24
13	MUD FLAP	5135-420-000	1
14	BOLT	315-210	4
15	FLAT FENDER WASHER	5310-221	4
16	FLANGE LOCK NUT	5307-216-000	4
17	BOLT	5315-752	8
18	SIDE GUARD MOUNT, RH	2581-297-00	2
19	SIDE GUARD MOUNT, LH	2581-296-00	2
20	BOLT	5315-724	4
21	LAG SCREW	5336-206-000	2
22	FLAT WASHER	5310-201-000	2

Pump Mounting

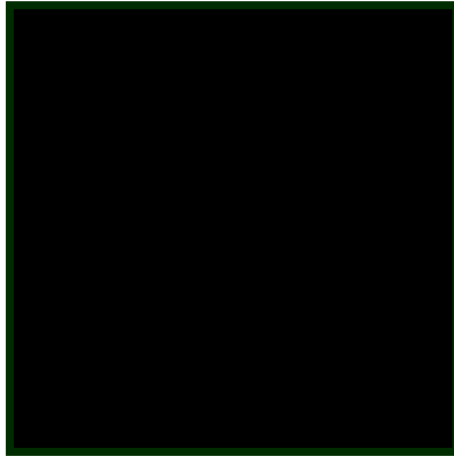


Unit Mounting

Item	Description	Part Number	Qty
1	BRACKET: HYDRAULIC PUMP HOSES	2581-066-02	1
2	EDGE TRIM	5161-108	1.50'
3	ELBOW, STAINLESS	5004-180-001	2
4	KC NIPPLE	5070-180	2
5	BULKHEAD UNION	5223-045-002	1
6	BULKHEAD UNION	5223-046-002	1
7	HYDRAULIC ELBOW	5223-088-001	1
8	HYDRAULIC ELBOW	5223-000-003	1
9	BULKHEAD UNION	5223-044-002	1
10	CAP	5224-FF304-C-12	1
11	CAP	5224-FF304-C-16	1
12	CAP	5224-FF304-C-08	1
13	WIRE TIE	5532-115	2
14	T-BOLT CLAMP	5370-532.10	2
15	BOLT	5309-208-000	2
16	FLANGE LOCK NUT	5307-216-000	2
17	HYDRAULIC HOSE	2603-501-01	1
18	HYDRAULIC HOSE	2603-502-01	1
19	HYDRAULIC HOSE	2603-503-01	1
20	SUCTION/DISCHARGE HOSE	5400-322	21.00'



Item	Description	Part Number	Qty
1	SAND LABEL, BLK	0906-003-03	1
	SAND LABEL, WHT ¹	0906-004-03	1
2	CTI 88" LOGO, CLR	0906-095-02	2
	CTI 88" LOGO, WHITE ¹	0906-096-02	2
3	CEMENT LABEL, BLK	0906-097-02	2
	CEMENT LABEL, WHT ¹	0906-098-02	2
4	KEEP CLEAR OF AUGERS SM	0906-028-01	2
5	CEMENT CORROSION	0906-030-01	2
6	WATER LABEL, BLK	0906-009-03	2
	WATER LABEL, WHT ¹	0906-010-03	2
7	DO NOT OVERFILL	0906-040-01	2
8	MS2 AGBIN, CLR	0906-024-03	2
9	CONTROL YOUR CONCRETE, CLR	0906-099-02	1
	CONTROL YOUR CONCRETE, WHT ¹	0906-000-03	1
10	CHECK BEFORE LOADING	0906-024-01	2
11	MADE IN USA	0906-007-01	1
12	CTI SN PLATE	2332-001-00	1
13	KEEP CLEAR OF AUGERS LG	0906-025-01	4
14	WO/BO VALVE OPERATION	0906-034-03	1
15	LOUD NOISES	0906-033-01	
16	STORED ENERGY	0906-035-01	1
17	STONE LABEL, BLK	0906-007-03	1
	STONE LABEL, WHT ¹	0906-008-03	1
18	OPERATE WITH COVERS	0906-027-01	2
19	LUBE DECAL, MECH CBIN	0906-032-03	1
20	PARTS AND SERVICE	0906-006-01	1
21	ADMIX 2 LABEL	2496-009-00	2
22	ADMIX 1 LABEL	2496-008-00	2
23	ADMIX CORROSION	0906-031-01	1
24	ADMIX VALVE OPERATION	0906-033-03	1



CTI BLACK



CTI WHITE



CTI GRAY

Item	Description	Part Number	Qty
1	CTI BLACK CAN	5705-018-001	12oz
2	CTI WHITE CAN	5705-003-001	12oz
3	CTI GRAY CAN	5705-090-001	12oz

The colors displayed in this manual may not accurately reflect the paint on your unit. To purchase all additional paint please contact your authorized Cemen Tech Parts Dealer.

How Does It Work...

In the early 1970's, Cemen Tech realized the advantages volumetric mixing had over traditional concrete production methods. The drawing below illustrates how a volumetric mixer works.

Material Storage

Each concrete ingredient (sand, stone, cement, water, and admixture) is contained in a separate compartment. **(1)** Sand and stone are stored in open bins.

(2) Cement is stored in a closed, watertight bin behind the aggregates. **(3)** Water is provided in an auxiliary tank. **(4)** Conveniently located admixture tanks are integrated into the system.

Setting The Controls

Once the storage bins are loaded, the operator will select the correct mix design for that pour. **(5)** The sand and stone gate will adjust to their correct position, and admixture and water flow rates are set.

Concrete Production

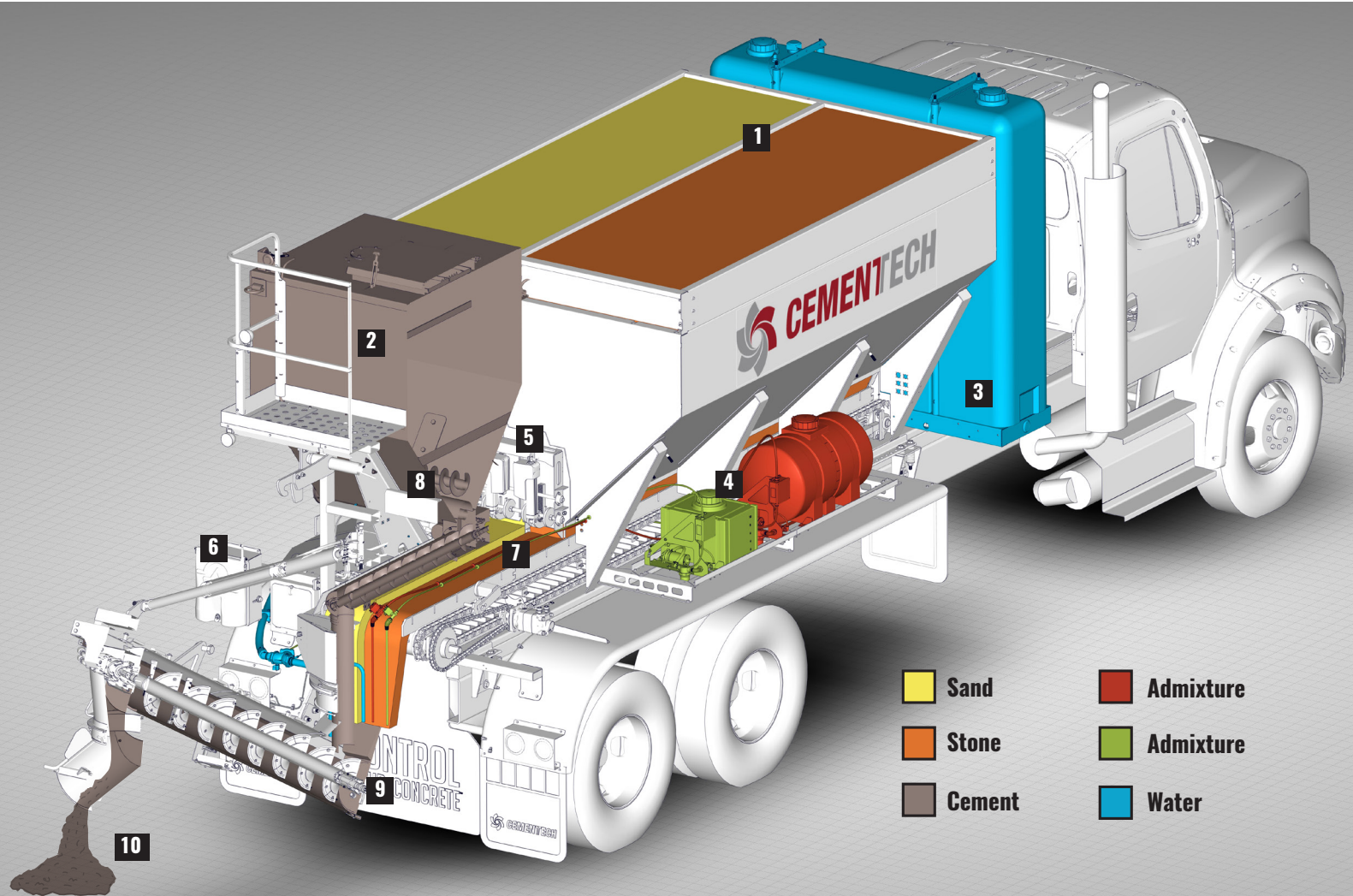
(6) The operator hits the start button to begin operation. **(7)** As the sand and stone exit their respective bins, they pass under the "strike off" gates. The materials then pass under the cement bin and falls into the mixing auger.

(8) The cement bin precisely meters the correct amount of cement onto the mix.

The dual auger cement metering means consistent mix designs within +/-1 percent on every pour. **(9)** All materials simultaneously enter the continuous mixer where they are thoroughly mixed by Cemen Tech's unique mix auger. **(10)** The homogeneous concrete mixture is then carried to the discharge chute. Perfect concrete is produced for each and every pour.

The Results

- Superior Quality
- Exact Quantity
- No Waste



TO LEARN HOW TO CONTROL YOUR CONCRETE,
CALL 800.247.2464 OR VISIT CEMENTTECH.COM





ACCU-POUR™

The SMART Solution For Volumetric Fleets



accu-pour.com



CEMENTTECH

CONTROL YOUR CONCRETE™



CEMENTECH

**CHANGING THE INDUSTRY,
CHANGING PEOPLE'S LIVES.**

Cemen Tech Inc.
1700 N. 14th St. Indianola, IA 50125

cementech.com
+1 800 247-2464 +1 515 961-7407

