



# CS2 MOBILE MIXER PARTS MANUAL

CS2E VMPP BLOCK 0.01



# CONNECT

**REMOTE VIDEO SUPPORT**

**PARTS IDENTIFICATION**

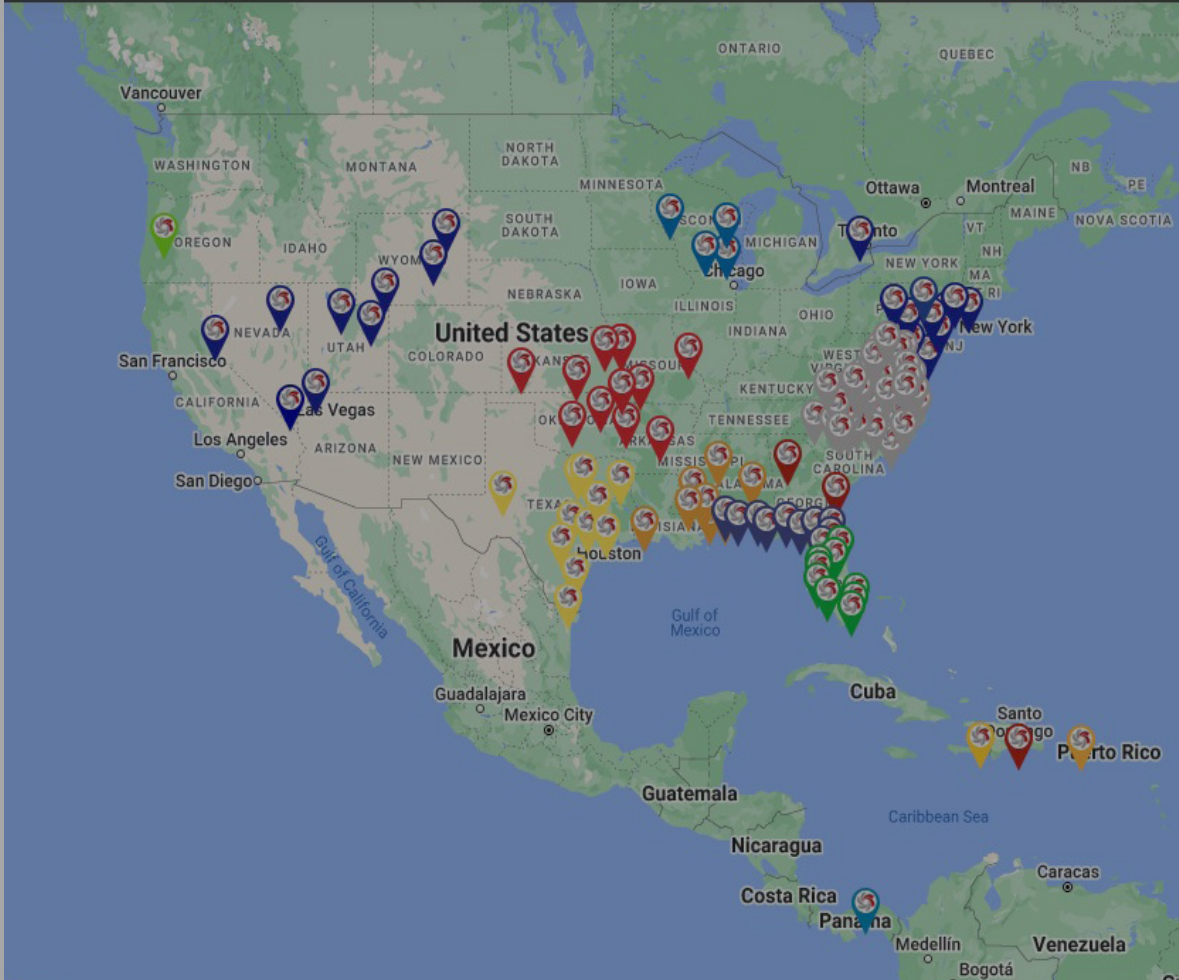
**LIMIT DOWNTIME**

**TECHNICAL FIELD SUPPORT**

**NO-COST SERVICE**



[cementtech.com/cemen-tech-connect](https://cementtech.com/cemen-tech-connect)



## Dealer Inquiry

First Name\*

Last Name

Email\*

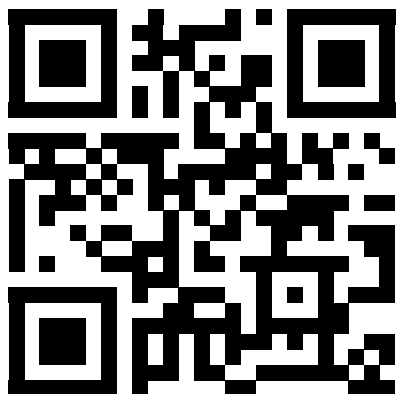
Phone Number

Website URL

Country\*

- Please Select -

City



**Enjoy support from your local Cemen Tech dealer and the factory before, during, and after the sale. No other volumetric concrete mixer manufacturer offers a North American network like this for sales and support.**

[cementtech.com/find-a-cemen-tech-dealer](https://cementtech.com/find-a-cemen-tech-dealer)

# Table of Contents

1. Conveyor	
1.1. Conveyor & Belt Assembly	8
1.2. Chain Oiler	14
1.3. Mounting Brackets	16
2. Aggregate Bin	
2.1. Aggregate Bin	18
2.2. 2 Yard Extension	20
2.3. Manual Gates	22
2.4. Auto Gates	24
2.5. Auto Tarp	26
3. Cement Bin	
3.1. Cement Bin	28
3.2. Cement Bin Windows	30
3.3. Cement Bin Lid	32
3.4. Cement Bin Augers	34
3.5. Cement Bin Breather Vent	36
3.6. Cement Bin Drive: Hydraulic Cement Bin	38
3.7. Cement Bin Drive: Mechanical Cement Bin	40
3.8. Transfer Auger Housing	46
3.9. Transfer Auger Drive: Hydraulic Cement Bin	48
3.10. Transfer Auger Drive: Mechanical Cement Bin	50
3.11. Drive Shields: Hydraulic Cement Bin	52
3.12. Drive Shields: Mechanical Cement Bin	54
3.13. Work Platform	56
4. Mixer	
4.1. Mixer Install: 360 Swivel Chute	58
4.1.1. Mixer Assembly: 360 Swivel Chute	62
4.2. Mixer Install: Dual Cylinder Chute Lift	64
4.2.1. Mixer Assembly: Dual Cylinder Chute Lift	68
4.3. Mixer Auger, Idler End, and Drive End	70
4.3.1. Mixer Discharge Chutes	74
4.4. Mixer Diaper	76
4.5. Mixer Swivel	80
4.5.1. Mixer Fairlead	82
4.5.2. Mixer Swivel Hoses	84
4.6. Transport Hooks	86
4.7. Extra Chutes: Water Tank Mounted	88
4.8. Mixer Grease Gun	90
4.9. Mixer Heat Shield	92
4.10. Mixer Safety Switch	94
5. Water	
5.1. Water System	96
5.1.1. Water Tank and Base	98

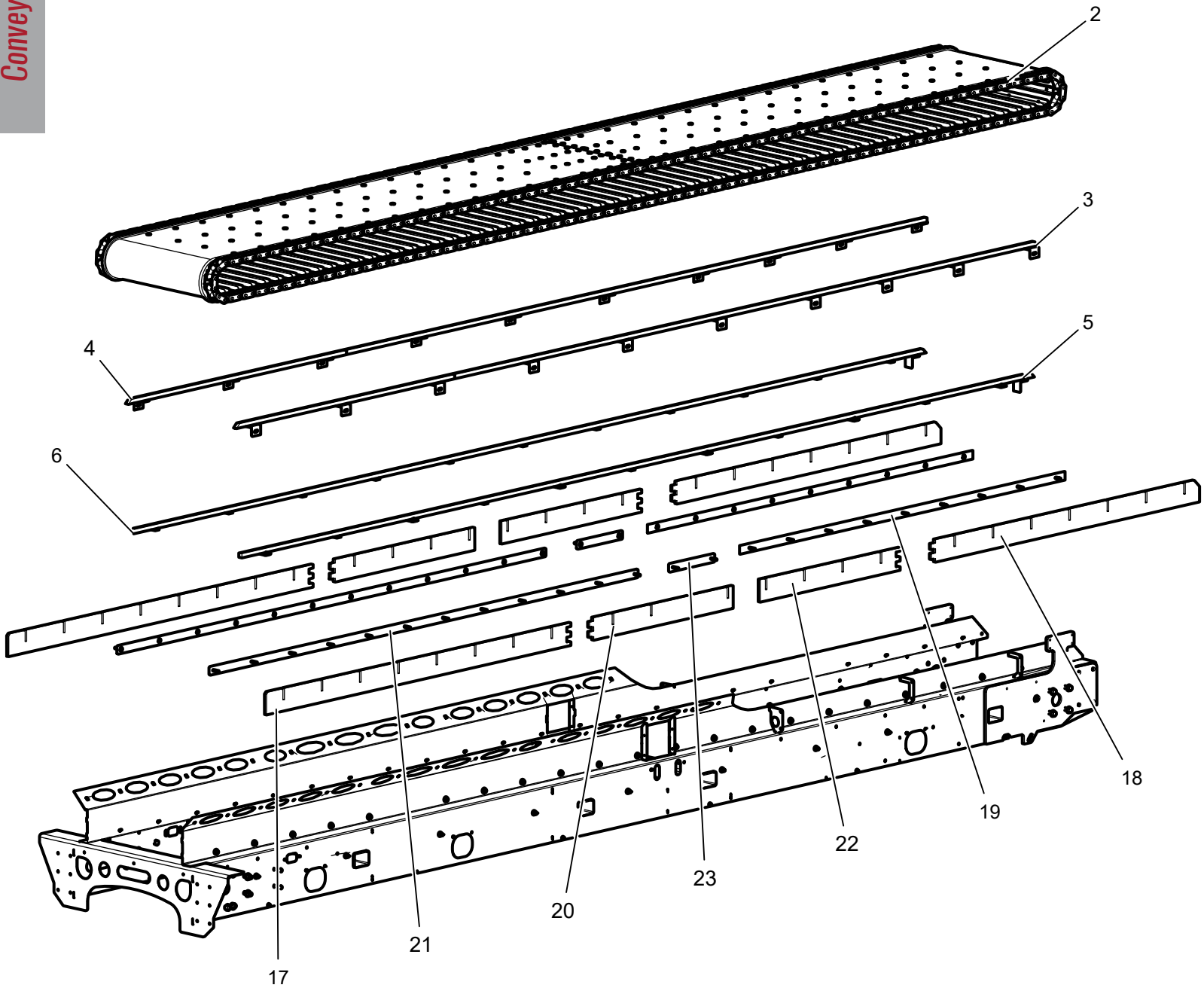
5.1.2. Water Tank Mounting & Riser . . . . .	100
5.1.3. Water Pump . . . . .	102
5.1.4. Water Pipe . . . . .	104
5.1.5. Washout Hose Reel . . . . .	106
5.1.6. Water Shutoff Valve . . . . .	108
<b>6. Pneumatic</b>	
6.1. Pneumatic System . . . . .	110
6.2. Pneumatic Valve Bank . . . . .	112
6.3. Air Regulator . . . . .	114
6.4. Cement Bin Vibrators & Aerators . . . . .	116
<b>7. Hydraulic</b>	
7.1. Hydraulic System: Hydraulic Cement Bin . . . . .	118
7.2. Hydraulic System: Mechanical Cement Bin . . . . .	120
7.3. Hydraulic Tubes . . . . .	122
7.4. Oil Cooler . . . . .	124
7.5. Return Manifold . . . . .	126
7.6. Hydraulic Tank . . . . .	128
7.7. Water/Hoist/Swivel Valve . . . . .	130
7.8. Mixer Valve . . . . .	132
7.9. Conveyor Valve: Hydraulic Cement Bin . . . . .	134
7.10. Conveyor Valve: Mechanical Cement Bin . . . . .	136
7.11. Hydraulic Valve Covers . . . . .	138
<b>8. Admixture</b>	
8.1. Admixture Tank Assembly . . . . .	140
8.2. Admixture Discharge Valve . . . . .	144
8.2.1. Low Flow Admixture Pump . . . . .	146
8.3. Fiber Chopper System . . . . .	148
8.3.1. Fiber Chopper Assembly . . . . .	150
<b>9. Electrical</b>	
9.1. ACCU-POUR™ & Ticket Printer . . . . .	154
9.2. Control Panel . . . . .	156
9.3. Control Panel Assembly . . . . .	158
9.4. Wireless Remote . . . . .	162
9.5. LH Main Harness . . . . .	164
9.6. RH Main Harness . . . . .	166
9.7. LH Electrical Controls . . . . .	168
9.8. RH Electrical Controls . . . . .	170
9.9. Truck Connections . . . . .	178
9.10. Battery Connections . . . . .	180
9.11. Wireway . . . . .	182
9.12. Backup Alarm . . . . .	184
9.13. Moisture Sensors . . . . .	186

# Table of Contents

---

<b>10. Lights</b>	
10.1. Strobe Lights . . . . .	190
10.2. Clearance Lights . . . . .	192
10.3. Side Marker Light Wireloom . . . . .	194
<b>11. Unit Mounting</b>	
11.1. Unit Mounting: Renault . . . . .	196
11.2. Pump Mounting . . . . .	198
<b>12. Decals &amp; Paint</b>	
12.1. Decals . . . . .	200
12.2. CTI Paint . . . . .	202

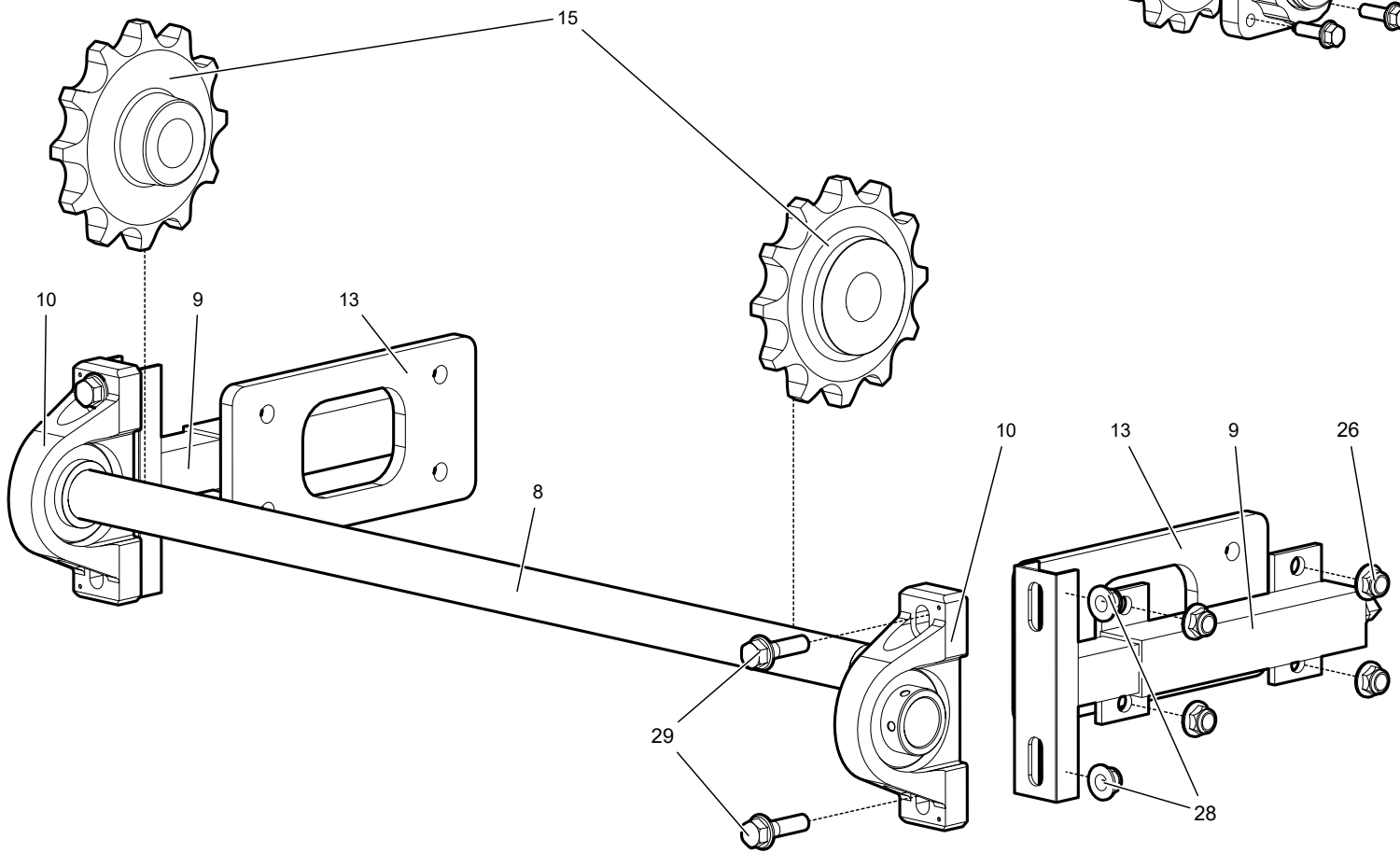
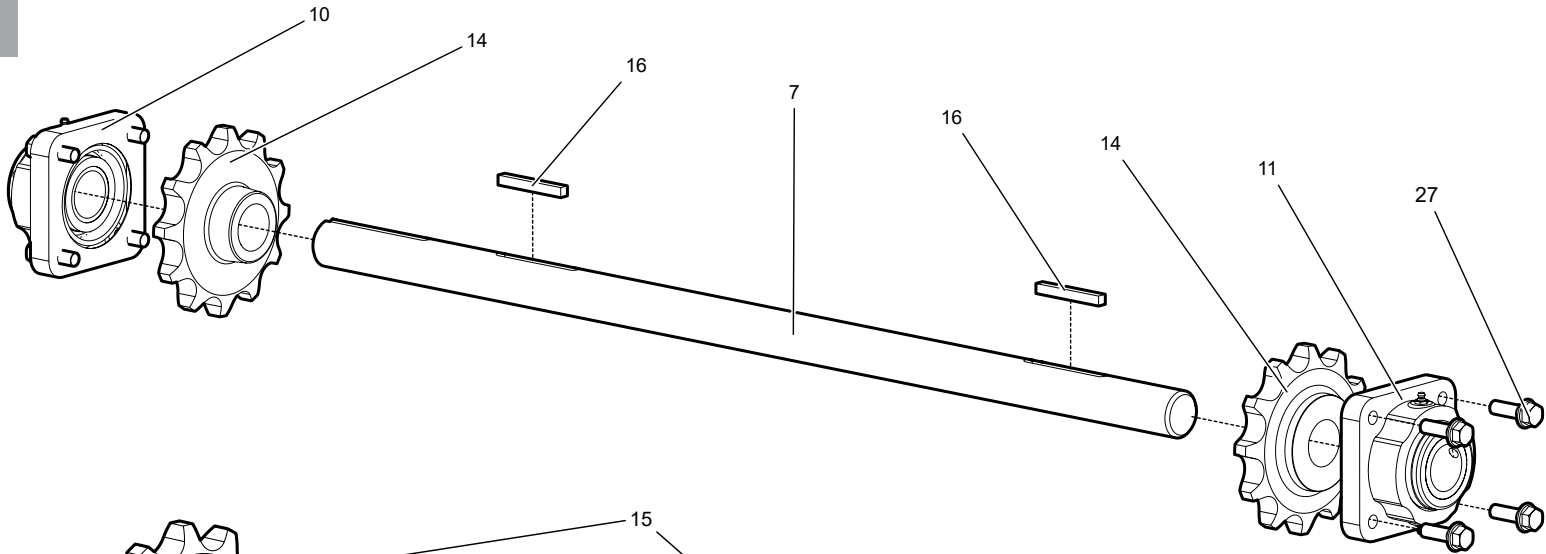




Item	Description	Part Number	Qty
2	CHAIN AND BELT	0370-110-00	1
3	CHAIN RAIL, LH UPPER	1068-201-00	1
4	CHAIN RAIL, RH UPPER	1068-202-00	1
5	CHAIN RAIL, LH BOTTOM	2603-288-00	1
6	CHAIN RAIL, RH BOTTOM	2603-289-00	1
17	MATERIAL GUIDE	0859-037-00	2
18	MATERIAL GUIDE	0859-018-00	2
19	MATERIAL GUIDE, RETAINER	1767-019-00	2
20	MATERIAL GUIDE	0859-033-00	2
21	MATERIAL GUIDE, RETAINER	2542-489-01	2
22	MATERIAL GUIDE	0859-036-00	2
23	MATERIAL GUIDE, RETAINER	2542-492-01	2

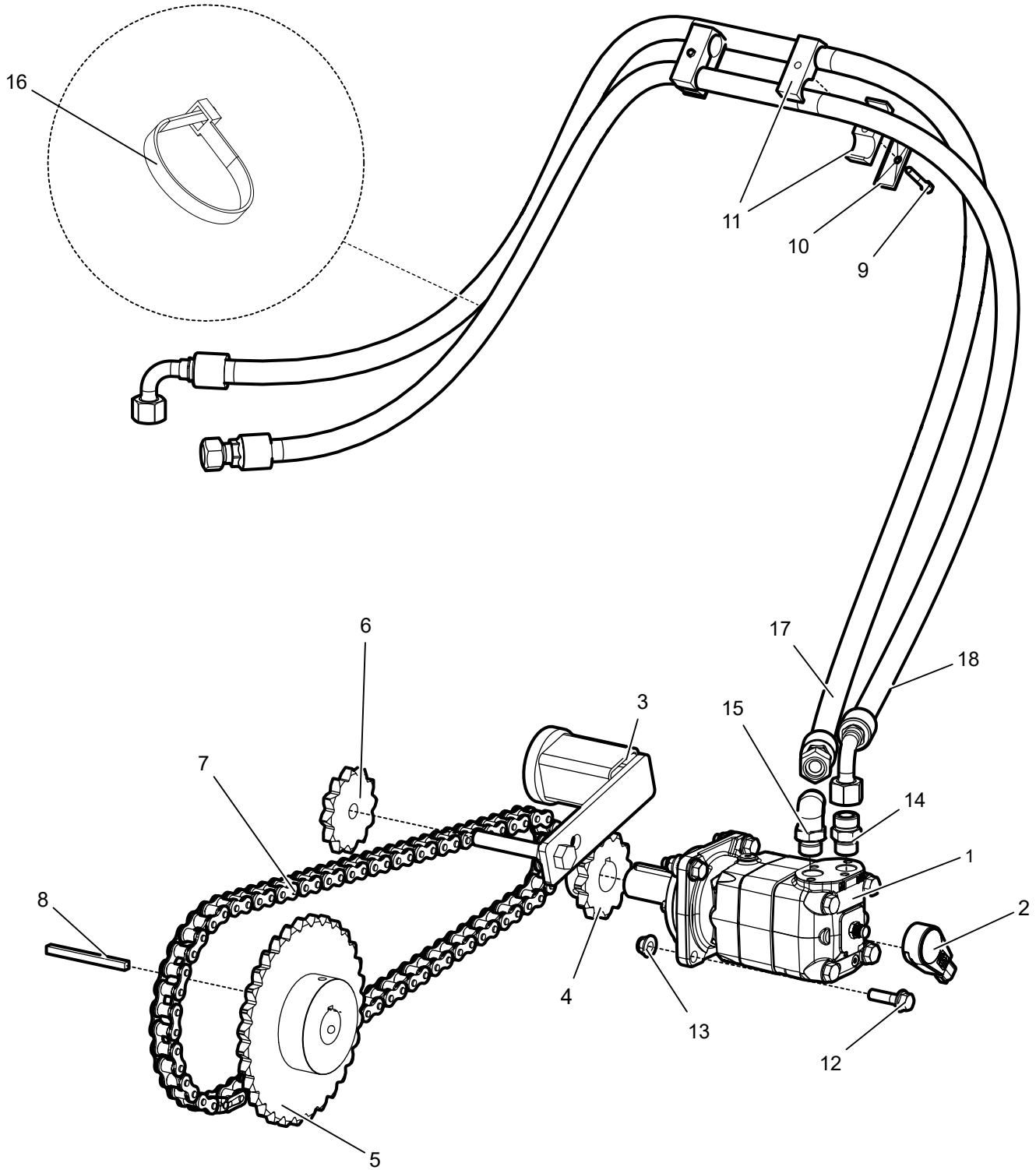
Continued on next page

REAR



FRONT

Item	Description	Part Number	Qty
7	CONVEYOR DRIVE SHAFT	2542-065-00	1
8	IDLER SHAFT	2542-071-09	1
9	TAKE-UP BEARING	5155-250-000	2
10	BEARING	5152-124-002	2
11	BEARING	5151-129-001	1
12	BEARING	5151-129-000	1
13	TENSIONER SPACER	2581-045-01	2
14	DRIVE SPROCKET	5179-212B	2
15	IDLER SPROCKET	5179-212A	2
16	KEY STOCK	5375-004-00300	2
26	FLANGE LOCK NUT	5307-216-000	20
27	BOLT	5309-412-000	8
28	FLANGE LOCK NUT	5307-413-000	12

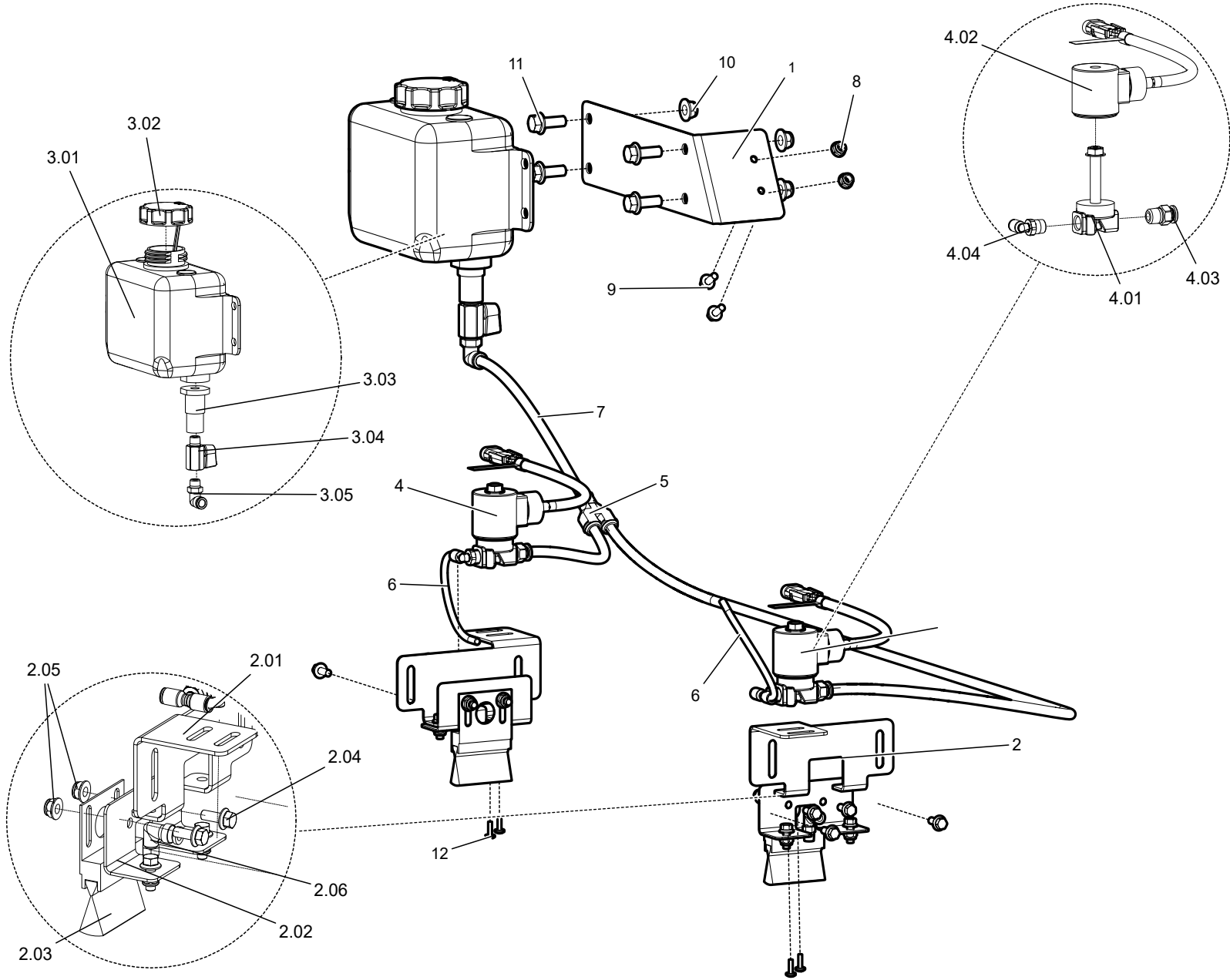


Item	Description	Part Number	Qty
1	HYDRAULIC MOTOR	5233-700-000	1
2	ENCODER	5508-202-000	1
3	TENSIONER	5813-004	1
4	SPROCKET	5176-212A	1
5	SPROCKET	5176-231	1
6	IDLER SPROCKET	5176-812	1
7	CHAIN	2603-061-03	1
8	KEY STOCK	5375-004-00463	1
9	CLAMP BOLT	5370-428.07	2
10	COVER PLATE	5370-428.05	2
11	CLAMP BODY	5370-428.01	2
12	BOLT	5309-414-000	4
13	FLANGE LOCK NUT	5307-413-000	4
14	HYDRAULIC CONNECTOR, STR	5223-051-000	1
15	HYDRAULIC CONNECTOR, 90	5223-055-000	1
16	WIRE TIE	5532-115	2
17	HYDRAULIC HOSE	2603-546-02	1
18	HYDRAULIC HOSE	2603-547-02	1

#### REPLACEMENT KITS

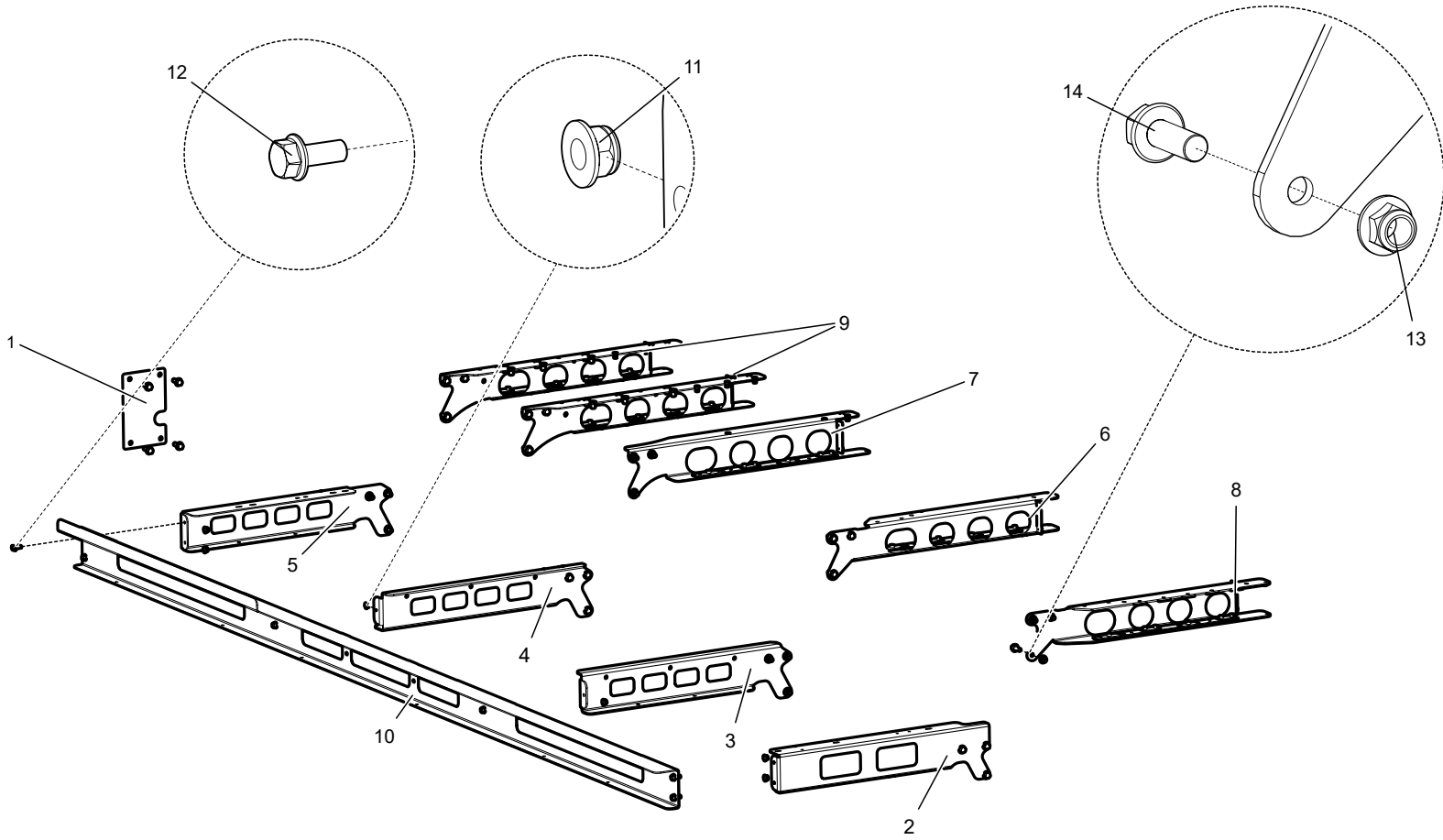
Item	Description	Part Number	Qty
RK1	MOTOR SEAL KIT	5233-700-001	1

# Chain Oiler



Item	Description	Part Number	Qty
1	CHAIN OILER RESERVOIR MOUNT	2603-081-03	1
2.01	COIL MOUNT	2603-070-03	1
2.02	BRUSH MOUNT	2603-077-03	1
2.03	OIL RITE BRUSH	GPCS8127	1
2.04	BOLT	5309-0005	4
2.05	FLANGE LOCK NUT	5307-020-000	4
2.06	PUSHLOCK 90	5077-522	1
3.01	OIL RESERVOIR	2581-050-01	1
3.02	OIL RESERVOIR CAP	5200-530-002	1
3.03	BULKHEAD	5457-940	1
3.04	BALL VALVE	5456-158-000	1
3.05	PUSHLOCK 90	5077-544-001	1
4.01	ELECTRIC VALVE	5405-218-000	1
4.02	SHUTOFF COIL, 24V	2552-302-00	1
4.03	PUSHLOCK STRAIGHT	5079-444	1
4.04	PUSHLOCK 90	5077-523	1
5	PUSHLOCK UNION Y	5077-820-011	1
6	AIRLINE TUBING	5075-204	1.34'
7	AIRLINE TUBING	5075-206	5.66'
8	FLANGE LOCK NUT	5307-020-000	2
9	BOLT	5309-005-000	6
10	FLANGE LOCK NUT	5307-216-000	4
11	BOLT	5309-208-000	4
12	SCREW	5335-320-001	4

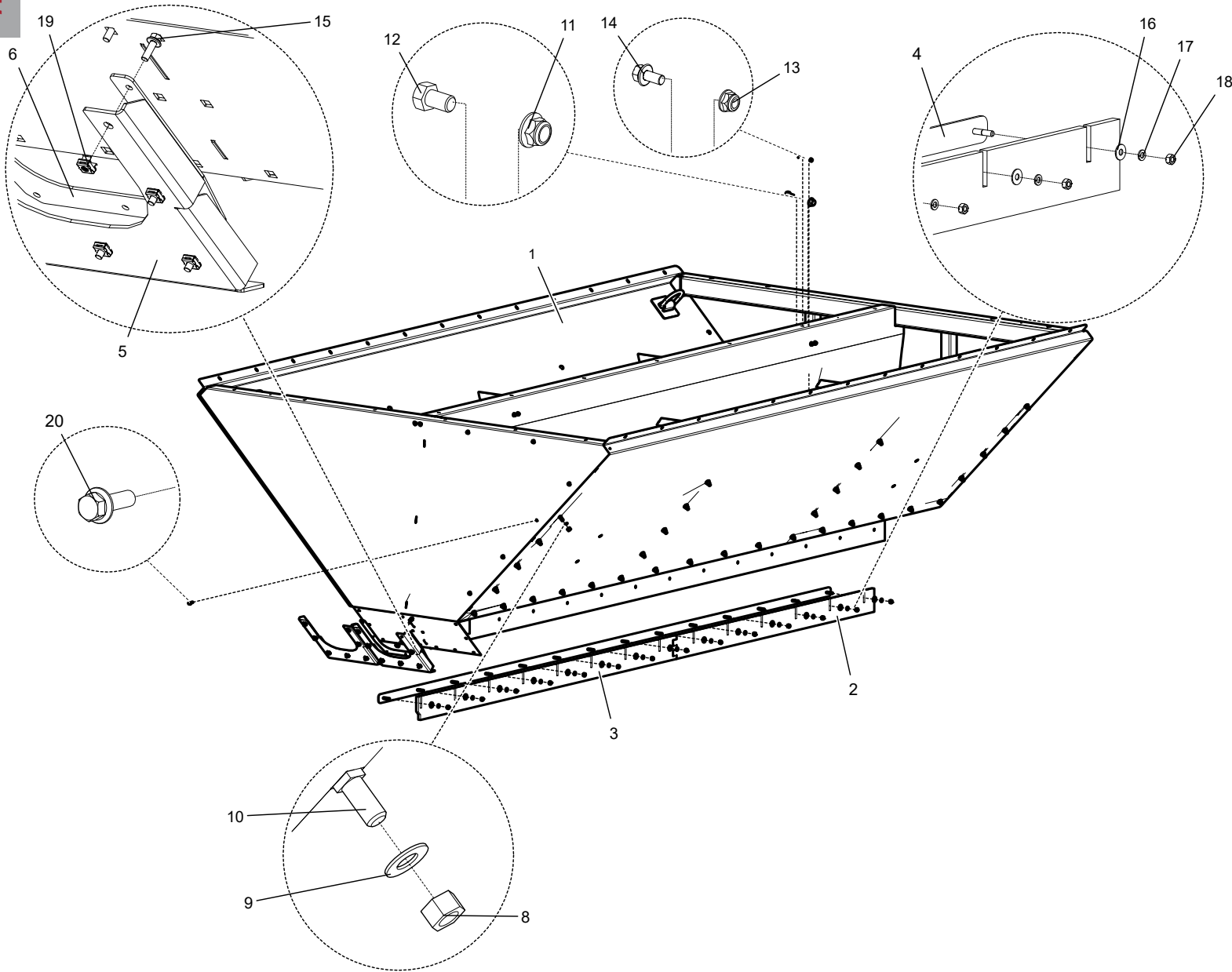
# Mounting Brackets



Item	Description	Part Number	Qty
1	MOTOR MOUNT COVER	2603-053-00	1
2	FENDER BRACKET, FRONT RH	2603-054-10	1
3	FENDER BRACKET, FRONT RH	2603-074-11	1
4	FENDER BRACKET, BACK/MID RH	2603-075-11	1
5	FENDER BRACKET, GATEWALL RH	2603-076-11	1
6	FENDER BRACKET, HYD TANK LH	2603-240-03	1
7	FENDER BRACKET, GATEWALL LH	2603-241-03	1
8	FENDER BRACKET, HYD TANK LH	2603-242-03	1
9	FENDER BRACKET, REAR LH	2603-278-03	2
10	RH FENDER RAIL BRACKET	2603-069-10	1
11	FLANGE LOCK NUT	5307-118-000	6
12	BOLT	5309-106-000	6
13	FLANGE LOCK NUT	5307-216-000	27
14	BOLT	5309-208-000	31

# Aggregate Bin

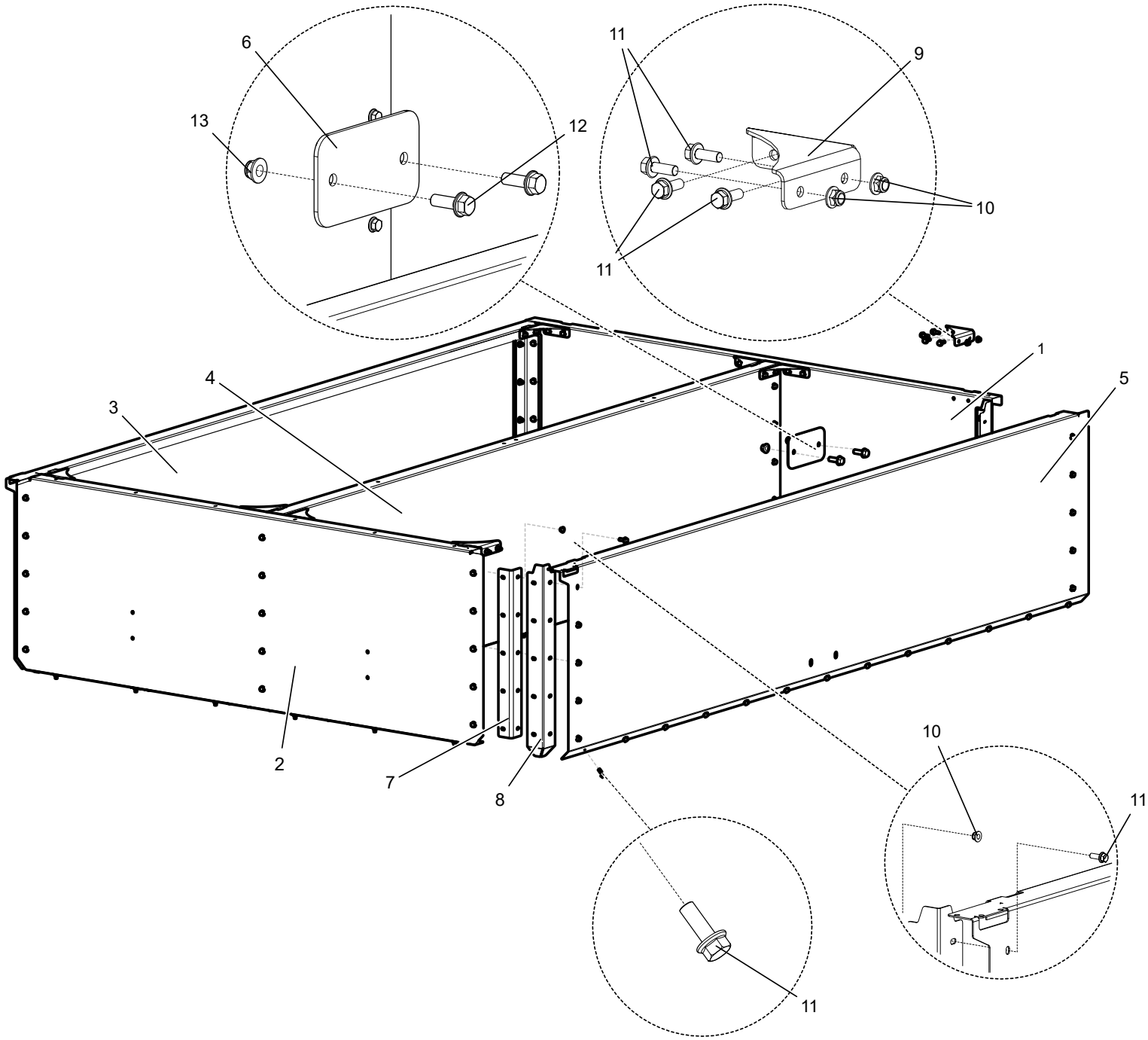
Aggregate Bin



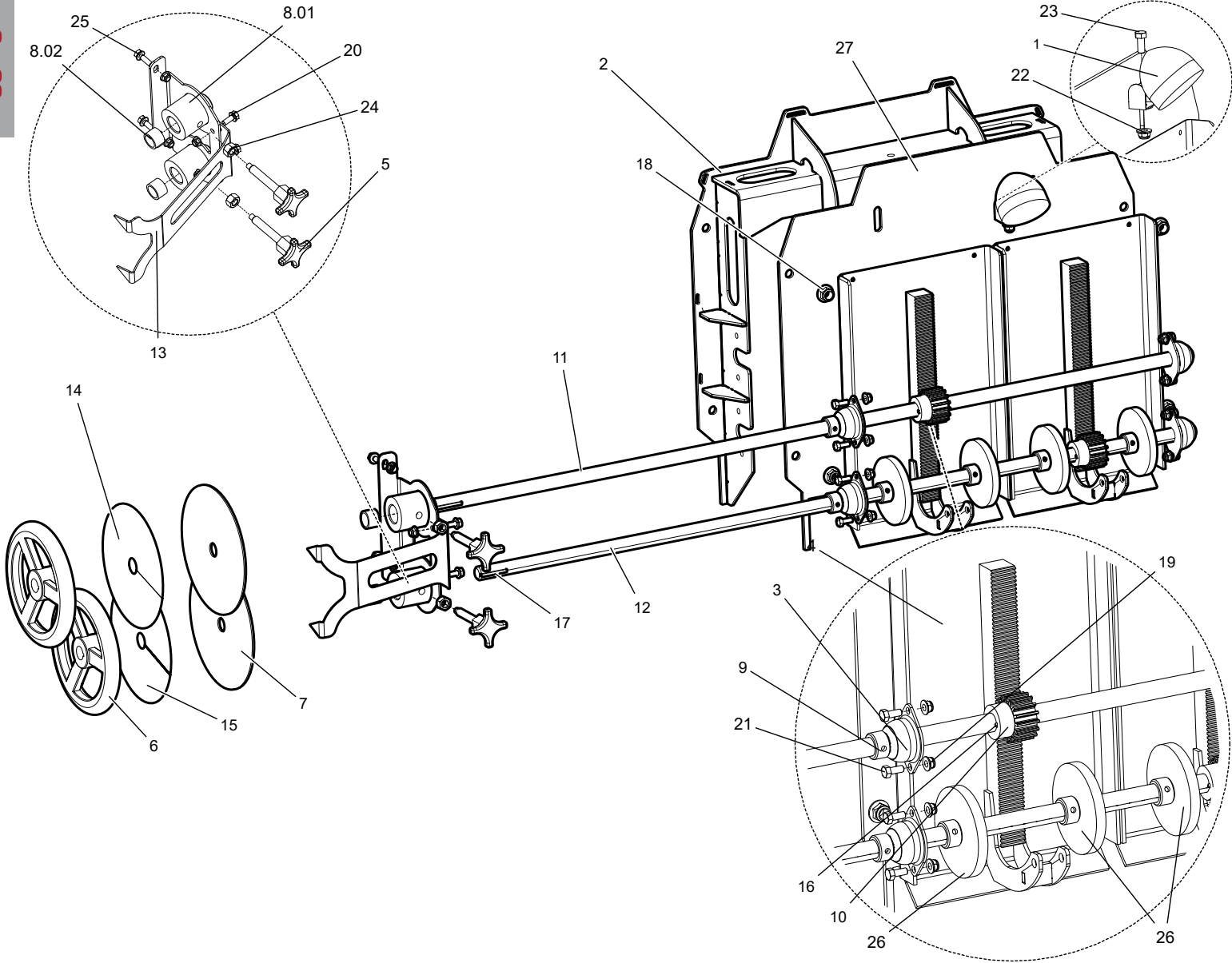
Item	Description	Part Number	Qty
1	AG-BIN, 132" LIGHTWEIGHT	2063-223-03	1
2	MATERIAL GUIDE	0859-025-00	1
3	MATERIAL GUIDE	0859-024-00	1
4	MATERIAL GUIDE RETAINER	1767-012-00	1
5	BELT WIPER	2542-061-01	2
6	BELT WIPER RETAINER	2603-055-01	2
7	FLANGE LOCK NUT	5307-216-000	4
8	NUT	5300-216	64
9	FLAT WASHER	5310-201-000	64
10	CARRIAGE BOLT	5325-200-000	64
11	FLANGE LOCK NUT	5307-611-000	4
12	BOLT	5315-608	4
13	FLANGE LOCK NUT	5307-020-000	8
14	BOLT	5309-004-000	8
15	BOLT	5309-006-000	20
16	FLAT WASHER	5310-100-004	14
17	LOCK WASHER	5305-100-001	14
18	NUT	5300-118-001	14
19	CAGE NUT	5300-020-100	14
20	BOLT	5326-208-000	4

# 2 Yard Extension

Aggregate Bin

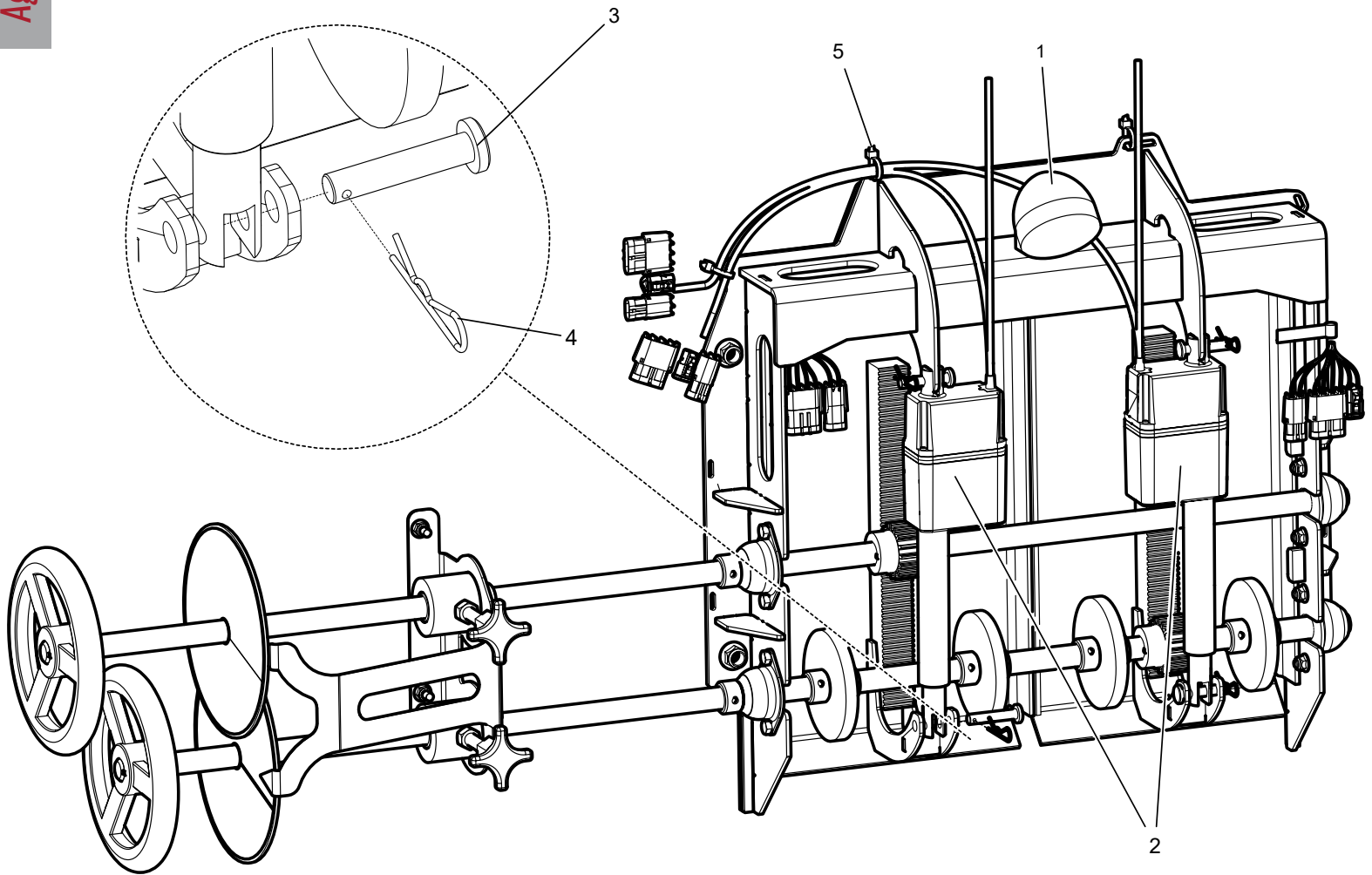


Item	Description	Part Number	Qty
1	EXTENSION, REAR	2603-234-03	1
2	EXTENSION, FRONT	2603-080-11	1
3	EXTENSION, RH	2603-235-03	1
4	EXTENSION, CENTER	2603-081-11	1
5	EXTENSION, LH	2603-236-03	1
6	TARP PIVOT MOUNT	2603-006-08	2
7	AGBIN CORNER BRACKET	2603-015-00	6
8	CORNER SEAL	2603-023-01	4
9	AGBIN BOLT ON GUSSET	2603-009-10	8
10	FLANGE LOCK NUT	5307-216-000	83
11	BOLT	5309-208-000	131
12	BOLT	5309-614-002	4
13	FLANGE LOCK NUT	5307-611-000	4
<i>Install Kit</i>			
IK1	2 YARD EXTENSION, LIGHTWEIGHT	2603-345-03	1



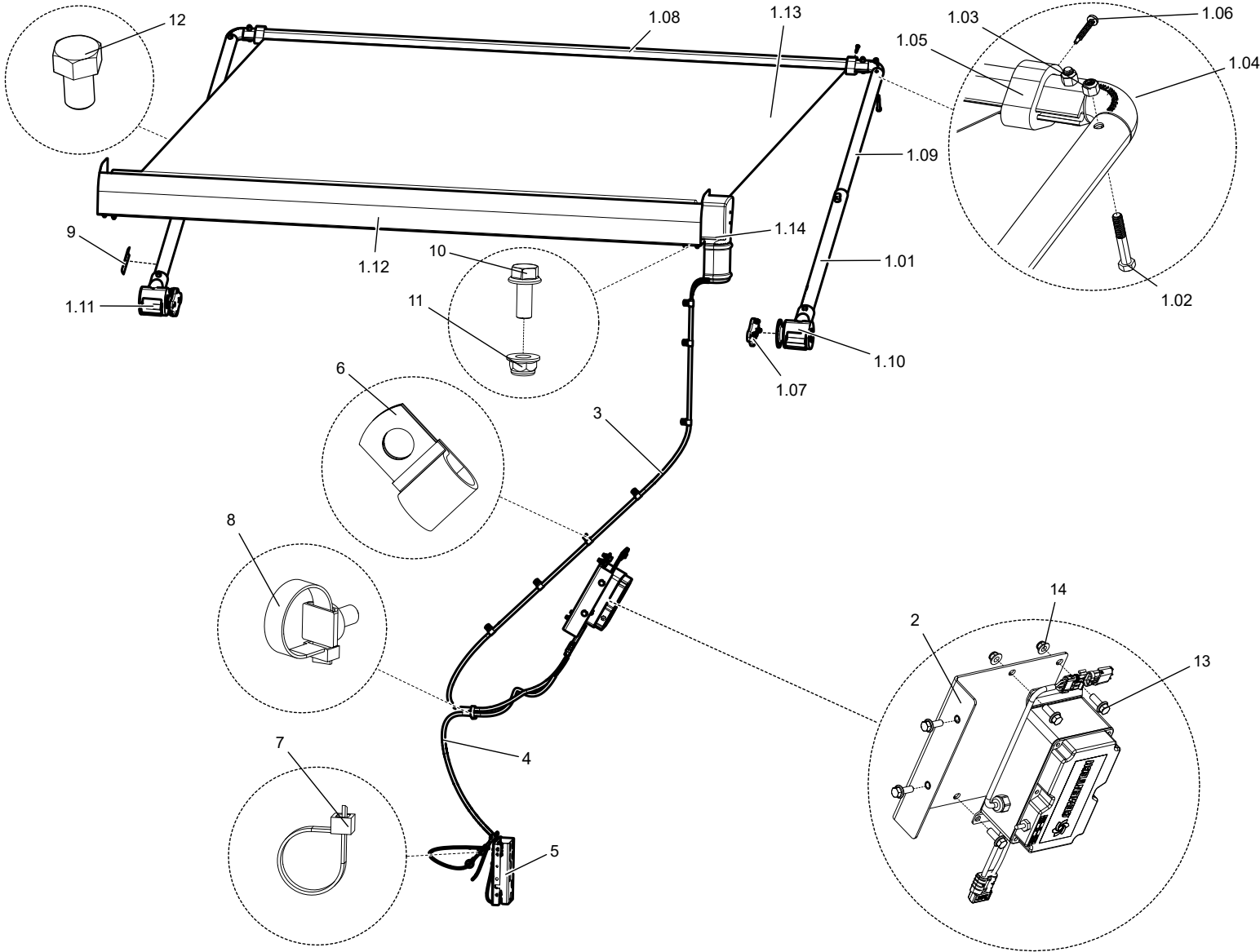
Item	Description	Part Number	Qty
1	WORK LIGHT	5540-155-008	1
2	AG-BIN GATE BRACKET	2603-298-03	1
3	BEARING FLANGE SLEEVE	5151-114-001	4
4	GATE	2542-260-03	2
5	KNOB	5850-100-001	2
6	GATE HANDLE	0963-007	2
7	WHEEL GATE LABEL	0476-203-00	2
8	SHAFT, SPROCKET, & LOCK	2603-474-02	1
8.01	DUAL GATE LOCK MOUNT	2603-299-03	1
8.02	BUSHING	5153-114-000	2
9	COLLAR	0963-037-00	12
10	SPUR GEAR	0963-036-00	2
11	UPPER SHAFT	2542-069-07	1
12	LOWER SHAFT	2542-070-07	1
13	POINTER, GATE DIAL	2542-071-07	1
14	DECAL: SAND DIAL	0906-020-00	1
15	DECAL: STONE DIAL	0906-021-00	1
16	KEY STOCK	5375-001-00200	2
17	KEY STOCK	5375-001-00175	2
18	FLANGE LOCK NUT	5307-413-000	4
19	FLANGE LOCK NUT	5307-118-000	12
20	BOLT	5309-106-000	2
21	BOLT	5315-106	8
22	FLANGE LOCK NUT	5307-216-000	1
23	BOLT	5315-207	1
24	NUT	5300-413	2
25	BOLT	5309-108-000	2
26	GATE ROLLER	2569-033-00	5
27	BACK PLATE	2603-023-04	1

Install Kit			
IK1	MANUAL GATES	2603-378-04	1



Item	Description	Part Number	Qty
1	WORK LIGHT	5540-155-008	1
2	MD LINEAR ACTUATOR, 24V	2552-364-06	2
3	CLEVIS PIN	5377-403-000	4
4	HAIR PIN	5377-312-000	4
5	WIRE TIE	5532-108	3

Install Kit			
IK1	AUTO GATES, 24V	2603-313-01	1

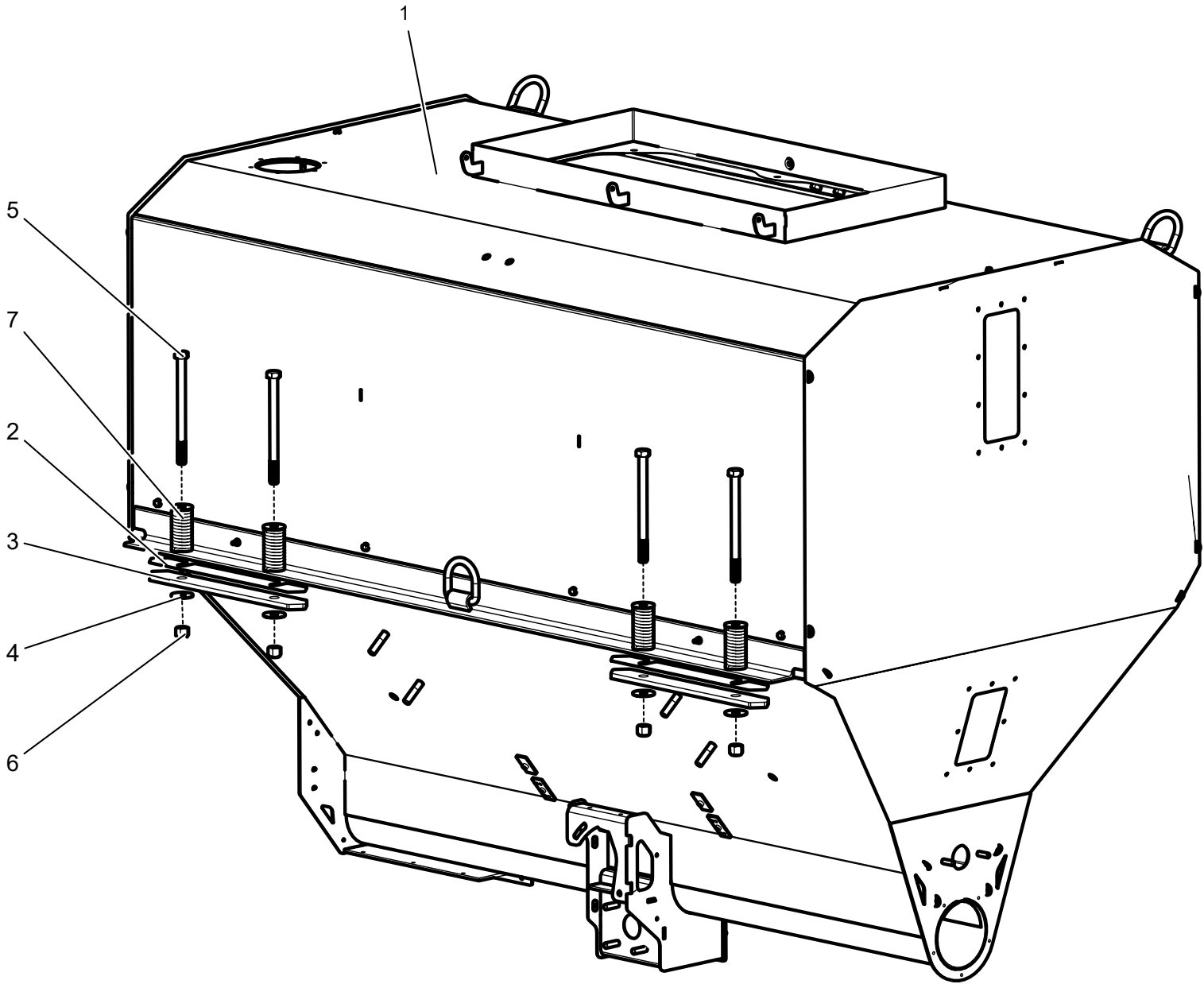


Item	Description	Part Number	Qty
1.01	LOWER TARP ARM	5910-791-009	2
1.02	BOLT	5309-218-002	4
1.03	NUT	5307-216-002	4
1.04	ELBOW	5910-791-003	2
1.05	CLAMP	5910-791-002	2
1.06	SCREW	5910-791-002	2
1.07	BOLT ON STUD PLATE	5910-791-013	2
1.08	REAR PULL BAR	5910-791-001	1
1.09	UPPER TARP ARM	5910-791-005	2
1.10	SPRING ENCLOSURE LH	5910-791-010	1
1.11	SPRING ENCLOSURE RH	5910-791-011	1
1.12	TARP HOUSING	5910-791-006	1
1.13	TARP, BLACK MESH	5910-791-000	1
1.14	MOTOR, 24V	5910-780.12	1
1.15	TARP CONTROLLER	2112-629-00	1
2	TARP SWITCH MOUNT	2603-450-01	1
3	TARP SWITCH WIRELOOM	2552-529-01	1
4	TARP BREAKER WIRELOOM, 24V	2552-529-06	1
5	BREAKER ASSEMBLY	2552-329-07	1
6	RUBBER DIP CLAMP	5370-740	7
7	WIRE TIE	5532-108	3
8	WIRE TIE TREE	5532-205-000	1
9	TARP TUBE LABEL	2552-829-00	2
10	BOLT	5309-106-000	6
11	FLANGE LOCK NUT	5307-118-000	6
12	BOLT	5315-406	2
13	BOLT	5309-208-000	6
14	FLANGE LOCK NUT	5307-216-000	4

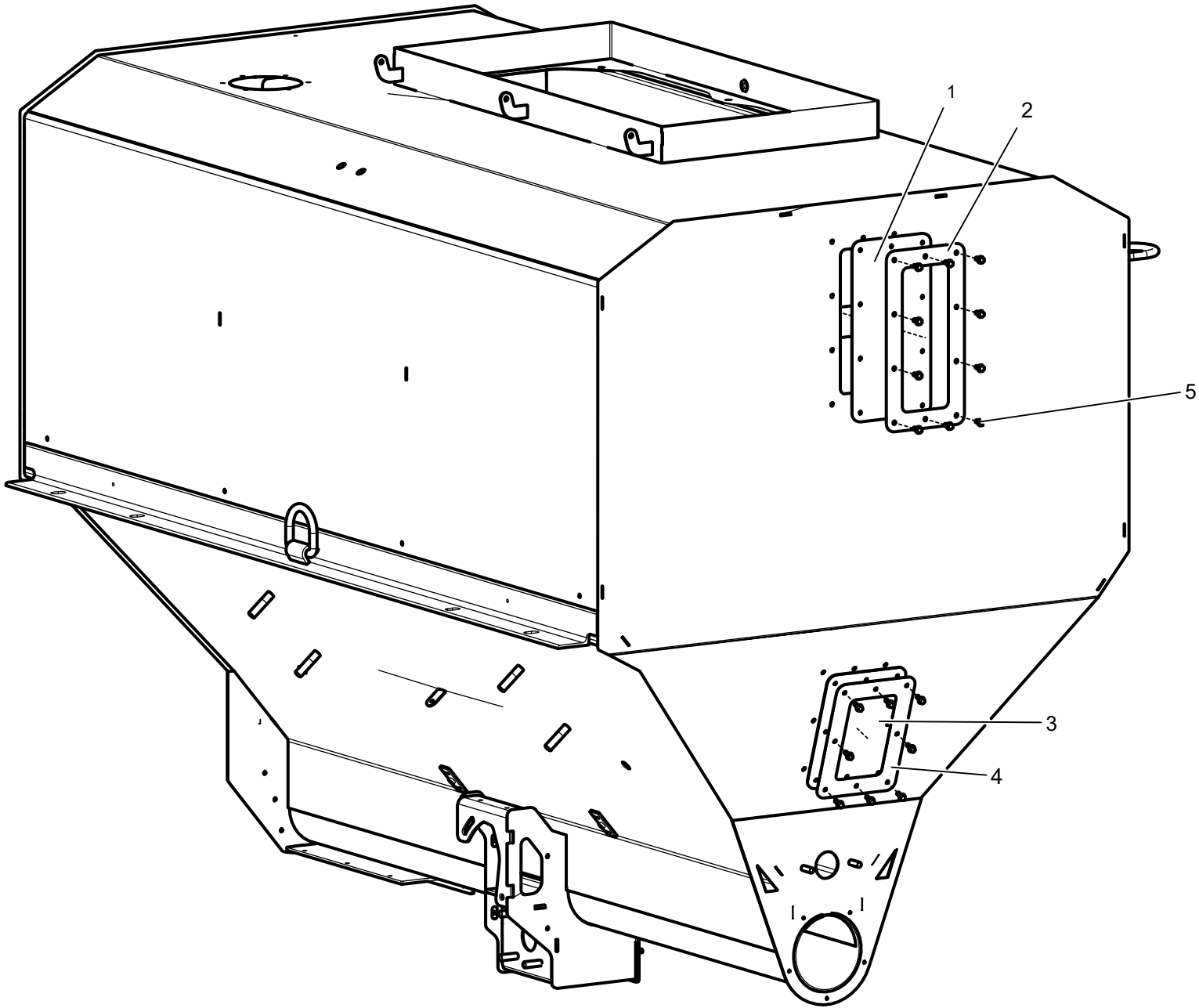
Install Kits			
IK1	MESH AUTO TARP, BLACK 24V	2603-314-02	1

# Cement Bin

Cement Bin



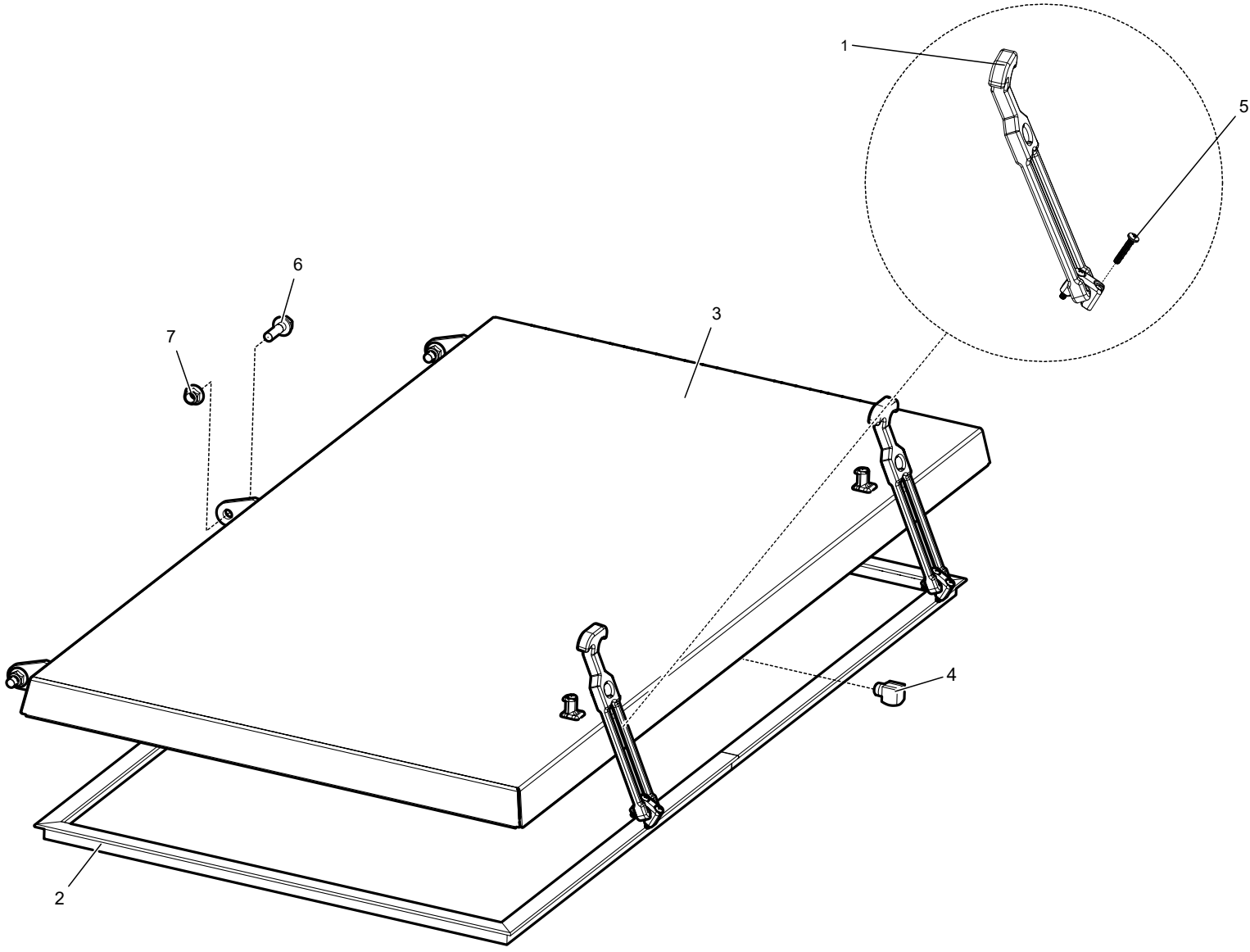
<i>Item</i>	<i>Description</i>	<i>Part Number</i>	<i>Qty</i>
1	CEMENT BIN, 115CF LW	2603-283-03	1
2	RUBBER SPACER	2603-059-03	2
3	MOUNT SHIM	2603-060-03	2
4	FLAT WASHER	5310-700	8
5	BOLT	5315-780	4
6	LOCKNUT	5302-710	4
7	SPRING	5379-041	4



<i>Item</i>	<i>Description</i>	<i>Part Number</i>	<i>Qty</i>
1	WINDOW, TOP	2542-058-02	2
2	BEZEL, TOP	2542-060-02	2
3	WINDOW, BOTTOM	2542-061-02	2
4	BEZEL, BOTTOM	2542-063-02	2
5	BOLT	5309-005-000	36

# Cement Bin Lid

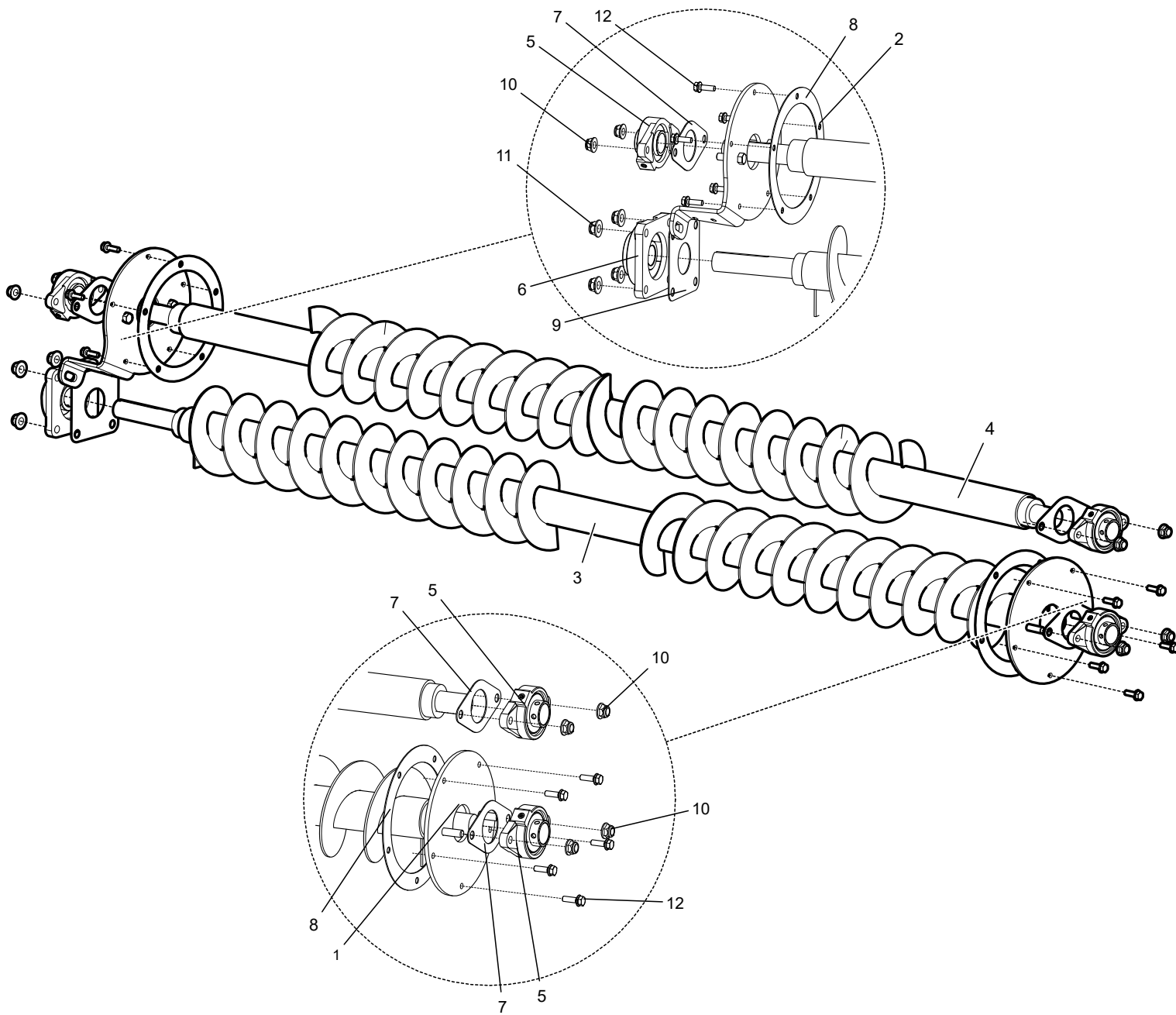
Cement Bin



<i>Item</i>	<i>Description</i>	<i>Part Number</i>	<i>Qty</i>
1	RUBBER LATCH	5370-622-000	2
2	WEATHERSTRIP	5161-104-12500	1
3	CBIN LID	2603-429-02	1
4	BRASS ELBOW 90	5003-110-001	1
5	SCREW	5335-308	4
6	BOLT	5309-210-000	3
7	FLANGE LOCK NUT	5307-216-000	3

# Cement Bin Augers

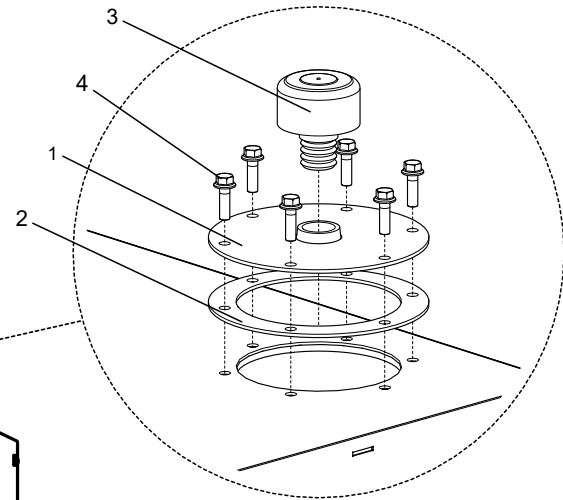
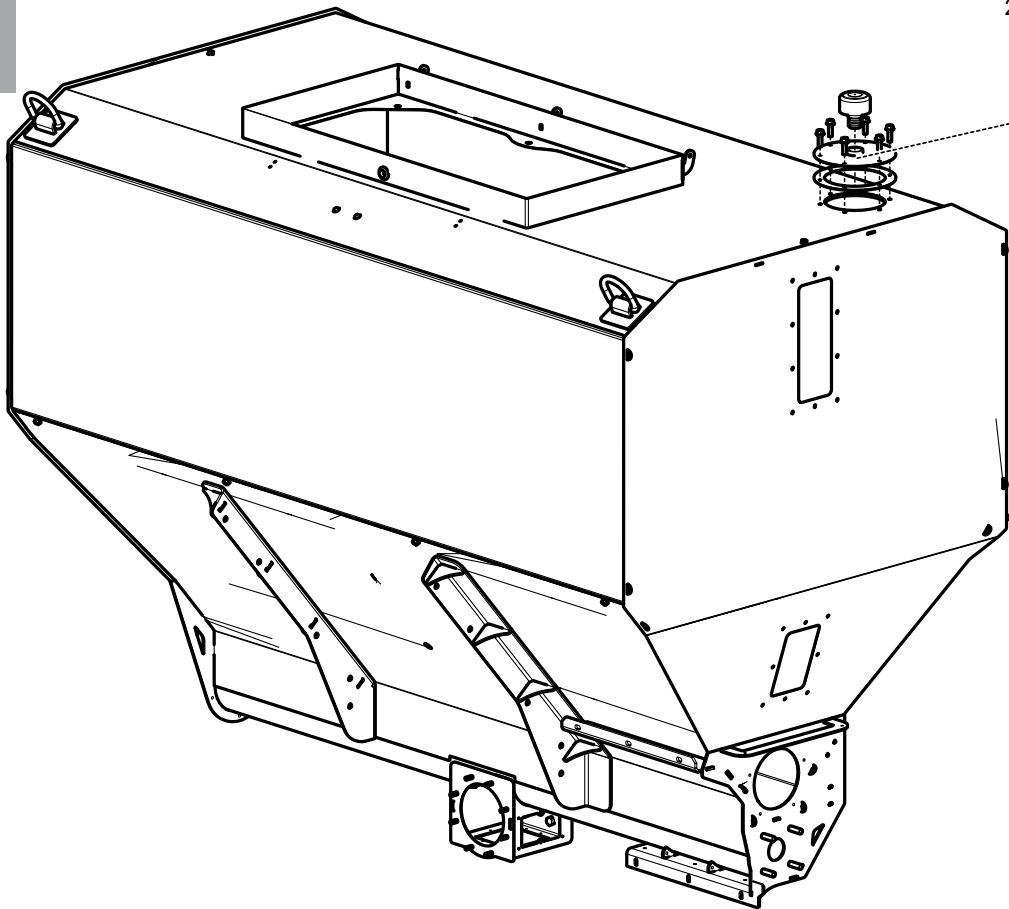
Cement Bin



Item	Description	Part Number	Qty
1	BEARING MOUNT	2603-220-00	1
2	BEARING MOUNT W/ IDLER	2603-232-01	1
3	TOP AUGER	2603-218-00	1
4	METER AUGER	2603-219-00	1
5	BEARING	5151-620-002	3
6	BEARING	5151-120	1
7	GASKET	2542-043-02	3
8	GASKET	2603-071-00	2
9	GASKET	2542-008-02	1
10	FLANGE LOCK NUT	5307-314-000	6
11	FLANGE LOCK NUT	5307-413-000	4
12	BOLT	5309-108-000	10

# Cement Bin Breather Vent

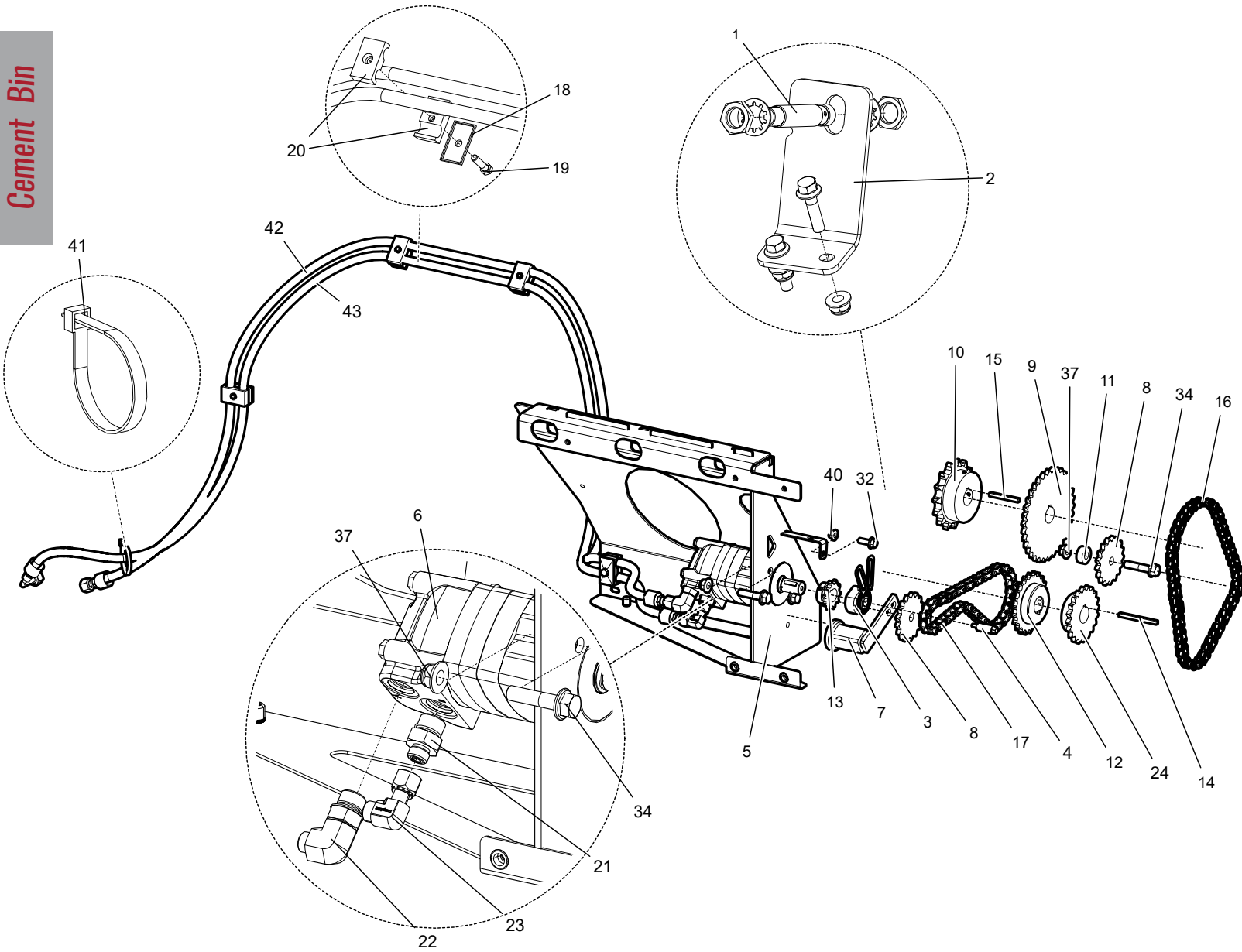
Cement Bin



<i>Item</i>	<i>Description</i>	<i>Part Number</i>	<i>Qty</i>
1	BREATHER VENT BUNG	2542-278-04	1
2	GASKET	2542-046-02	1
3	CAP VENT	5257-016	1
4	BOLT	5309-210-000	6

# Cement Bin Drive: Hydraulic Cement Bin

Cement Bin

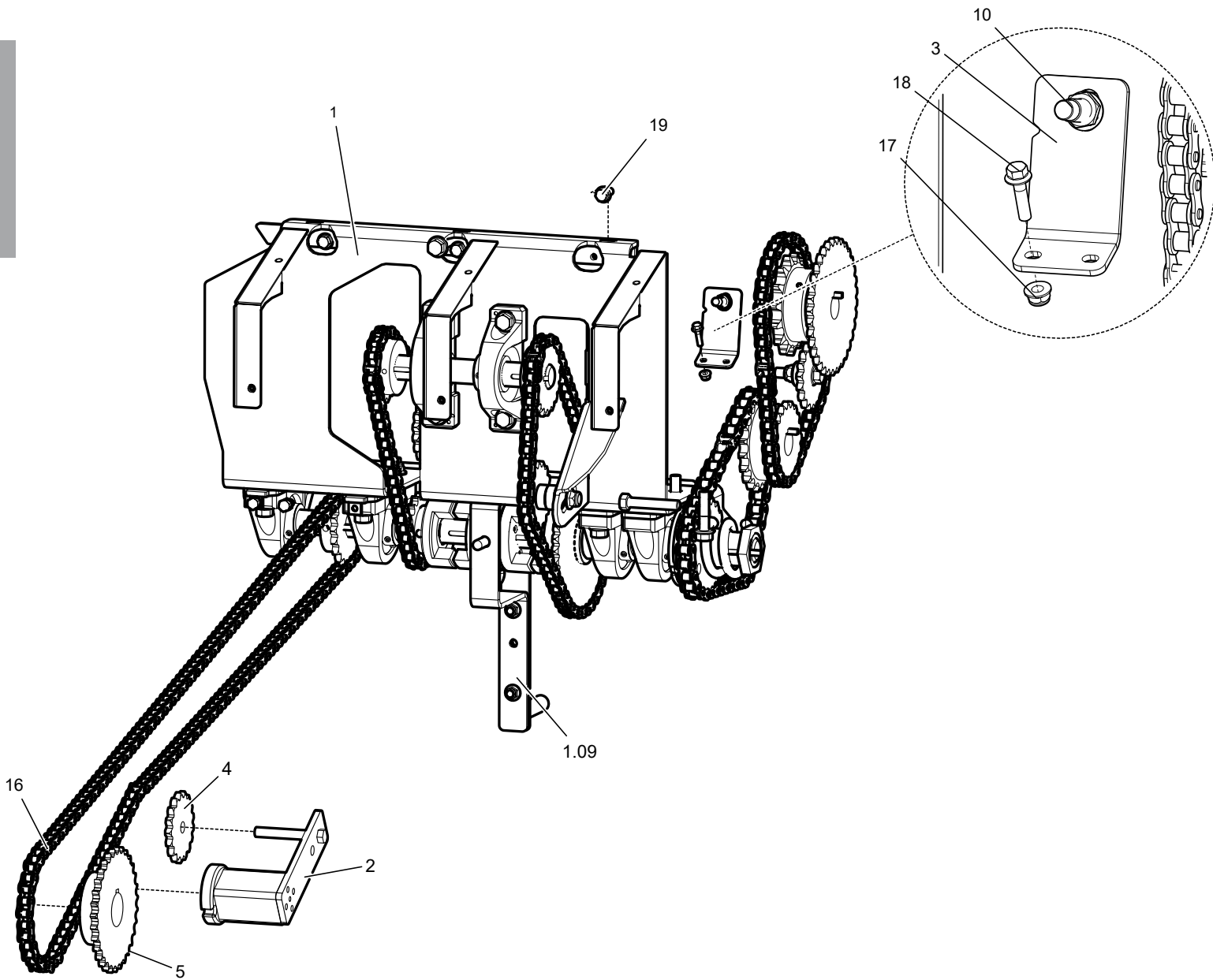


# Cement Bin Drive: Hydraulic Cement Bin

Item	Description	Part Number	Qty
1	SW PROX	5526-110010	1
2	CEMENT BIN PROX SW BRKT	2603-090-06	1
3	ENCODER	2552-343-00	1
4	ENCODER MOUNT	2542-000-11	1
5	HYDRAULIC CBIN DRIVE MNT	2603-209-01	1
6	HYDRAULIC MOTOR	5223-385-000	1
7	TENSIONER	GPCS9333	1
8	IDLER SPROCKET	5174-817A	2
9	SPROCKET	5174-234	1
10	SPROCKET	5176-215	1
11	IDLER SPACER	GPCS100 0215	1
12	SPROCKET	5174-222-000	1
13	SPROCKET	5174-210-000	1
14	KEY STOCK	5375-002-00325	1
15	KEY STOCK	5375-002-00250	1
16	UPPER DRIVE CHAIN	2603-038-09	1
17	LOWER DRIVE CHAIN	2603-046-04	1
18	COVER PLATE	5370-403-002	5
19	CLAMP BOLT	5370-403-003	5
20	CLAMP BODY	5370-403-004	5
21	HYD CONNECTOR, STR	5223-001-001	3
22	HYD CONNECTOR, 90	5223-061-002	1
23	HYD SWIVEL, 90	5223-015-003	1
24	SPROCKET	5174-220B	2
32	BOLT	5309-208-000	5
34	BOLT	5309-416-000	2
37	FLANGE LOCK NUT	5307-413-000	6
40	FLANGE LOCK NUT	5307-216-000	1
41	WIRE TIE	5532-115	1
42	HYD HOSE	2603-548-02	1
43	HYD HOSE	2603-549-02	1

# Cement Bin Drive: Mechanical Cement Bin

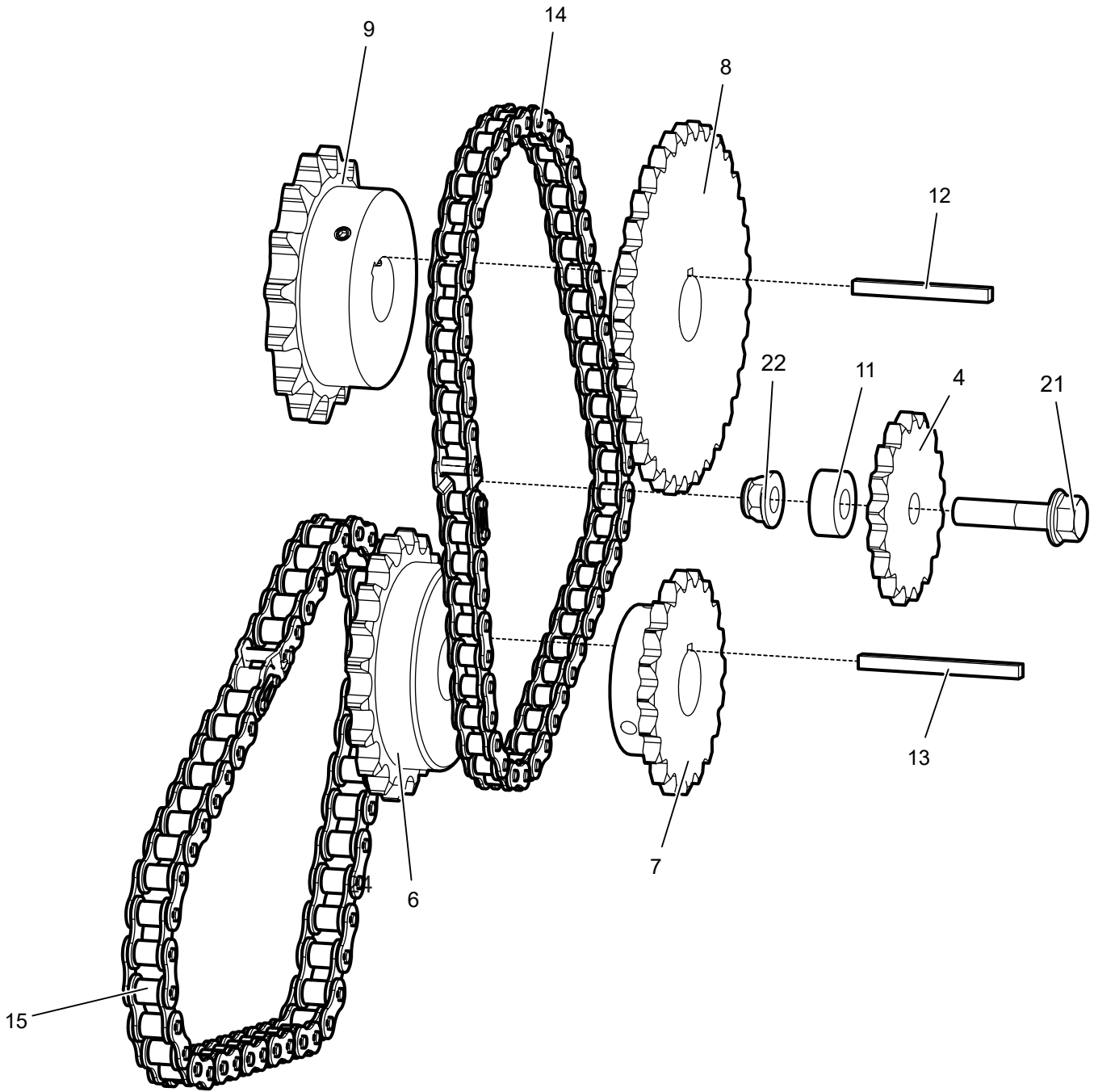
Cement Bin



## Cement Bin Drive: Mechanical Cement Bin

Item	Description	Part Number	Qty
1	SUB-ASSY CBIN DRIVE	2603-404-01	1
2	TENSIONER	5813-003	1
3	CEMENT BIN PROX SW BRKT	2603-090-06	1
4	IDLER SPROCKET	5174-817A	2
5	SPROCKET	5174-231-001	1
10	PROX SW	5526-110010	1
16	CONVEYOR CHAIN	2603-016-03	1
17	FLANGE LOCK NUT	5307-020-000	2
18	BOLT	5309-008-000	2
19	BOLT	5309-208-000	6
1.09	DOG CLUTCH HANDLE	2603-106-00	1

# Cement Bin Drive: Mechanical Cement Bin

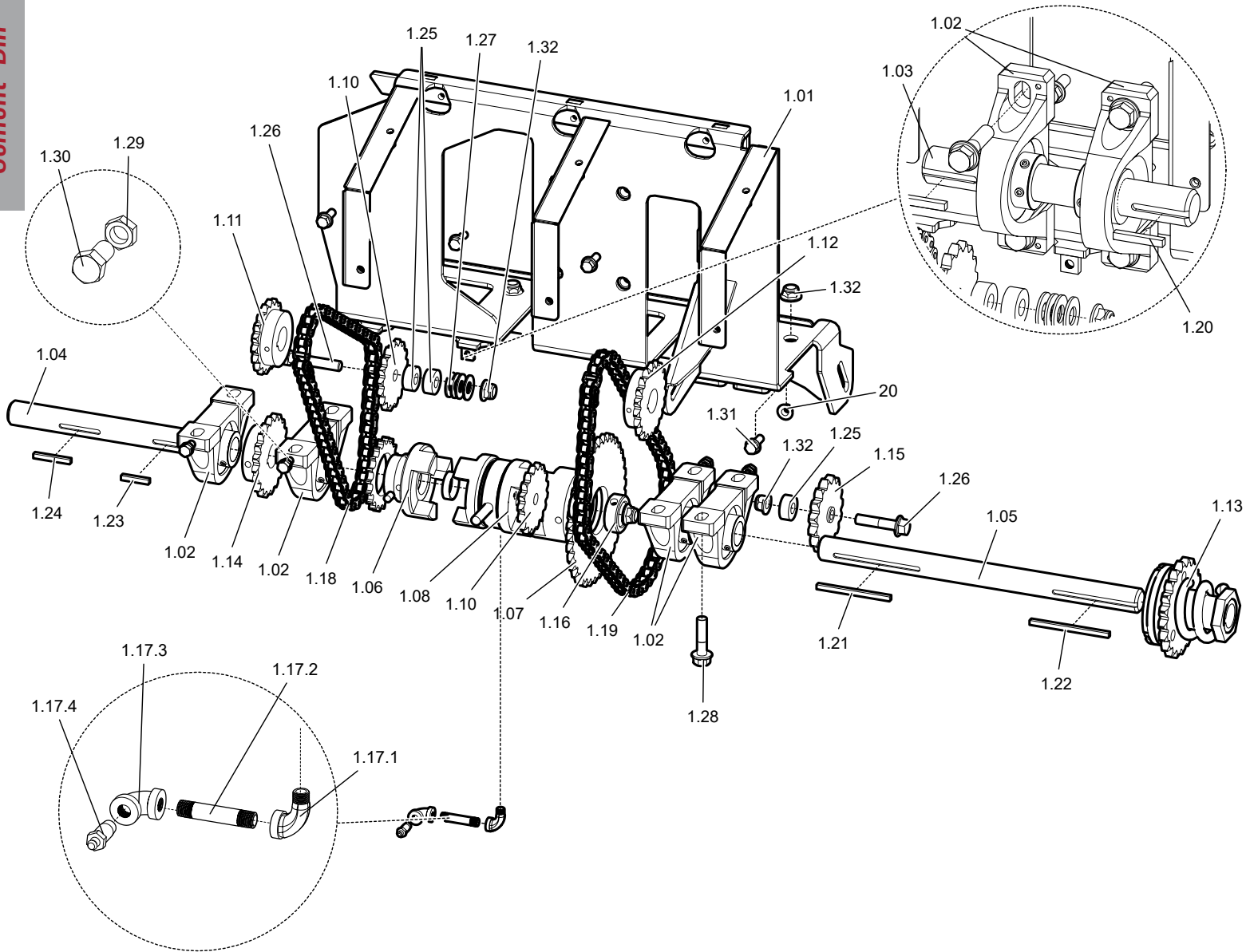


## Cement Bin Drive: Mechanical Cement Bin

Item	Description	Part Number	Qty
4	IDLER SPROCKET	5174-817A	2
6	SPROCKET	5175-220	1
7	SPROCKET	5174-220B	1
8	SPROCKET	5174-234	1
9	SPROCKET	5176-215	1
11	IDLER SPACER	GPCS100 0215	1
12	KEY STOCK	5375-002-00275	1
13	KEY STOCK	5375-002-00325	1
14	UPPER AUGER CHAIN	2603-017-07	1
15	LOWER AUGER CHAIN	2603-017-03	1
21	BOLT	5309-416-000	1
22	FLANGE LOCK NUT	5307-413-000	1

# Cement Bin Drive: Mechanical Cement Bin

Cement Bin

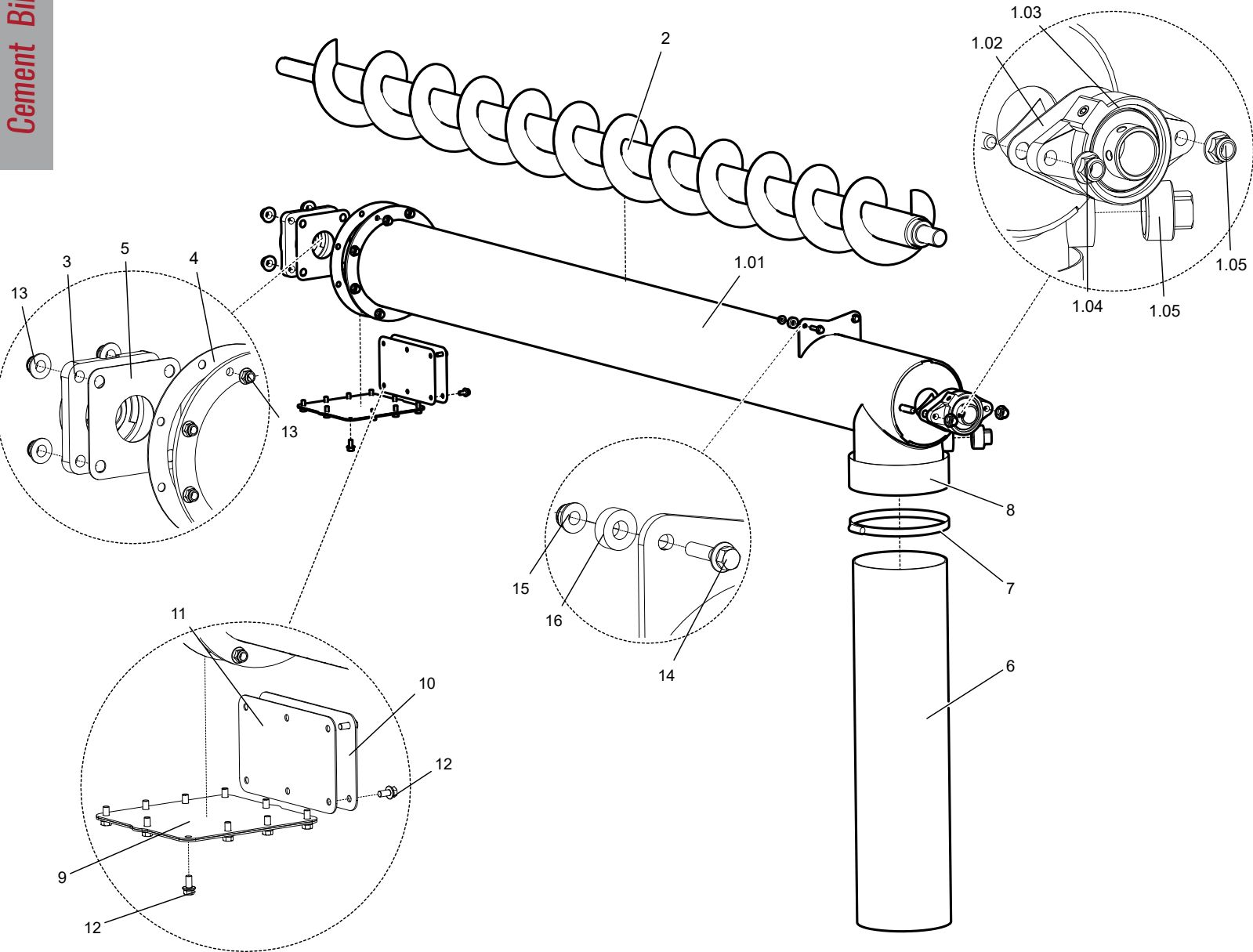


# Cement Bin Drive: Mechanical Cement Bin

Item	Description	Part Number	Qty
1.01	CBIN DRIVE BEARING MOUNT	2603-283-01	1
1.02	BEARING	5152-120-001	6
1.03	SHAFT	1759-006	1
1.04	DRIVE SHAFT, INSIDE	2542-062-00	1
1.05	DRIVE SHAFT, OUTSIDE	2542-033-02	1
1.06	SHIFT COLLAR	1534-201-00	1
1.07	CLUTCH SPROCKET	1534-202-00	1
1.08	DRIVE JAW	1534-203-00	1
1.10	IDLER SPROCKET	5174-817A	2
1.11	SPROCKET	5174-218A	1
1.12	SPROCKET	5174-219	1
1.13	SLIP CLUTCH	2542-410-01	1
1.14	SPROCKET	5174-220B	1
1.15	IDLER SPROCKET	5175-815	1
1.16	SET COLLAR	5810-020	2
1.17	CLUTCH GREASE ASSY	2603-418-00	1
1.17.1	ELBOW 90, GALV	5003-100.10	1
1.17.2	NIPPLE, GALV	5050-040.10	1
1.17.3	ELBOW 90, GALV	5001-100-001	1
1.17.4	GREASE FITTING	5372-009	1
1.18	DRIVE CHAIN	2603-046-03	1
1.19	DRIVE CHAIN	2603-007-03	1
1.20	KEY STOCK	5375-002-00175	2
1.21	KEY STOCK	5375-002-00425	1
1.22	KEY STOCK	5375-002-00431	1
1.23	KEY STOCK	5375-002-00150	1
1.24	KEY STOCK	5375-002-00200	1
1.25	IDLER SPACER	GPCS100 0215	5
1.26	BOLT	5315-422	2
1.27	FLAT WASHER	5310-400	7
1.28	BOLT	5309-416-000	12
1.29	BOLT	5315-206	4
1.30	JAM NUT	5304-216	4
1.31	BOLT	5309-418-000	1
1.32	FLANGE LOCK NUT	5307-413-000	15
20	FLANGE LOCK NUT	5307-216-000	3

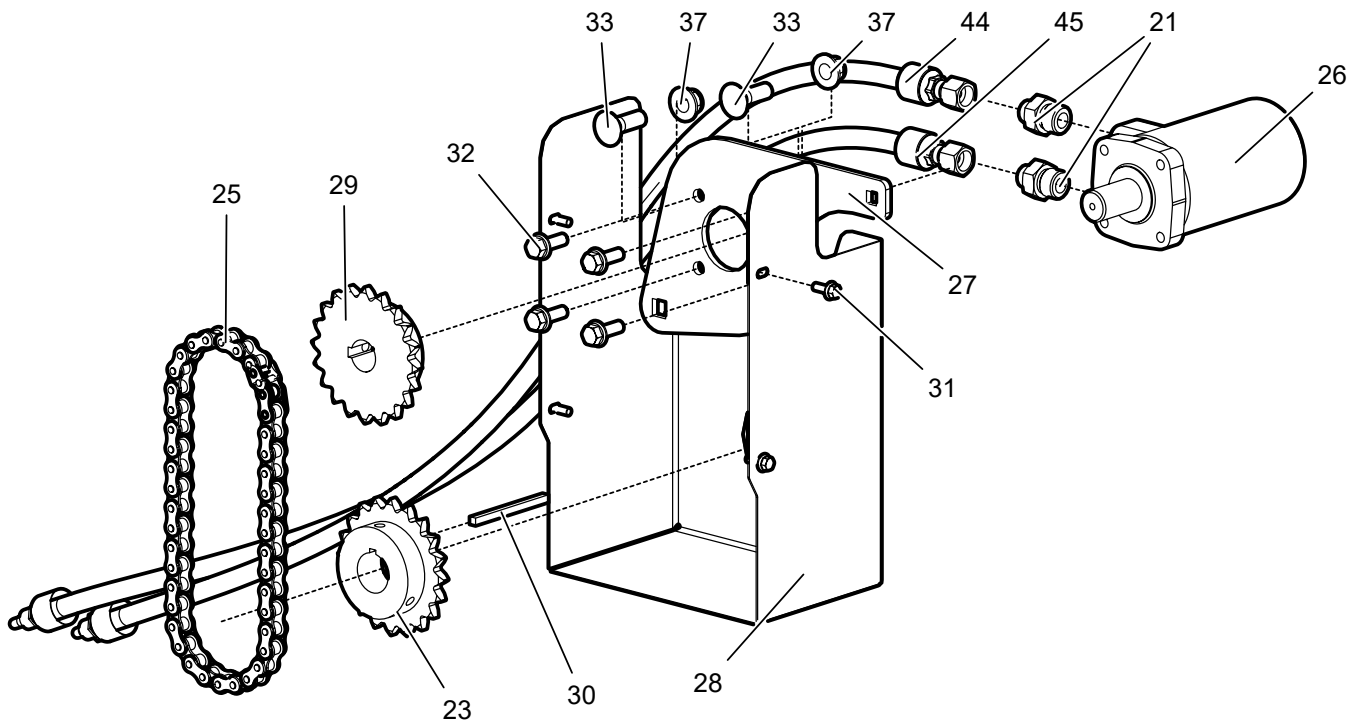
# Transfer Auger Housing

Cement Bin



Item	Description	Part Number	Qty
1	T-AUG HOUSING ASSY	2603-419-00	1
1.01	T-AUG TUBE	2603-257-00	1
1.02	GASKET	2542-043-02	1
1.03	BEARING	5151-620-002	1
1.04	FLANGE LOCK NUT	5307-314-000	2
1.05	PLUG	5005-160	1
2	T-AUG TUBE WELDMENT	2603-258-00	1
3	BEARING	5151-120	1
4	GASKET	2603-047-02	1
5	GASKET	2542-008-02	1
6	SLEEVE	5403-006.63	1
7	CLAMP	5370-100	1
8	SEAL	2076-067-00	1
9	GASKET	2603-049-02	1
10	COVER	2603-048-02	1
11	COVER	2603-050-02	1
12	GASKET	2603-051-02	1
13	BOLT	5309-004-000	16
14	FLANGE LOCK NUT	5307-413-000	4
15	FLANGE LOCK NUT	5307-118-000	8
16	BOLT	5309-008-000	2
17	FLANGE LOCK NUT	5307-020-000	2
18	FLAT WASHER, RUBBER	5310-003	2

# Transfer Auger Drive: Hydraulic Cement Bin

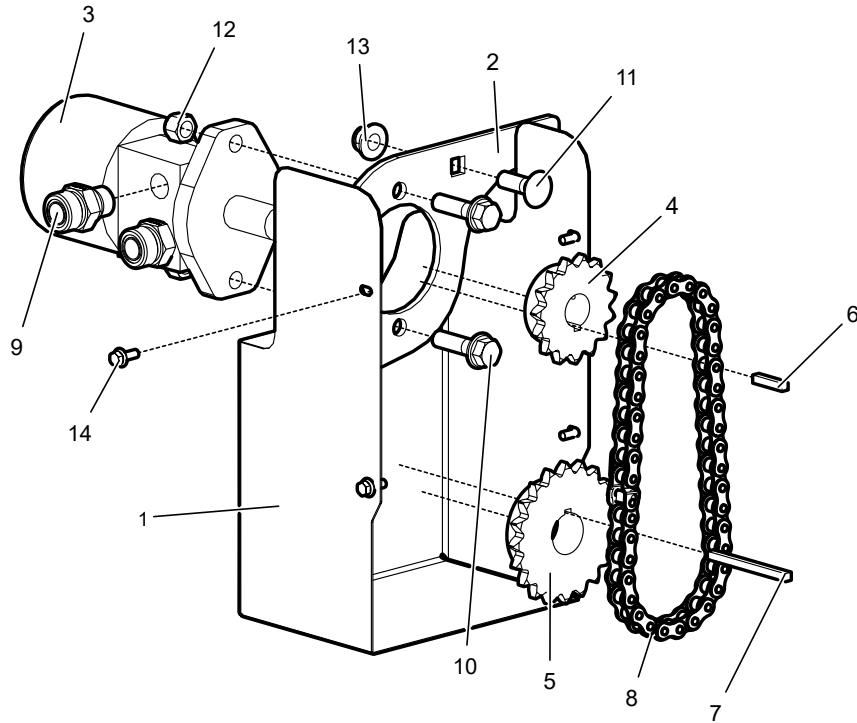


## Transfer Auger Drive: Hydraulic Cement Bin

Item	Description	Part Number	Qty
21	HYD CONNECTOR, STR	5223-001-001	3
24	SPROCKET	5174-220B	2
25	T-AUG CHAIN ASSEMBLY	2603-033-13	1
26	HYDRAULIC MOTOR	5233-358	1
27	MOTOR MOUNT	2603-023-12	1
28	T-AUG DRIVE COVER	2603-292-00	1
29	SPROCKET	5174-220A	1
30	KEY STOCK	5375-002-00331	1
31	BOLT	5309-005-000	4
33	CARRIAGE BOLT	5325-412-000	2
37	FLANGE LOCK NUT	5307-413-000	6
44	HYD HOSE	2603-550-02	1
45	HYD HOSE	2603-551-02	1

# Transfer Auger Drive: Mechanical Cement Bin

Cement Bin

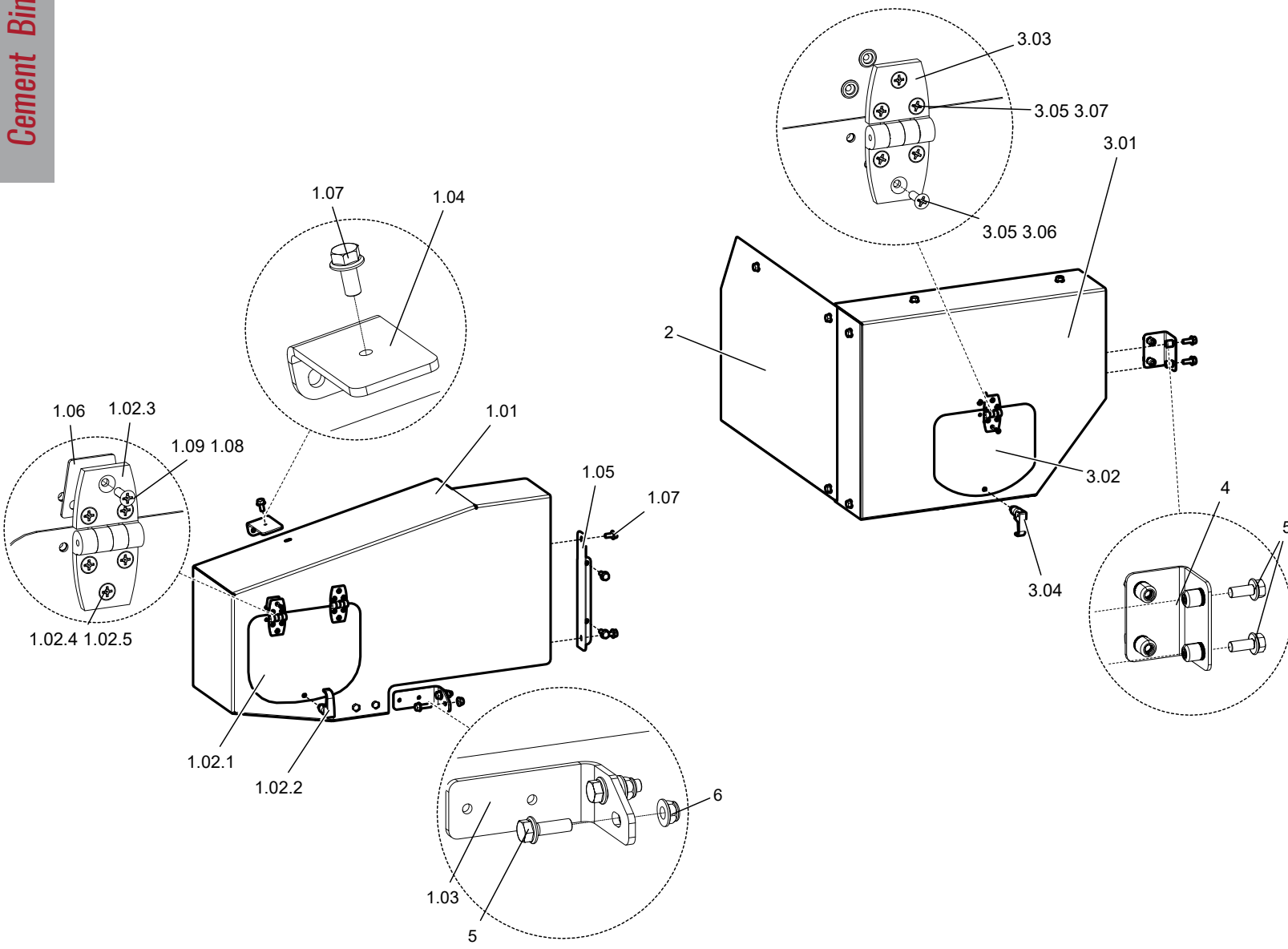


## Transfer Auger Drive: Mechanical Cement Bin

Item	Description	Part Number	Qty
1	T-AUG DRIVE COVER	2603-292-00	1
2	ADJUSTABLE MOTOR MOUNT	2603-093-00	1
3	MOTOR	5233-353	1
4	SPROCKET	5174-215B	1
5	SPROCKET	5174-220B	1
6	KEY STOCK	5375-002-00125	1
7	KEY STOCK	5375-002-00331	1
8	DRIVE CHAIN	2603-063-03	1
9	HYDRAULIC CONNECTOR	5223-005-001	2
10	BOLT	5309-414-000	2
11	CARRIAGE BOLT	5325-412-000	2
12	LOCK NUT	5302-413	2
13	FLANGE LOCK NUT	5307-413-000	2
14	BOLT	5309-005-000	4

# Drive Shields: Hydraulic Cement Bin

Cement Bin

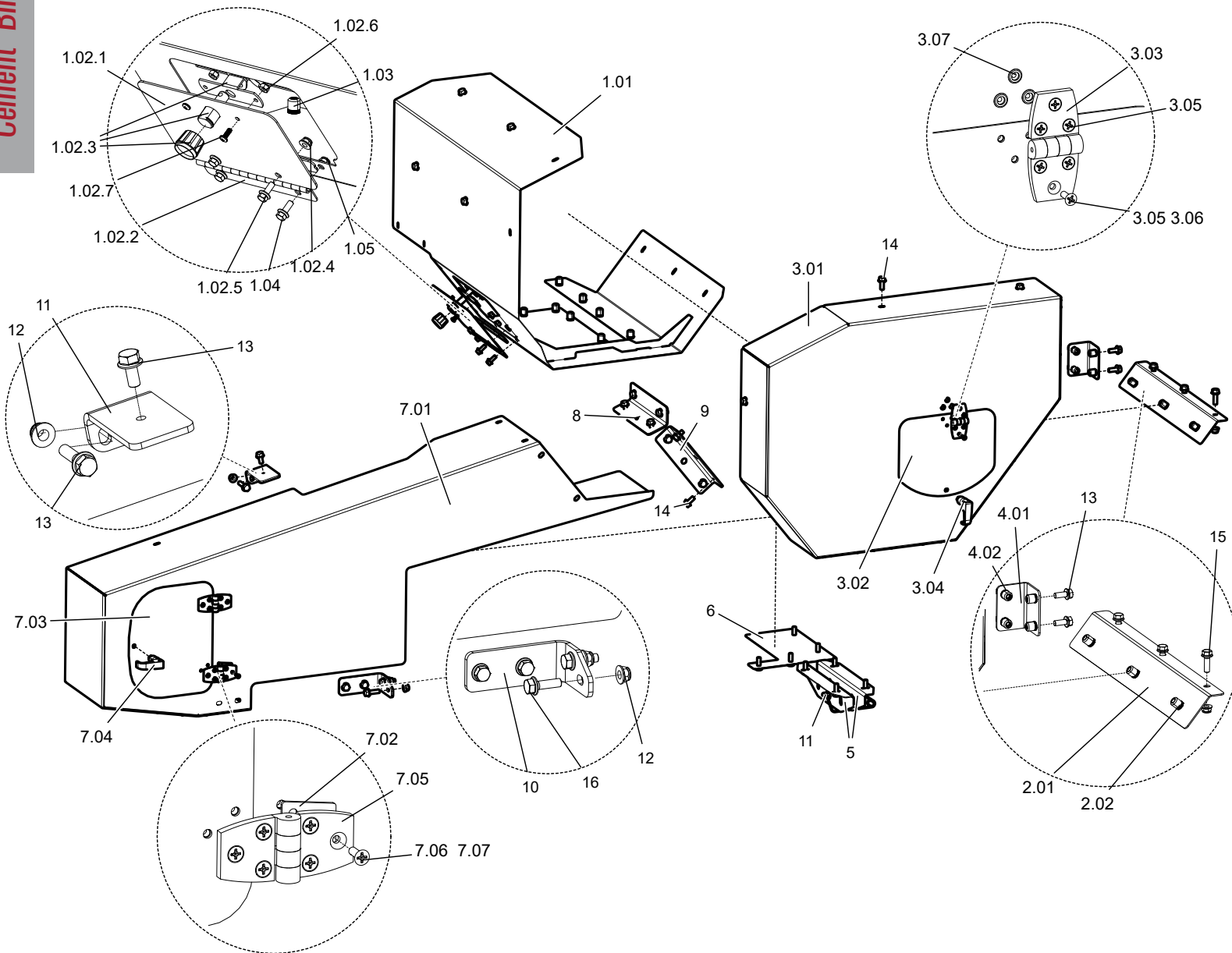


## Drive Shields: Hydraulic Cement Bin

Item	Description	Part Number	Qty
1	CONVEYOR DRIVE COVER ASSY	2603-117-00	
1.01	CONVEYOR DRIVE COVER	2603-246-01	1
1.02	ACCESS COVER ASSY	2603-475-00	1
1.02.1	ACCESS COVER	2603-058-05	1
1.02.2	LATCH	2537-033-000	1
1.02.3	NYLON STRAP HINGE	5141-015-000	2
1.02.4	SCREW	5335-212-002	6
1.02.5	LOCK NUT	5337-101-001	6
1.03	CONVEYOR DRIVE BRACKET	2603-028-03	1
1.04	DRIVE SHIELD MOUNT	2603-034-03	1
1.05	CONVEYOR DRIVE COVER MOUNT	2603-095-13	1
1.06	HINGE SPACER	2542-051-10	2
1.07	BOLT	5309-105-000	5
1.08	LOCK NUT	5337-101-001	6
1.09	SCREW	5335-212-002	6
2	HYD CBIN DRIVE SHIELD COVER	2603-045-04	2
3	HYDRAULIC CBIN DRIVE SHIELD	2603-402-02	1
3.01	CBIN HYD DRIVE SHIELD	2603-234-02	1
3.02	BREAKER BAR SLIP COVER	2603-018-04	1
3.03	NYLON HINGE	5141-015-000	1
3.04	LATCH	5370-033-000	1
3.05	SCREW	5335-212-002	6
3.06	LOCK NUT	5337-101-001	3
3.07	RIVET NUT	5300-020-202	3
4	CBIN DRIVE SHIELD BRACKET ASSY	2603-405-01	1
4.01	CBIN DRIVE SHIELD SIDE BRACKET	2603-004-07	1
4.02	RIVET NUT	5300-020-206	4
5	BOLT	5309-106-000	15
6	BOLT	5309-108-000	2
7	BOLT	5309-110-000	2
8	FLANGE LOCK NUT	5307-020-000	2

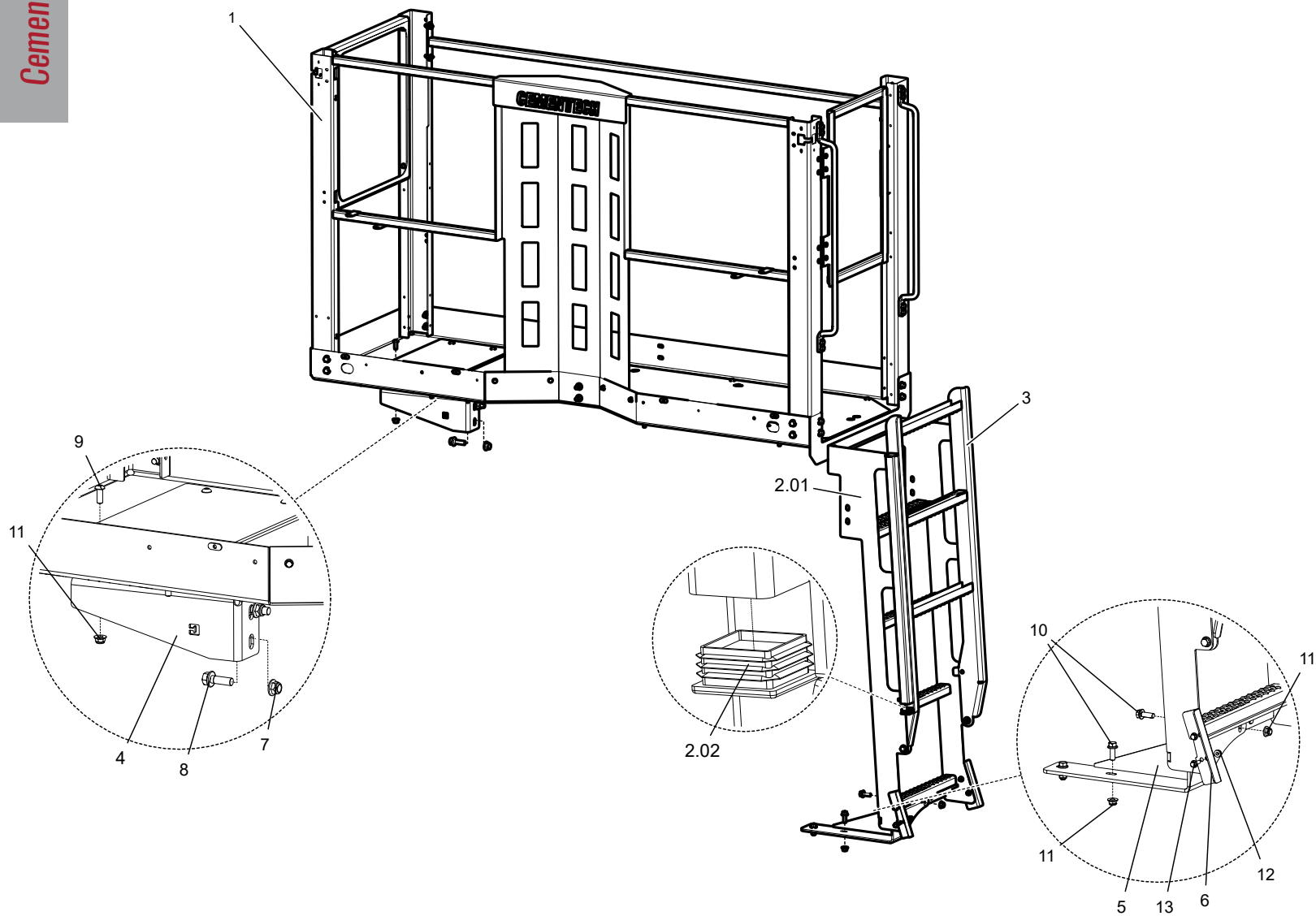
# Drive Shields: Mechanical Cement Bin

Cement Bin



# Drive Shields: Mechanical Cement Bin

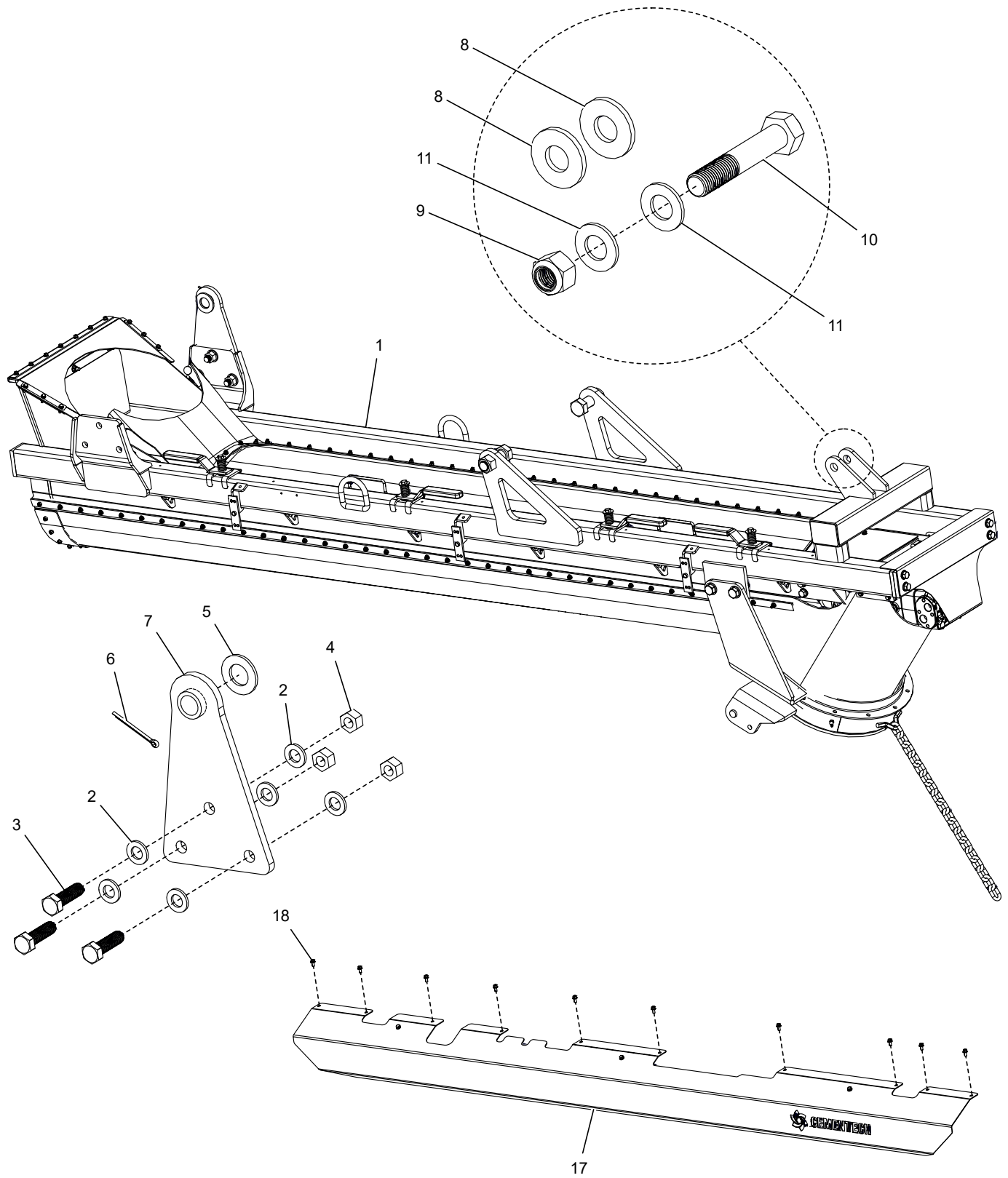
Item	Description	Part Number	Qty
1	CBIN DRIVE WRAP COVER	2603-402-01	1
1.01	CBIN DRIVE SHIELD WRAP	2603-282-01	1
1.02	CBIN DRIVE GREASE DOOR ASSY	2542-433-01	1
1.02.1	CBIN DRIVE GREASE DOOR	2542-210-03	1
1.02.2	SHIELDING HINGE	1565-062-02	1
1.02.3	SPRING LATCH	5370-031-000	1
1.02.4	FLANGE LOCK NUT	5370-020-000	2
1.02.5	BOLT	5309-005-000	2
1.02.6	LOCK NUT	5337-33201	2
1.02.7	SCREW	5335-320	2
1.03	RIVET NUT INSERT	5300-020-206	8
1.04	BOLT	5309-005-000	2
1.05	FLANGE LOCK NUT	5307-020-000	2
2	SHIELD WRAP MOUNT ASSY	2603-403-01	1
2.01	SHIELD WRAP MOUNT	2603-003-07	1
2.02	RIVE NUT	5300-020-206	3
3	CBIN DRIVE SHIELD ASSY	2603-401-01	1
3.01	CBIN DRIVE SHIELD	2603-281-01	1
3.02	BREAKER BAR SLIP COVER	2603-018-04	1
3.03	NYLON HINGE	5141-015-000	1
3.04	LATCH	5370-033-000	1
3.05	SCREW	5335-212-002	6
3.06	LOCK NUT	5337-101-001	3
3.07	RIVET NUT	5300-020-202	3
4	CBIN DRIVE SHIELD BRACKET ASSY	2603-405-01	1
4.01	CBIN DRIVE SHIELD BRACKET	2603-004-07	1
4.02	RIVET NUT	5300-020-206	4
5	CLUTCH HANDLE PIN MOUNT	2603-009-07	2
6	WRAP BOTTOM COVER	2603-008-07	1
7	CBIN DRIVE SHIELD EXT ASSY	2603-441-01	1
7.01	CBIN DRIVE SHIELD EXT	2603-218-02	1
7.02	HINGE SPACER	2542-051-10	2
7.03	DRIVE SHIELD ACCESS COVER	2603-058-05	1
7.04	LATCH	5370-033-000	1
7.05	NYLON HINGE	5141-015-000	2
7.06	SCREW	5335-212-002	12
7.07	LOCK NUT	5337-101-001	12
8	MOUNT, CBIN DRIVE COVER	2603-016-07	1
9	MOUNT, CBIN DRIVE COVER, SIDE	2603-011-07	1
10	BRACKET, CONVEYOR DRIVE	2603-010-07	1
11	MOUNT, CBIN DRIVE SHIELD	2603-012-07	1
12	SNAP PIN	5377-660-000	1
13	FLANGE LOCK NUT	5307-118-000	7
14	BOLT	5309-105-000	11
15	BOLT	5309-106-000	22
16	BOLT	5309-110-000	2
17	BOLT	5309-108-000	5



Item	Description	Part Number	Qty
1	WORK PLATFORM ASSY	2603-149-00	1
2	PLATFORM LADDER ASSY	2603-486-02	1
2.01	PLATFORM LADDER, UPPER	2603-287-03	1
2.02	PLASTIC CAP	5518-302-000	4
3	PLATFORM LADDER, LOWER	2603-288-03	1
4	PLATFORM BRACE	2603-240-02	1
5	LADDER FRAME MOUNT	2603-290-03	1
6	FLIP UP LADDER STOP	2603-028-05	2
7	FLANGE LOCK NUT	5307-413-000	2
8	BOLT	5309-412-000	2
9	BOLT	5326-208-000	7
10	BOLT	5309-208-000	8
11	FLANGE LOCK NUT	5307-216-000	9
12	FLANGE LOCK NUT	5307-020-000	4
13	BOLT	5309-006-000	4
14	FLAT WASHER	5310-201-000	4

# Mixer Install: 360 Swivel Chute

Mixer



Item	Description	Part Number	Qty
1	MIXER ASSY	2581-110-00	1
2	WASHER	5310-602-000	12
3	BOLT	5315-720B	6
4	NUT	5302-712-000	6
5	WASHER	5310-900-001	2
6	COTTER PIN	5377-114	2
7	MIXER EAR	2542-255-01	2
8	WASHER	1521-055	2
9	LOCK NUT	5302-808	1
10	BOLT	5315-844-002	1
11	WASHER	5310-800-002	2
12	CLAMP	5370-425.01	3
13	COVER PLATE	5370-425.05	3
14	BOLT	5370-425.07	3
15	HYD TUBE	5221-016-000	2
16	CONNECTOR	5223-053-000	2
17	SHIELD, W/SAFETY SWITCH	2603-020-12	1
18	FLANGE BOLT	5309-004-000	13
19	LIGHT	2552-332-00	2
20	WIRE TIE	5532-108	8
21	WIRELOOM, ENCODER	2552-542-00	1
22	WIRELOOM, LIGHTS	2552-532-17	1
23	HOSE, MIXER VLV B -> MXR FRAME TUBE TOP	2542-590-00	1
24	HOSE, MIXER VLV A -> MXR FRAME TUBE BTM	2542-591-00	1
25	HOSE, TOP TUBE -> PORT B	2542-547-00	1
26	HOSE, BTM TUBE -> PORT A	2542-548-00	1
27	QUICK DISCONNECT, FEMALE	5226-016-000	1
28	QUICK DISCONNECT, MALE	5226-01601	1
29	BRACKET	2581-067-02	1

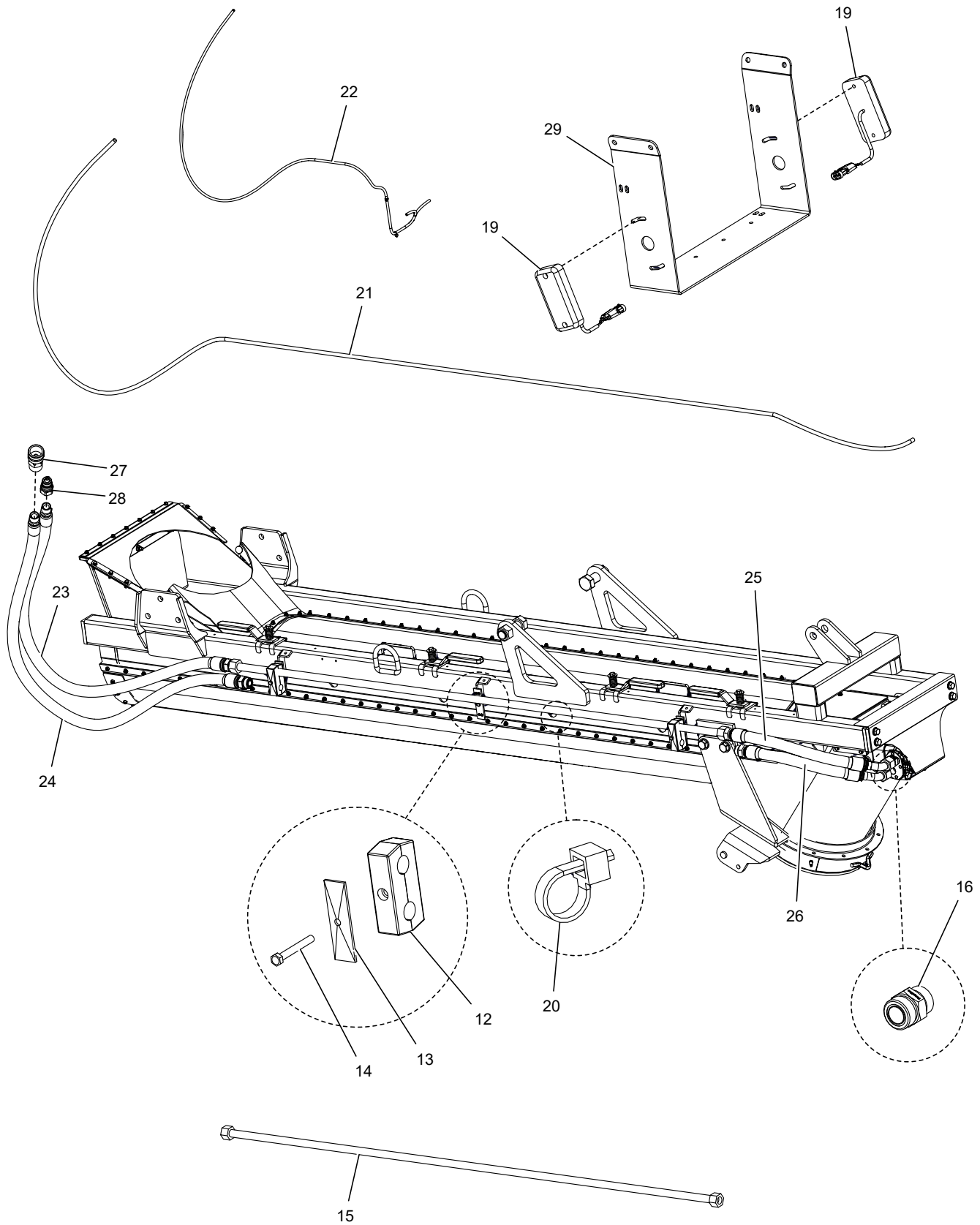
Install Kit			
IK1	MIXER, 360 SWIVEL CHUTE	2581-309-01	1
IK2	MIXER HEAT SHIELD, W/SAFETY SWITCH <sup>1</sup>	2603-378-00	1

<sup>1</sup>Required along with Mixer Install Kit.

Continued on next page

# Mixer Install: 360 Swivel Chute

Mixer



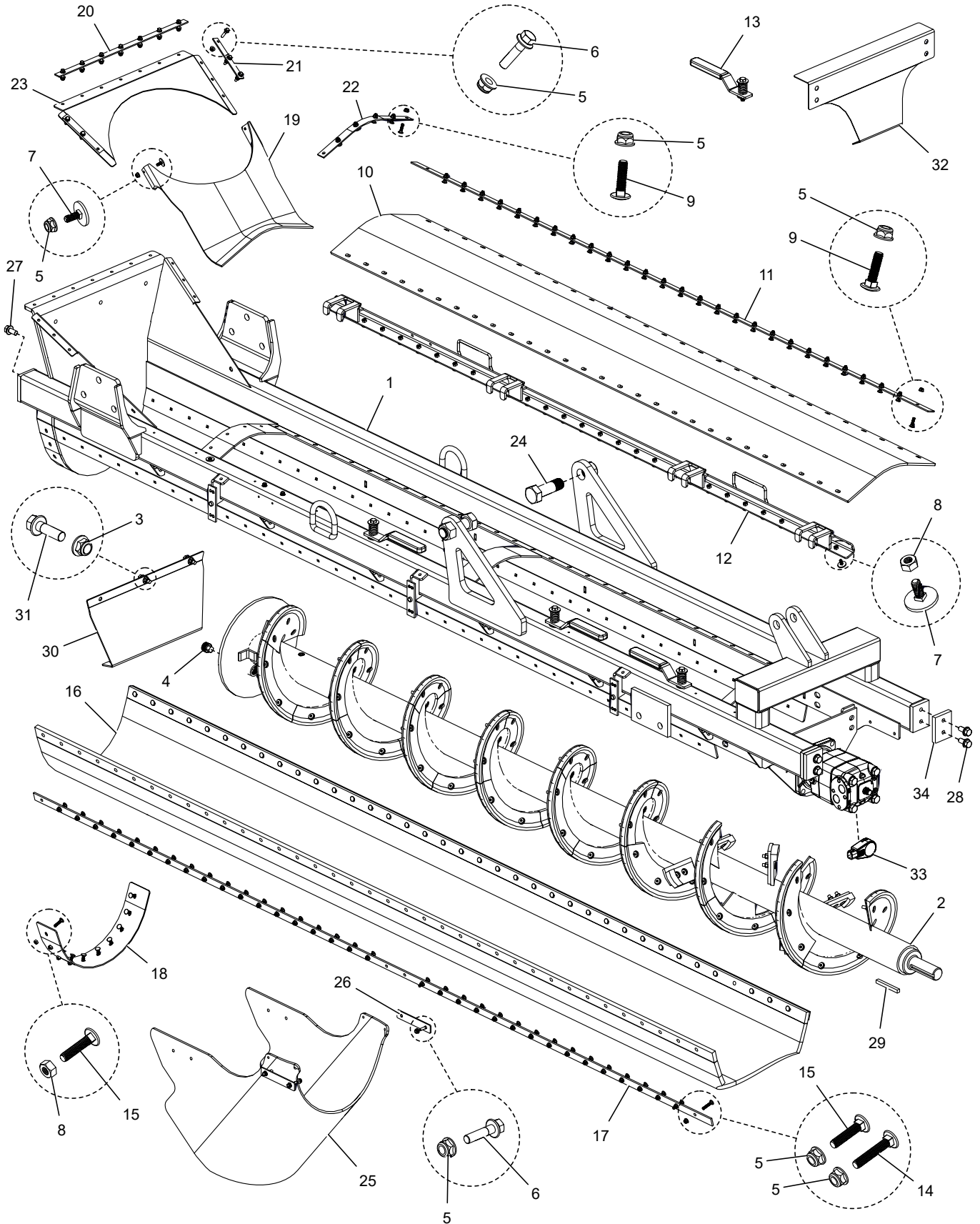
Item	Description	Part Number	Qty
1	MIXER ASSY	2581-110-00	1
2	WASHER	5310-602-000	12
3	BOLT	5315-720B	6
4	NUT	5302-712-000	6
5	WASHER	5310-900-001	2
6	COTTER PIN	5377-114	2
7	MIXER EAR	2542-255-01	2
8	WASHER	1521-055	2
9	LOCK NUT	5302-808	1
10	BOLT	5315-844-002	1
11	WASHER	5310-800-002	2
12	CLAMP	5370-425.01	3
13	COVER PLATE	5370-425.05	3
14	BOLT	5370-425.07	3
15	HYD TUBE	5221-016-000	2
16	CONNECTOR	5223-053-000	2
17	SHIELD, W/SAFETY SWITCH	2603-020-12	1
18	FLANGE BOLT	5309-004-000	13
19	LIGHT	2552-332-00	2
20	WIRE TIE	5532-108	8
21	WIRELOOM, ENCODER	2552-542-00	1
22	WIRELOOM, LIGHTS	2552-532-17	1
23	HOSE, MIXER VLV B -> MXR FRAME TUBE TOP	2542-590-00	1
24	HOSE, MIXER VLV A -> MXR FRAME TUBE BTM	2542-591-00	1
25	HOSE, TOP TUBE -> PORT B	2542-547-00	1
26	HOSE, BTM TUBE -> PORT A	2542-548-00	1
27	QUICK DISCONNECT, FEMALE	5226-016-000	1
28	QUICK DISCONNECT, MALE	5226-01601	1
29	BRACKET	2581-067-02	1

Install Kit			
IK1	MIXER, 360 SWIVEL CHUTE	2581-309-01	1
IK2	MIXER HEAT SHIELD, W/SAFETY SWITCH <sup>1</sup>	2603-378-00	1

<sup>1</sup>Required along with Mixer Install Kit.

# Mixer Assembly: 360 Swivel Chute

Mixer



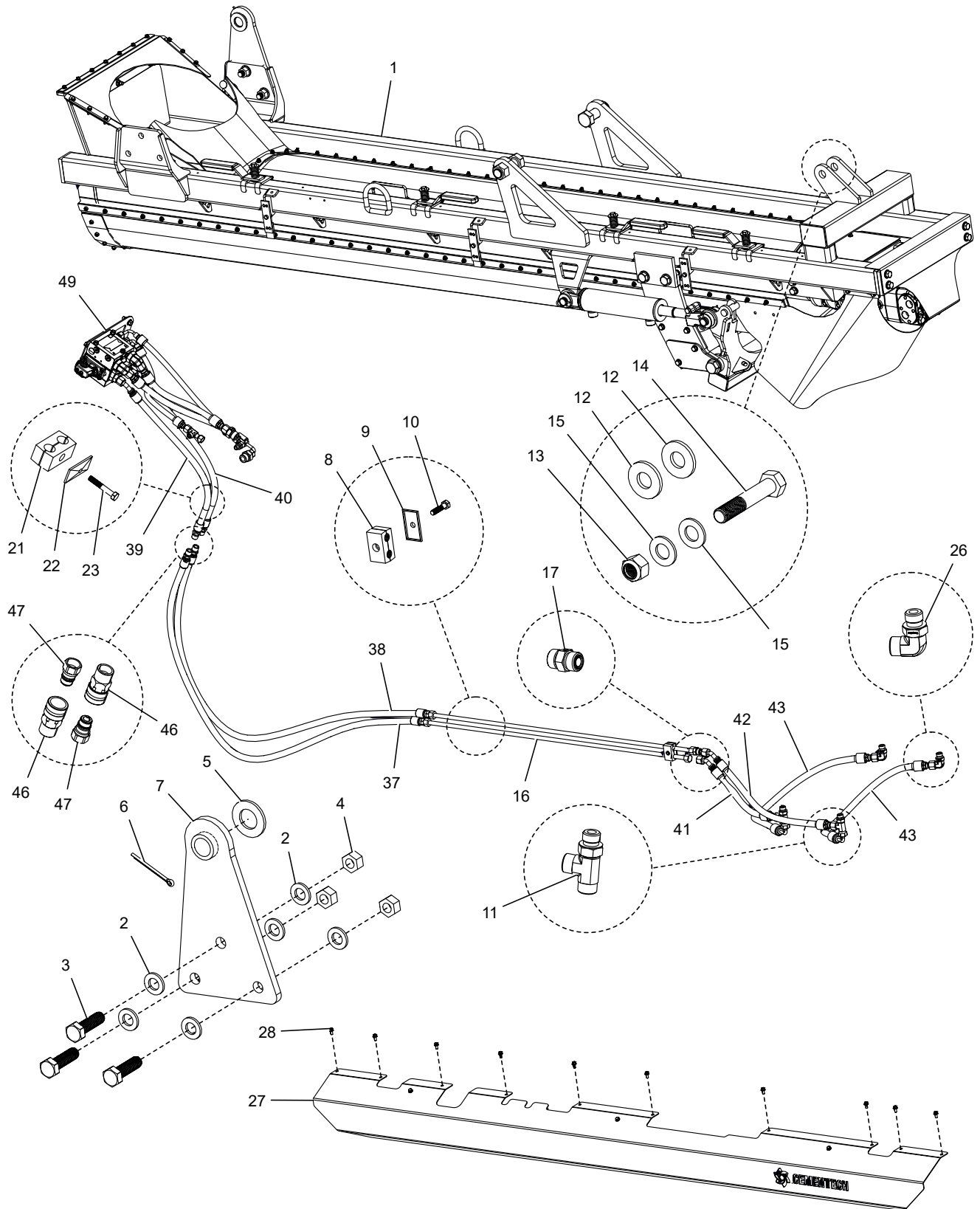
Item	Description	Part Number	Qty
1	FRAME, 360	2542-213-03	1
2	MIXER AUGER	1604-260-01	1
3	FLANGE LOCK NUT	5307-216-000	3
4	PLUG	5005-140	1
5	FLANGE LOCK NUT	5307-020-000	125
6	FLANGE BOLT	5309-008-000	17
7	ELEVATOR BOLT	5350-006	30
8	NUT	5300-020	40
9	CARRIAGE BOLT	5325-008	34
10	TOP BOOT	2542-083-03	1
11	RETAINER	2542-082-03	1
12	LATCH RAIL	2542-207-01	1
13	LATCH	2542-406-00	4
14	CARRIAGE BOLT, LONG	5325-012	8
15	CARRIAGE BOLT, SHORT	5325-010	76
16	BOTTOM BOOT	1752-063-00	1
17	RETAINER	1731-006-00	2
18	RETAINER	2542-019-04	1
19	HOPPER GUARD, BTM	1752-015-00	1
20	RETAINER	1548-005	1
21	RETAINER	1548-006	2
22	RETAINER	1752-020-00	1
23	HOPPER GUARD, TOP	2542-089-03	1
24	BOLT	2050-014-04	2
25	BOOT, 360 SWIVEL	2542-050-05	1
26	RETAINER	1731-045-00	2
27	FLANGE BOLT	5309-408-000	4
28	FLANGE BOLT	5309-410-000	4
29	KEYSTOCK	5375-004-00350	1
30	DEFLECTOR	1752-008-02	1
31	FLANGE BOLT	5309-210-000	3
32	SHIELD	2542-033-08	1
33	ENCODER	5508-202-000	1
34	SPACER	1752-004	2

<sup>1</sup> see Mixer Auger, Idler End, and Drive End on page 70 for components

REPLACEMENT KITS			
Item	Description	Part Number	QTY
RK1	TOP BOOT REPLACEMENT KIT	2542-902-00	1
RK2	BOTTOM BOOT REPLACEMENT KIT	2542-903-00	1
RK3	DISCHARGE BOOT REPLACEMENT KIT	2542-911-00	1
RK4	MOTOR SEAL KIT	5233-700-001	1

# Mixer Install: Dual Cylinder Chute Lift

Mixer



# Mixer Install: Dual Cylinder Chute Lift

Item	Description	Part Number	Qty
1	MIXER ASSY	2581-111-00	1
2	WASHER	5310-602-000	12
3	BOLT	5315-720B	6
4	NUT	5302-712-000	6
5	WASHER	5310-900-001	2
6	COTTER PIN	5377-114	2
7	MIXER EAR	2542-255-01	2
8	CLAMP	5370-403-001	2
9	PLATE	5370-403-002	2
10	BOLT	5370-403-003	2
11	TEE	5223-066-000	2
12	WASHER	1521-055	2
13	LOCK NUT	5302-808	1
14	BOLT	5315-844-002	1
15	WASHER	5310-800-002	2
16	HYD TUBE	5221-024-000	2
17	UNION	5223-099-001	2
18	CLAMP	5370-425.01	3
19	PLATE	5370-425.05	3
20	BOLT	5370-425.07	3
21	CLAMP	5370-407-001	1
22	PLATE	5370-419.05	1
	BOLT	5370-428.07	1
24	HYD TUBE	5221-016-000	2
25	CONNECTOR	5223-053-000	2
26	ELBOW	5223-020-001	2
27	SHIELD, W/SAFETY SWITCH	2581-032-02	1
28	FLANGE BOLT	5309-004-000	13
29	LIGHT	2552-332-00	2
30	WIRE TIE	5532-108	8
31	WIRELOOM, ENCODER	2552-542-00	1
32	WIRELOOM, LIGHTS	2552-532-17	1
	HOSE, MIXER VLV B -> TOP TUBE	2542-590-00	1
34	HOSE, MIXER VLV A -> BTM TUBE	2542-591-00	1
35	HOSE, TOP TUBE -> PORT B	2542-547-00	1

Item	Description	Part Number	Qty
36	HOSE, BTM TUBE -> PORT A	2542-548-00	1
37	HOSE, F DISCONNECT -> BTM TUBE	2542-592-00	1
38	HOSE, M DISCONNECT -> TOP TUBE	2542-593-00	1
39	HOSE, VALVE A -> M DISCONNECT	2542-594-00	1
40	HOSE, VALVE B -> F DISCONNECT	2542-595-00	1
41	HOSE, BTM TUBE -> CYL EXTEND	2542-551-00	1
42	HOSE, TOP TUBE -> CYL RETRACT	2542-552-00	1
43	HOSE, LH SIDE CYL -> RH SIDE CYL	2542-553-00	2
44	QUICK DISCONNECT, FEMALE	5226-016-000	1
45	QUICK DISCONNECT, MALE	5226-01601	1
46	QUICK DISCONNECT, FEMALE	5226-008	2
47	QUICK DISCONNECT, MALE	5226-00801	2
48	BRACKET	2581-067-02	1

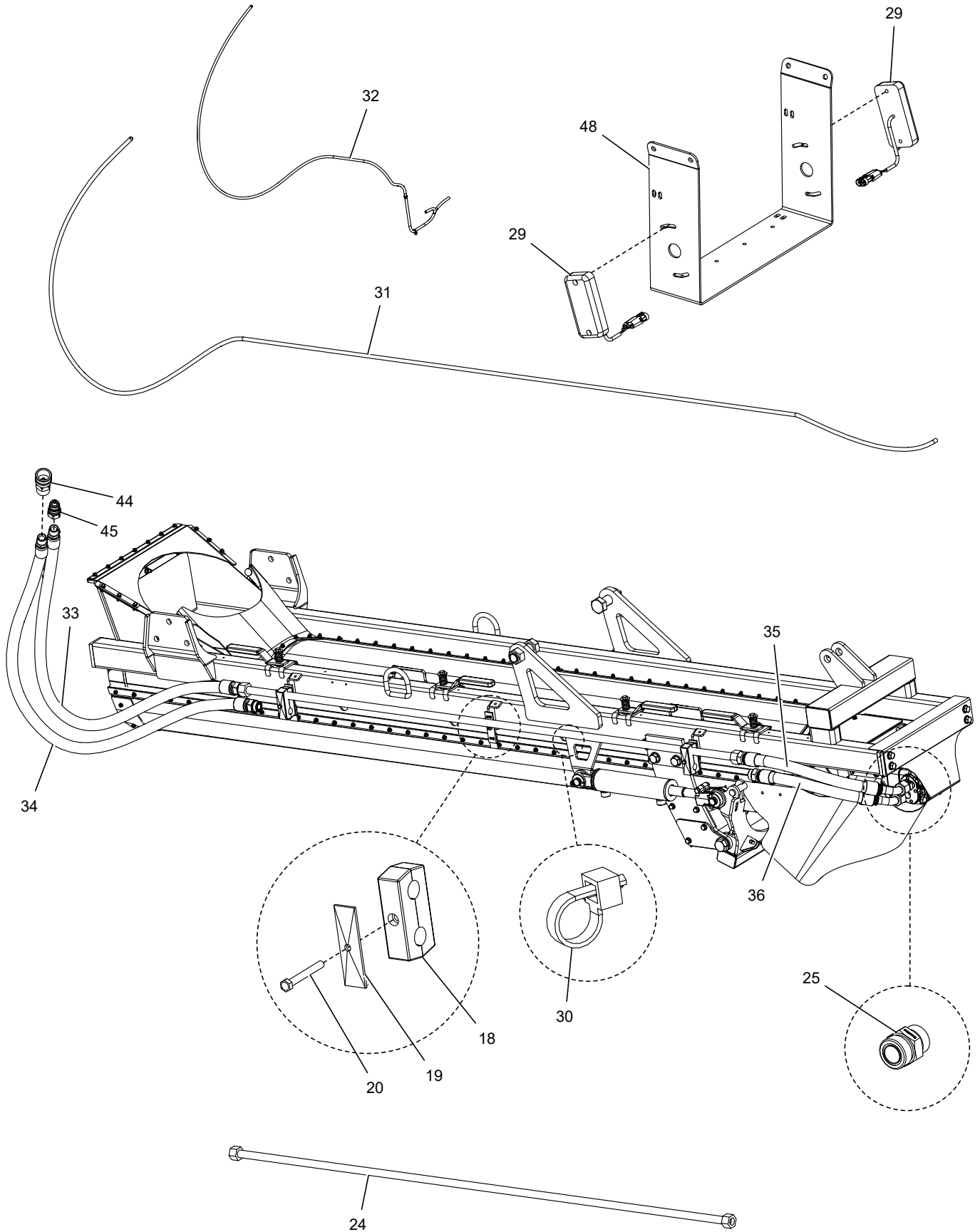
Install Kit			
IK1	MIXER, DUAL RAM CHUTE	2542-305-03	1
IK2	MIXER HEAT SHIELD, W/SAFETY SWITCH <sup>1</sup>	2542-342-05	1

<sup>1</sup>Required along with Mixer Install Kit.

Mixer

Continued on next page

# Mixer Install: Dual Cylinder Chute Lift



# Mixer Install: Dual Cylinder Chute Lift

Item	Description	Part Number	Qty
1	MIXER ASSY	2581-111-00	1
2	WASHER	5310-602-000	12
3	BOLT	5315-720B	6
4	NUT	5302-712-000	6
5	WASHER	5310-900-001	2
6	COTTER PIN	5377-114	2
7	MIXER EAR	2542-255-01	2
8	CLAMP	5370-403-001	2
9	PLATE	5370-403-002	2
10	BOLT	5370-403-003	2
11	TEE	5223-066-000	2
12	WASHER	1521-055	2
13	LOCK NUT	5302-808	1
14	BOLT	5315-844-002	1
15	WASHER	5310-800-002	2
16	HYD TUBE	5221-024-000	2
17	UNION	5223-099-001	2
18	CLAMP	5370-425.01	3
19	PLATE	5370-425.05	3
20	BOLT	5370-425.07	3
21	CLAMP	5370-407-001	1
22	PLATE	5370-419.05	1
	BOLT	5370-428.07	1
24	HYD TUBE	5221-016-000	2
25	CONNECTOR	5223-053-000	2
26	ELBOW	5223-020-001	2
27	SHIELD, W/SAFETY SWITCH	2581-032-02	1
28	FLANGE BOLT	5309-004-000	13
29	LIGHT	2552-332-00	2
30	WIRE TIE	5532-108	8
31	WIRELOOM, ENCODER	2552-542-00	1
32	WIRELOOM, LIGHTS	2552-532-17	1
	HOSE, MIXER VLV B -> TOP TUBE	2542-590-00	1
34	HOSE, MIXER VLV A -> BTM TUBE	2542-591-00	1
35	HOSE, TOP TUBE -> PORT B	2542-547-00	1

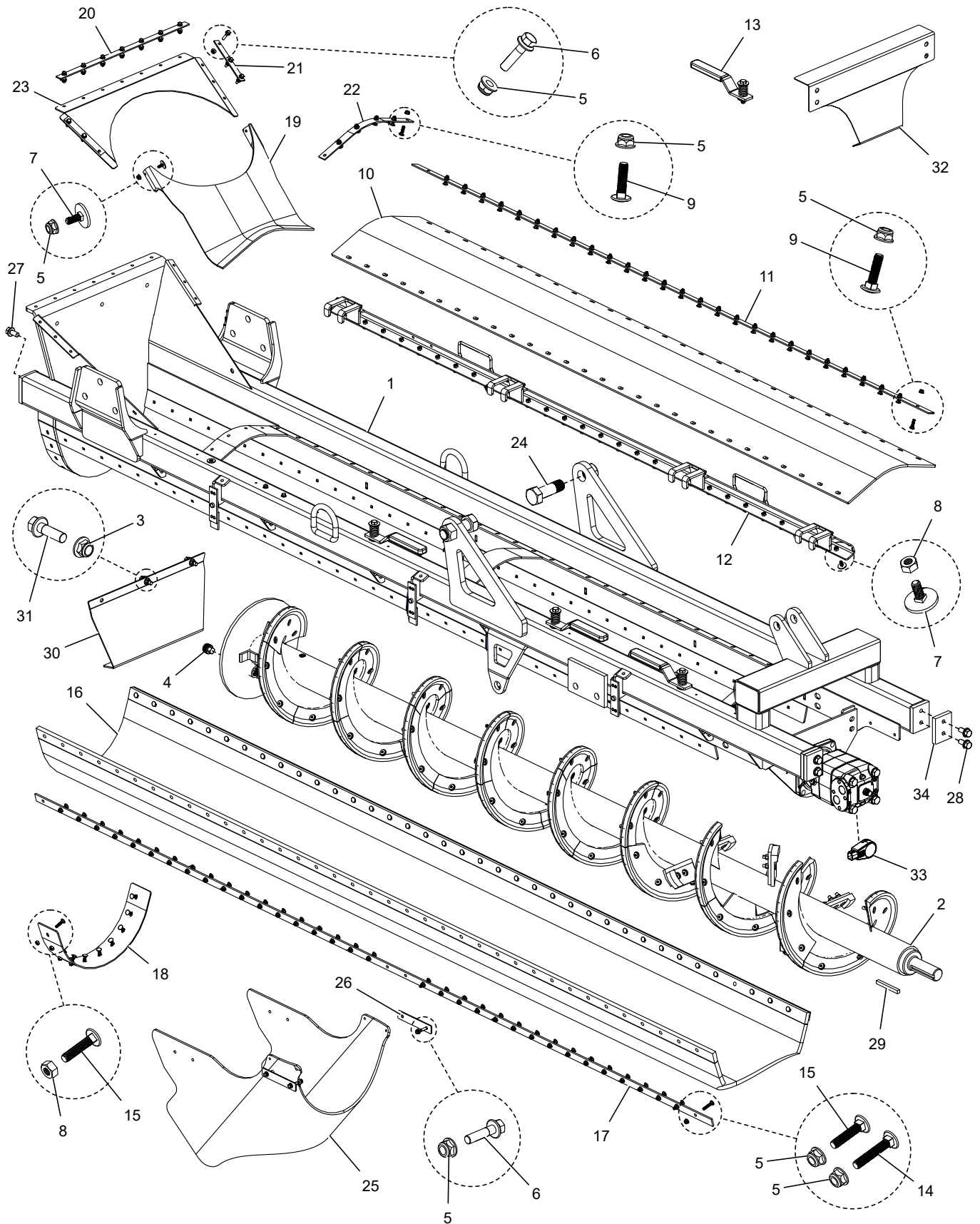
Item	Description	Part Number	Qty
36	HOSE, BTM TUBE -> PORT A	2542-548-00	1
37	HOSE, F DISCONNECT -> BTM TUBE	2542-592-00	1
38	HOSE, M DISCONNECT -> TOP TUBE	2542-593-00	1
39	HOSE, VALVE A -> M DISCONNECT	2542-594-00	1
40	HOSE, VALVE B -> F DISCONNECT	2542-595-00	1
41	HOSE, BTM TUBE -> CYL EXTEND	2542-551-00	1
42	HOSE, TOP TUBE -> CYL RETRACT	2542-552-00	1
43	HOSE, LH SIDE CYL -> RH SIDE CYL	2542-553-00	2
44	QUICK DISCONNECT, FEMALE	5226-016-000	1
45	QUICK DISCONNECT, MALE	5226-01601	1
46	QUICK DISCONNECT, FEMALE	5226-008	2
47	QUICK DISCONNECT, MALE	5226-00801	2
48	BRACKET	2581-067-02	1

Install Kit			
IK1	MIXER, DUAL RAM CHUTE	2542-305-03	1
IK2	MIXER HEAT SHIELD, W/SAFETY SWITCH <sup>1</sup>	2542-342-05	1

<sup>1</sup>Required along with Mixer Install Kit.

Mixer

# Mixer Assembly: Dual Cylinder Chute Lift



Mixer

# Mixer Assembly: Dual Cylinder Chute Lift

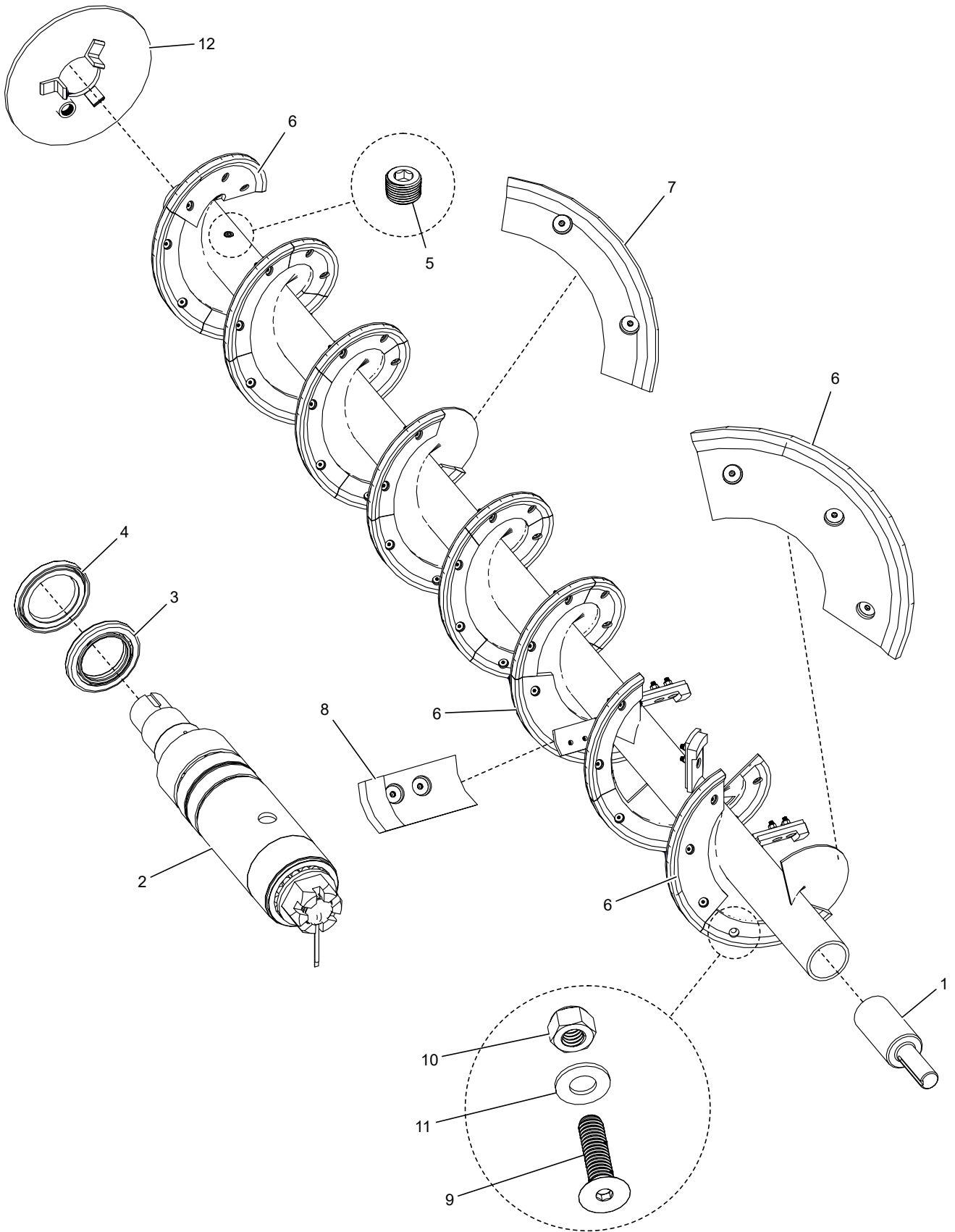
Item	Description	Part Number	Qty
1	FRAME, DUAL RAM	2542-214-03	1
2	MIXER AUGER	1604-260-01	1
3	FLANGE LOCK NUT	5307-216-000	3
4	PLUG	5005-140	1
5	FLANGE LOCK NUT	5307-020-000	125
6	FLANGE BOLT	5309-008-000	17
7	ELEVATOR BOLT	5350-006	30
8	NUT	5300-020	40
9	CARRIAGE BOLT	5325-008	34
10	TOP BOOT	2542-083-03	1
11	RETAINER	2542-082-03	1
12	LATCH RAIL	2542-207-01	1
13	LATCH	2542-406-00	4
14	CARRIAGE BOLT, LONG	5325-012	8
15	CARRIAGE BOLT, SHORT	5325-010	76
16	BOTTOM BOOT	1752-063-00	1
17	RETAINER	1731-006-00	2
18	RETAINER	2542-019-04	1
19	HOPPER GUARD, BTM	1752-015-00	1
20	RETAINER	1548-005	1
21	RETAINER	1548-006	2
22	RETAINER	1752-020-00	1
23	HOPPER GUARD, TOP	2542-089-03	1
24	BOLT	2050-014-04	2
25	BOOT, DUAL RAM	2542-053-05	1
26	RETAINER	1731-045-00	2
27	FLANGE BOLT	5309-408-000	4
28	FLANGE BOLT	5309-410-000	4
29	KEYSTOCK	5375-004-00350	1
30	DEFLECTOR	1752-008-02	1
31	FLANGE BOLT	5309-210-000	3
32	SHIELD	2542-033-08	1
33	ENCODER	5508-202-000	1
34	SPACER	1752-004	2

<sup>1</sup> see Mixer Auger, Idler End, and Drive End on page 70 for components

REPLACEMENT KITS			
Item	Description	Part Number	QTY
RK1	TOP BOOT REPLACEMENT KIT	2542-902-00	1
RK2	BOTTOM BOOT REPLACEMENT KIT	2542-903-00	1
RK3	DISCHARGE BOOT REPLACEMENT KIT	2542-911-00	1
RK4	MOTOR SEAL KIT	5233-700-001	1

# Mixer Auger, Idler End, and Drive End

Mixer



# Mixer Auger, Idler End, and Drive End

Item	Description	Part Number	Qty
1	DRIVE SHAFT, WELD ON	1562-029-01	1
2	IBS SHAFT	2050-452-00	1
3	IBS SEAL, INNER	5160-232	1
4	IBS SEAL, OUTER	5160-232001	1
5	PLUG	5005-123	3
6	WEAR PLATE, 3 HOLE	0234-001	4
7	WEAR PLATE, 2 HOLE	0234-002	22
8	WEAR PLATE, PADDLE	0234-003	5
9	BOLT	5320-110	66
10	LOCK NUT	5302-118	66
11	WASHER	5311-100	66
12	WEAR PLATE & ANGLE, WELD ON	1562-283-00	1
13	BOLT	5315-237-000	1
14	WASHER	5310-200	1
15	FLANGE LOCK NUT	5307-216-000	1
16	FLANGE LOCK NUT	5307-413-000	12
17	BOLT	5330-424-000	4
18	KEYSTOCK	5375-002-00075	1
19	END PLATE	2050-039-00	1
20	IBS SEAL BLOCK	2050-043-00	1
21	IBS BACK PLATE	2050-042-00	1
22	RIGID COUPLER	5370-880	1
23	FLANGE BOLT	5309-420-000	4
24	FLANGE LOCK NUT	5307-413-002	4
25	FLANGE LOCK NUT	5307-020-000	2
26	FLANGE BOLT	5309-410-000	4
27	FLANGE BOLT	5309-414-000	4
28	FLANGE BOLT	5309-004-000	2
29	FLANGE BOLT	5309-006-000	2
30	TOP COVER	2581-089-02	1
31	BRACKET	2581-088-02	2
32	MOTOR MOUNT	2542-084-03	1
33	SPACER	2581-090-02	4
34	SPACER	2581-091-02	2
35	MOTOR	5233-700-000	1
36	BOLT	2542-031-04	1
37	ELBOW	5003-100.10	1
38	GREASE ZERK	5372-001	1
39	REDUCER	5010-112.10	1
40	HYD HOSE ASSY	2542-544-00	1
41	ELBOW	5223-044-001	1
42	WASHER	5310-600	1

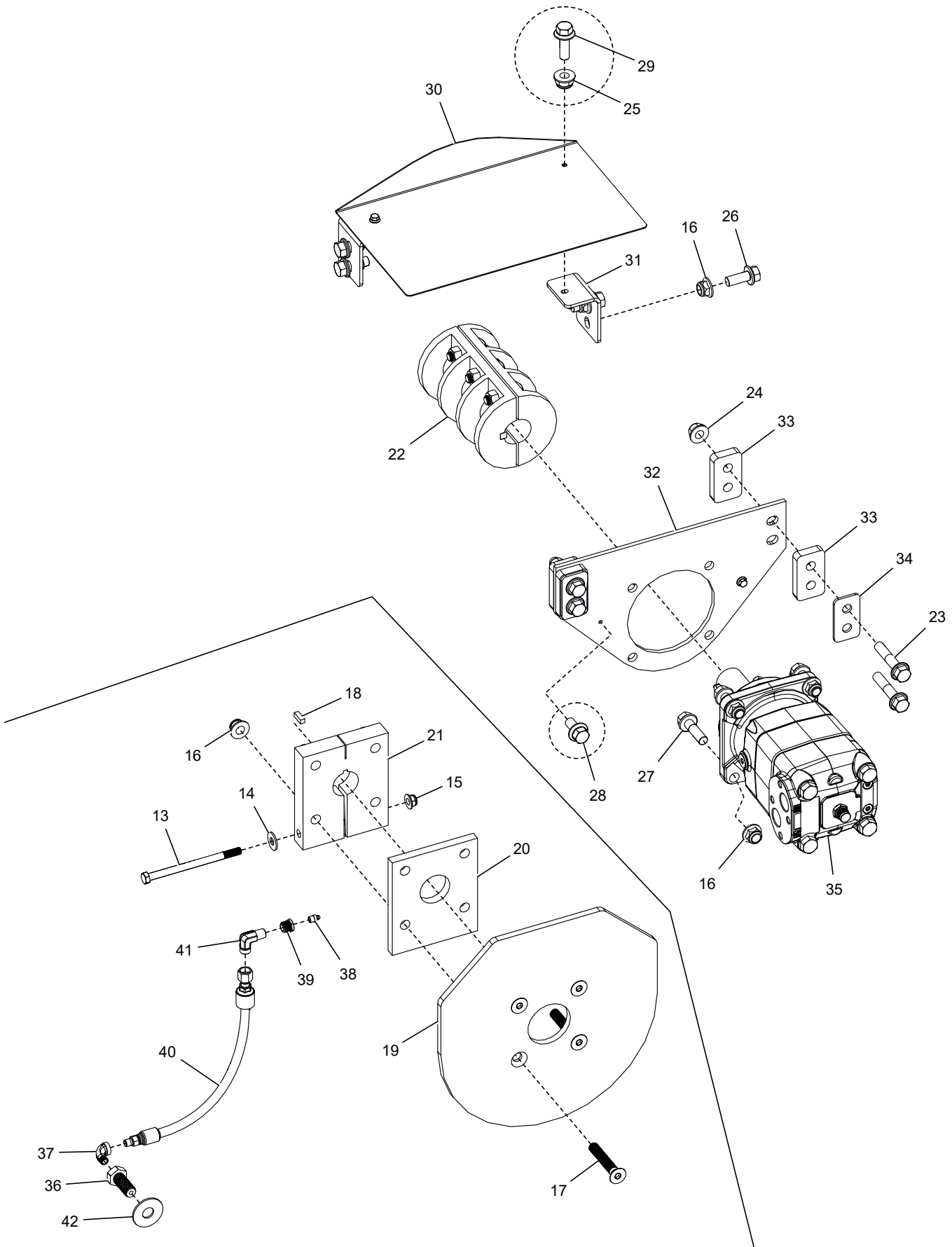
See Mixer Assembly section for assembly.

REPLACEMENT KITS			
Item	Description	Part Number	QTY
RK1	AUGER REBUILD KIT	2542-906-00	1
RK2	WEAR BLADE KIT	1604-250-01K	1
RK3	IBS REPAIR SEAL KIT	2542-907-00	1

Continued on next page

# Mixer Auger, Idler End, and Drive End

Mixer



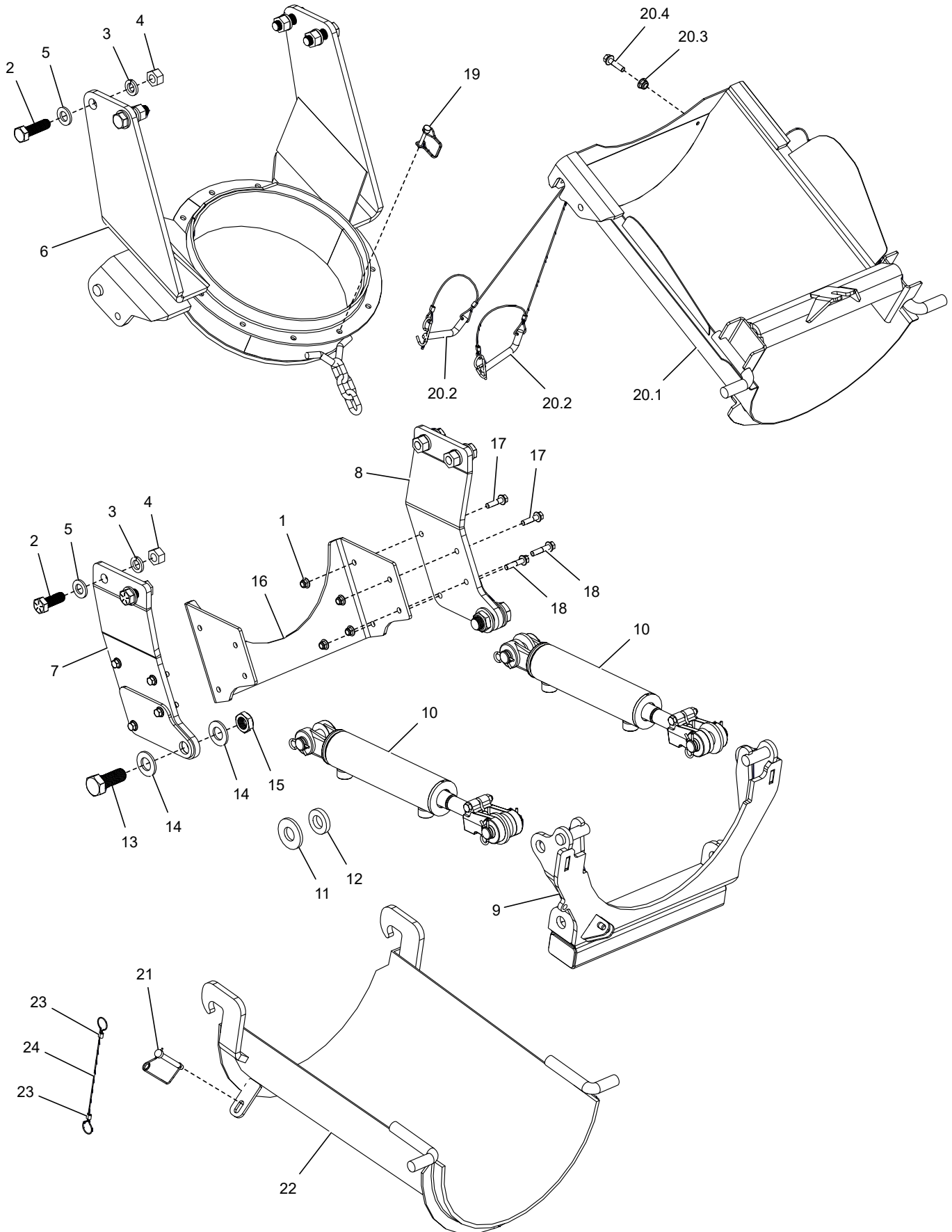
# Mixer Auger, Idler End, and Drive End

Item	Description	Part Number	Qty
1	DRIVE SHAFT, WELD ON	1562-029-01	1
2	IBS SHAFT	2050-452-00	1
3	IBS SEAL, INNER	5160-232	1
4	IBS SEAL, OUTER	5160-232001	1
5	PLUG	5005-123	3
6	WEAR PLATE, 3 HOLE	0234-001	4
7	WEAR PLATE, 2 HOLE	0234-002	22
8	WEAR PLATE, PADDLE	0234-003	5
9	BOLT	5320-110	66
10	LOCK NUT	5302-118	66
11	WASHER	5311-100	66
12	WEAR PLATE & ANGLE, WELD ON	1562-283-00	1
13	BOLT	5315-237-000	1
14	WASHER	5310-200	1
15	FLANGE LOCK NUT	5307-216-000	1
16	FLANGE LOCK NUT	5307-413-000	12
17	BOLT	5330-424-000	4
18	KEYSTOCK	5375-002-00075	1
19	END PLATE	2050-039-00	1
20	IBS SEAL BLOCK	2050-043-00	1
21	IBS BACK PLATE	2050-042-00	1
22	RIGID COUPLER	5370-880	1
23	FLANGE BOLT	5309-420-000	4
24	FLANGE LOCK NUT	5307-413-002	4
25	FLANGE LOCK NUT	5307-020-000	2
26	FLANGE BOLT	5309-410-000	4
27	FLANGE BOLT	5309-414-000	4
28	FLANGE BOLT	5309-004-000	2
29	FLANGE BOLT	5309-006-000	2
30	TOP COVER	2581-089-02	1
31	BRACKET	2581-088-02	2
32	MOTOR MOUNT	2542-084-03	1
33	SPACER	2581-090-02	4
34	SPACER	2581-091-02	2
35	MOTOR	5233-700-000	1
36	BOLT	2542-031-04	1
37	ELBOW	5003-100.10	1
38	GREASE ZERK	5372-001	1
39	REDUCER	5010-112.10	1
40	HYD HOSE ASSY	2542-544-00	1
41	ELBOW	5223-044-001	1
42	WASHER	5310-600	1

See Mixer Assembly section for assembly.

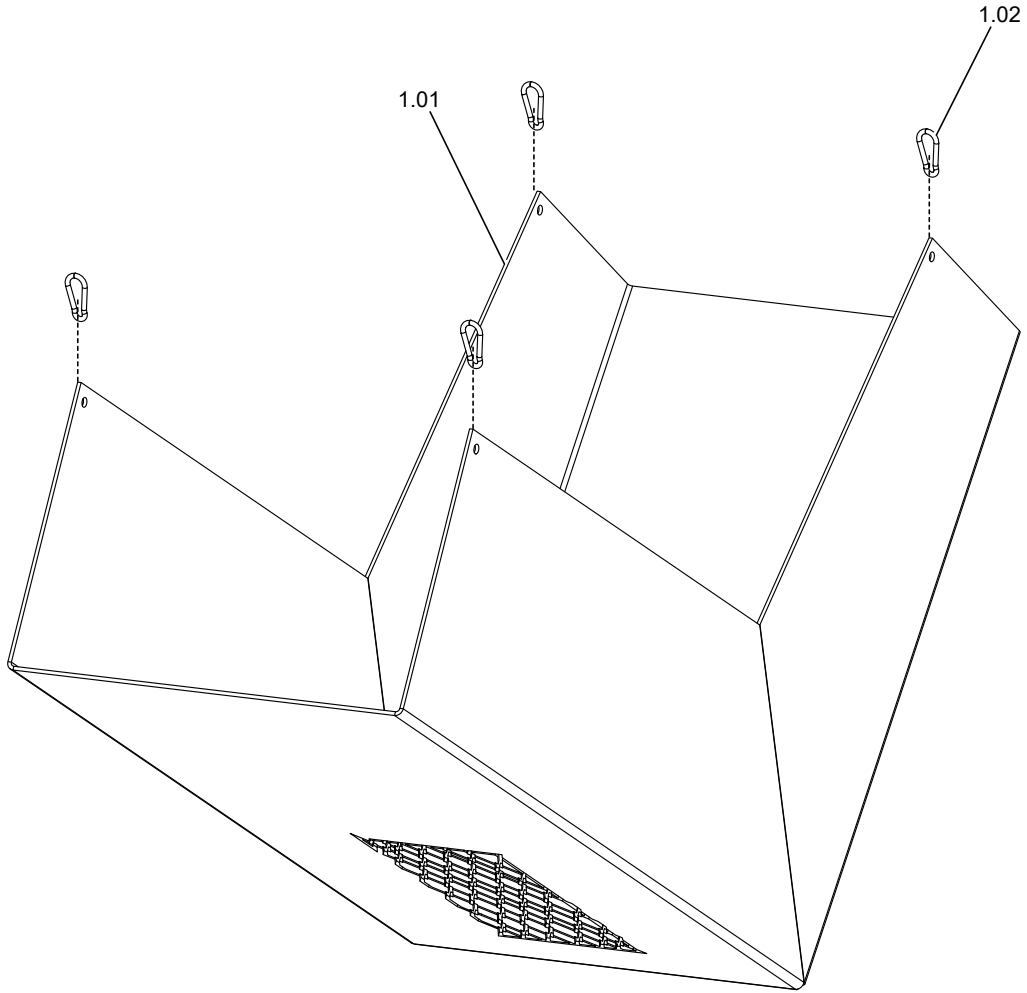
REPLACEMENT KITS			
Item	Description	Part Number	QTY
RK1	AUGER REBUILD KIT	2542-906-00	1
RK2	WEAR BLADE KIT	1604-250-01K	1
RK3	IBS REPAIR SEAL KIT	2542-907-00	1

# Mixer Discharge Chutes



Mixer

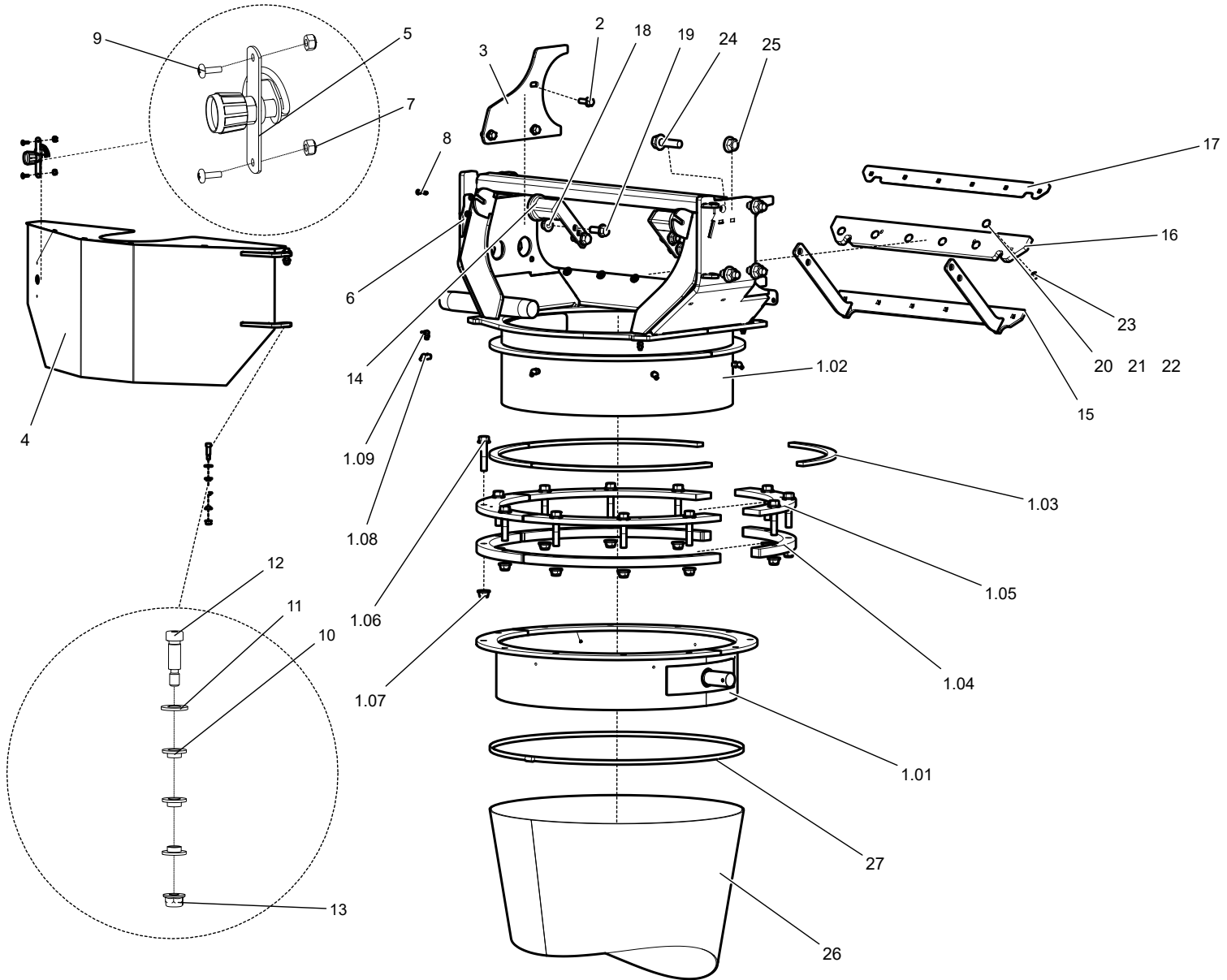
Item	Description	Part Number	Qty
1	FLANGE LOCK NUT	5307-216-000	8
2	BOLT	5315-720B	8
3	LOCK WASHER	5305-700	8
4	NUT	5300-710B	8
5	WASHER	5310-602-000	8
6	360 SWIVEL	2542-214-01	1
7	MIXER EAR, RH	2542-282-01	1
8	MIXER EAR, LH	2542-283-01	1
9	CHUTE MOUNT	2542-209-01	1
10	CYLINDER	GPCS10927	2
11	CYL WASHER	1521-055	4
12	CYL SPACER	2542-097-03	4
13	BOLT	5315-820	2
14	WASHER	5310-800-002	4
15	NUT	5304-808-000	2
16	BRACE	2542-066-05	1
17	FLANGE BOLT	5309-212-000	4
18	FLANGE BOLT	5309-214-000	4
19	LOCK PIN	5377-654	2
20	CHUTE	1521-404-00	1
20.1	CHUTE, 360	1521-277-00	1
20.2	PIN & TETHER	1521-403-00	4
20.3	FLANGE LOCK NUT	5307-020-000	2
20.4	FLANGE BOLT	5309-008-000	2
21	LOCK PIN	5377-660-000	1
22	CHUTE	2542-208-01	1
23	CABLE SLEEVE	5612-016	2
24	CABLE	5610-016-01600	1



<i>Item</i>	<i>Description</i>	<i>Part Number</i>	<i>Qty</i>
1	DIAPER ASSY, YELLOW	1752-410-00	1
	DIAPER ASSY, RED	1752-413-00	1
	DIAPER ASSY, GREEN	1752-415-00	1
1.01	DIAPER, YELLOW	5910-713	1
	DIAPER, RED	5910-713-001	1
	DIAPER, GREEN	5910-713-002	1
1.02	HOOK	5374-308-000	4

# Mixer Hopper

Mixer

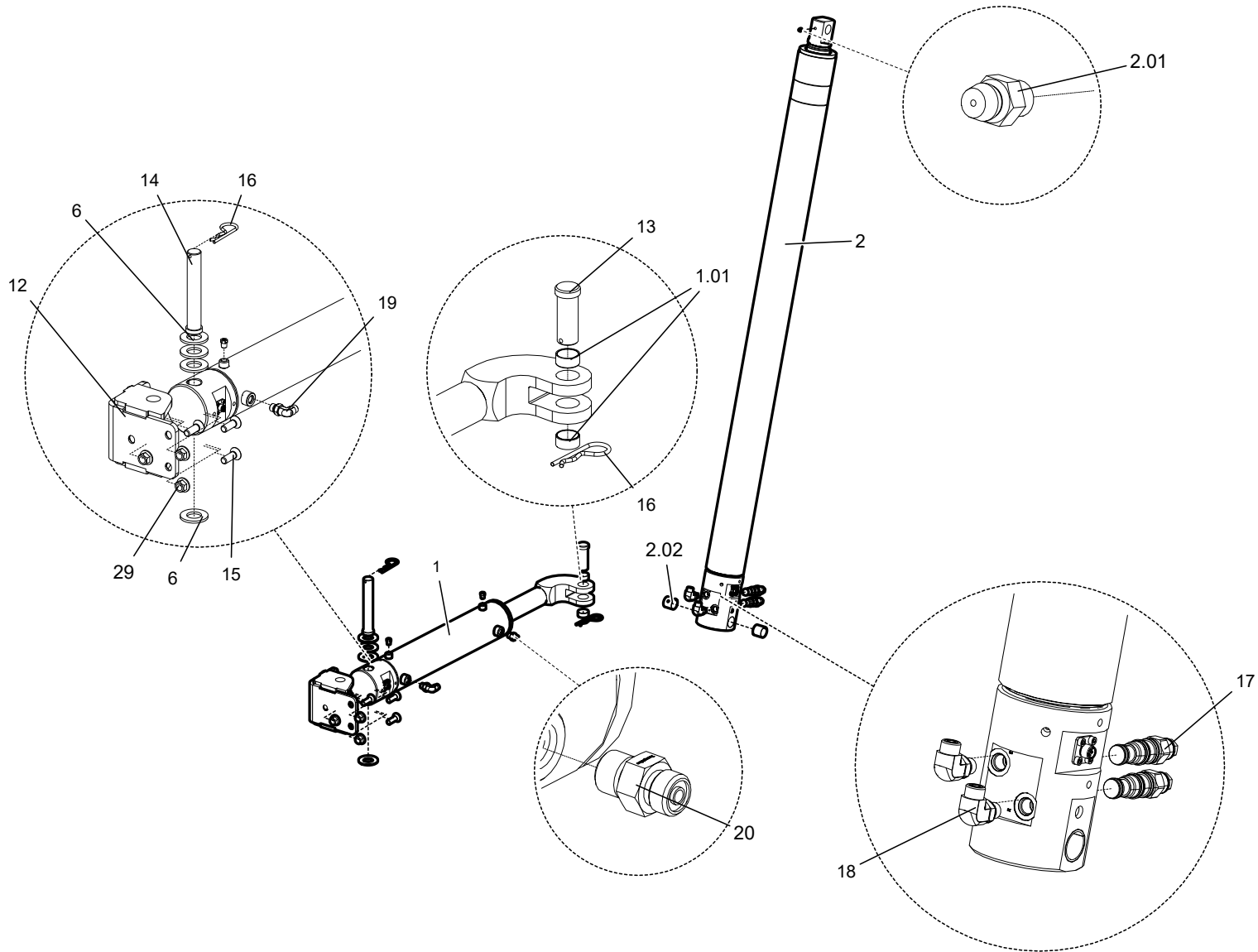


Item	Description	Part Number	Qty
1	MIXER SWIVEL HOPPER	2603-137-00	1
1.01	OUTER RING	2542-213-04	1
1.02	MIXER SWIVEL HOPPER RING	2603-266-02	1
1.03	SWIVEL SLIP RING	2050-064-00	4
1.04	SWIVEL SPACER RING	2542-062-12	4
1.05	SWIVEL HOPPER TOP RETAINER	2542-063-12	4
1.06	BOLT	5309-420-000	12
1.07	FLANGE LOCK NUT	5307-413-000	12
1.08	GREASE FITTING	5372-102	6
1.09	GREASE FITTING	5372-008	4
2	BOLT	5309-208-000	6
3	SIDE GUIDE	2542-057-12	2
4	MIXER HOPPER DOOR	2542-216-04	1
5	SPRING LATCH	5370-031-000	1
6	MIXER HOPPER DOOR LATCH	2542-061-12	1
7	LOCK NUT	5337-33201	4
8	SCREW	5335-330-001	2
9	SCREW	5335-320-001	2
10	SHOULDER WASHER	5310-904-000	8
11	FLAT WASHER	5311-100-001	2
12	SHOULDER BOLT	5365-106-001	2
13	FLANGE LOCK NUT	5307-020-000	2
14	BELT WIPER TENSIONER	2542-034-08	2
15	BELT WIPER MOUNT	2542-217-04	1
16	BELT WIPER RETAINER	2603-069-00	1
17	BELT WIPER	2603-068-00	1
18	FLANGE LOCK NUT	5307-413-00	4
19	BOLT	5309-410-000	4
20	CARRIAGE BOLT	5325-112	6
21	FLAT WASHER	5311-100	6
22	LOCK WASHER	5305-100	6
23	NUT	5300-118	6
24	BOLT	5309-618-003	8
25	FLANGE LOCK NUT	5307-618-002	8
26	HOPPER SKIRT	2050-027-02	1
27	HOPPER SKIRT CLAMP	5370-128	1

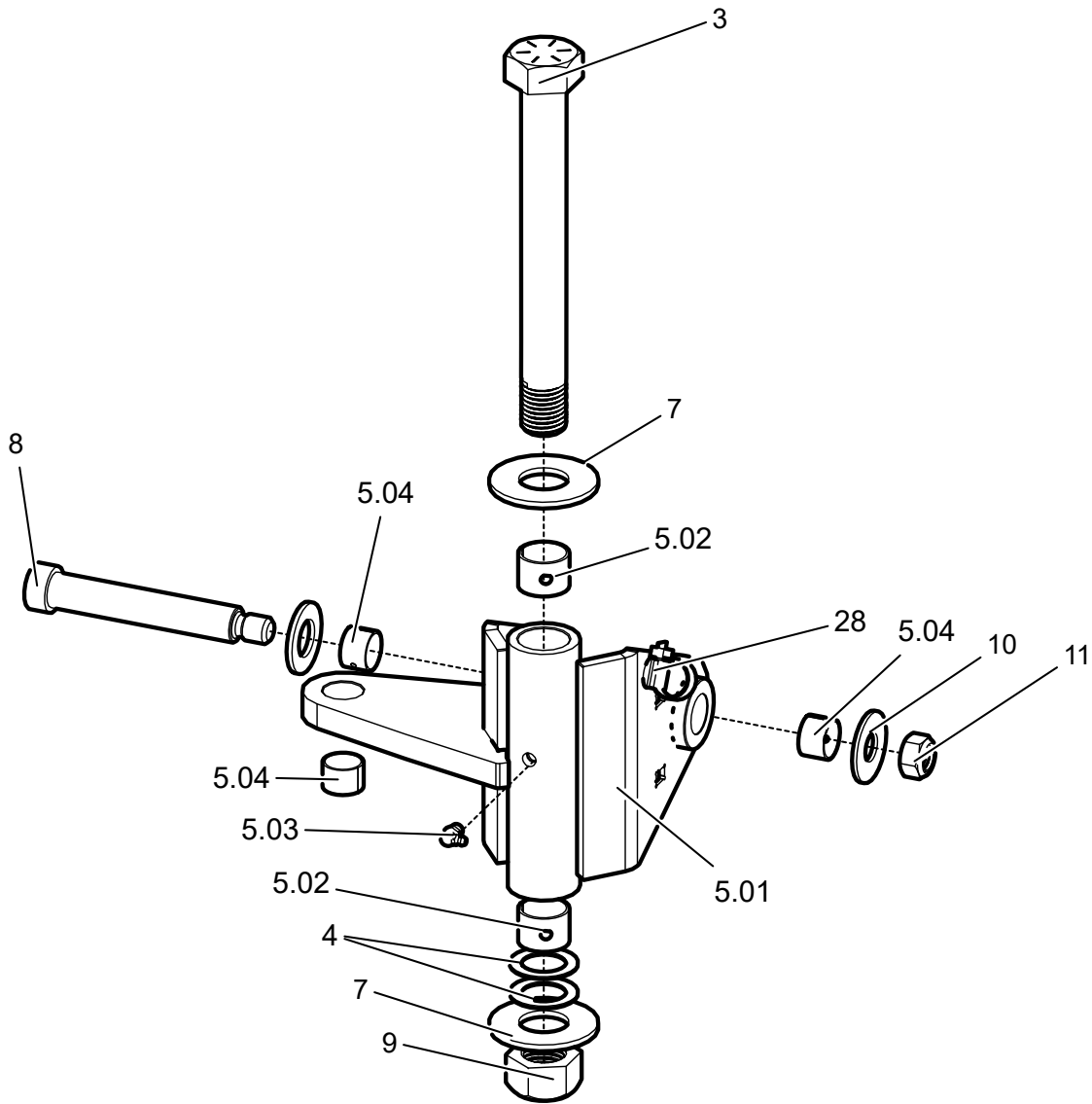
Install Kit			
IK1	MIXER HOPPER	2603-301-03	1

# Mixer Swivel

Mixer



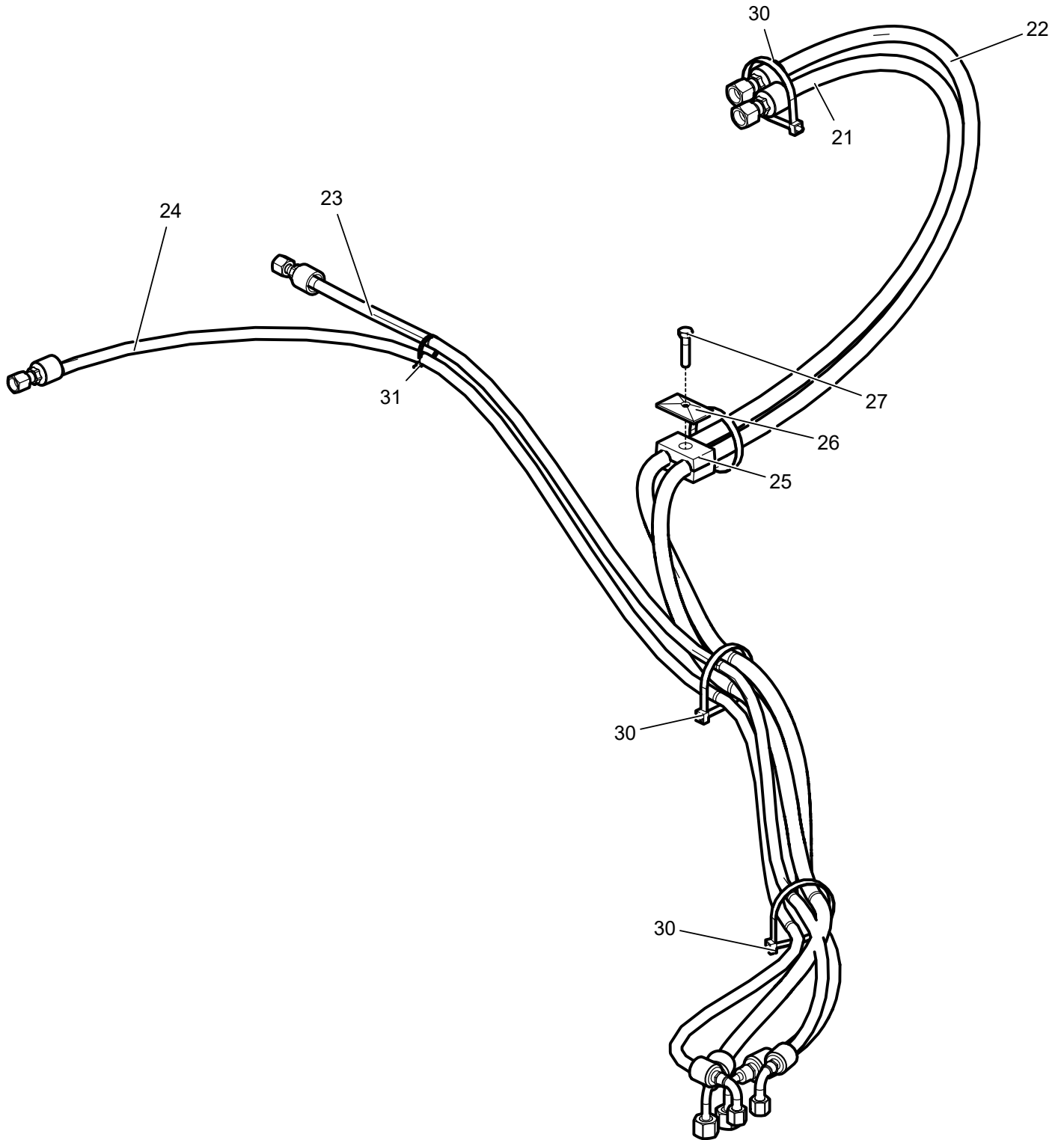
Item	Description	Part Number	Qty
1	HYDRAULIC CYLINDER	5234-612-002	1
1.01	BUSHING	5154-316-408	2
1.02	BLEEDER VALVE	5234-612-003	2
2	HYDRAULIC CYLINDER	5234-648-000	1
2.01	GREASE FITTING	5372-001	1
2.02	BUSHING	5154-316-016	4
6	FLAT WASHER	5310-800-002	5
12	REAR SWIVEL MOUNT	2542-246-00	1
13	SHOULDERED CYLINDER PIN	5234-017-000	1
14	SHOULDERED CYLINDER PIN	5234-019-000	1
15	BOLT	5320-412-000	6
16	COTTER PIN	5377-307	2
17	COUNTERBALANCE CARTRIDGE	5228-065-000	2
18	HYDRAULIC ELBOW	5223-029-002	2
19	HYDRAULIC ELBOW	5223-079-001	1
20	HYDRAULIC CONNECTOR	5223-078-001	1
29	FLANGE TOP LOCK	5307-413-002	6



Item	Description	Part Number	Qty
3	FAIRLEAD BOLT	2542-030-03	1
4	BUSHING	5383-002	2
5	FAIRLEAD ASSEMBLY	2603-402-00	1
5.01	MIXER FAIRLEAD WLEDMENT	2603-255-00	1
5.02	BEARING	5154-320-016	2
5.03	GREASE FITTING	5372-004	1
5.04	BEARING	5154-316-012	3
7	FLAT WASHER	5311-900	2
8	SHOULDER BOLT	5365-744-001	1
9	LOCK NUT	5302-906-000	1
10	FLAT WASHER	5310-700	1
11	TOP LOCK NUT	5302-711-001	1

# Mixer Swivel Hoses

Mixer

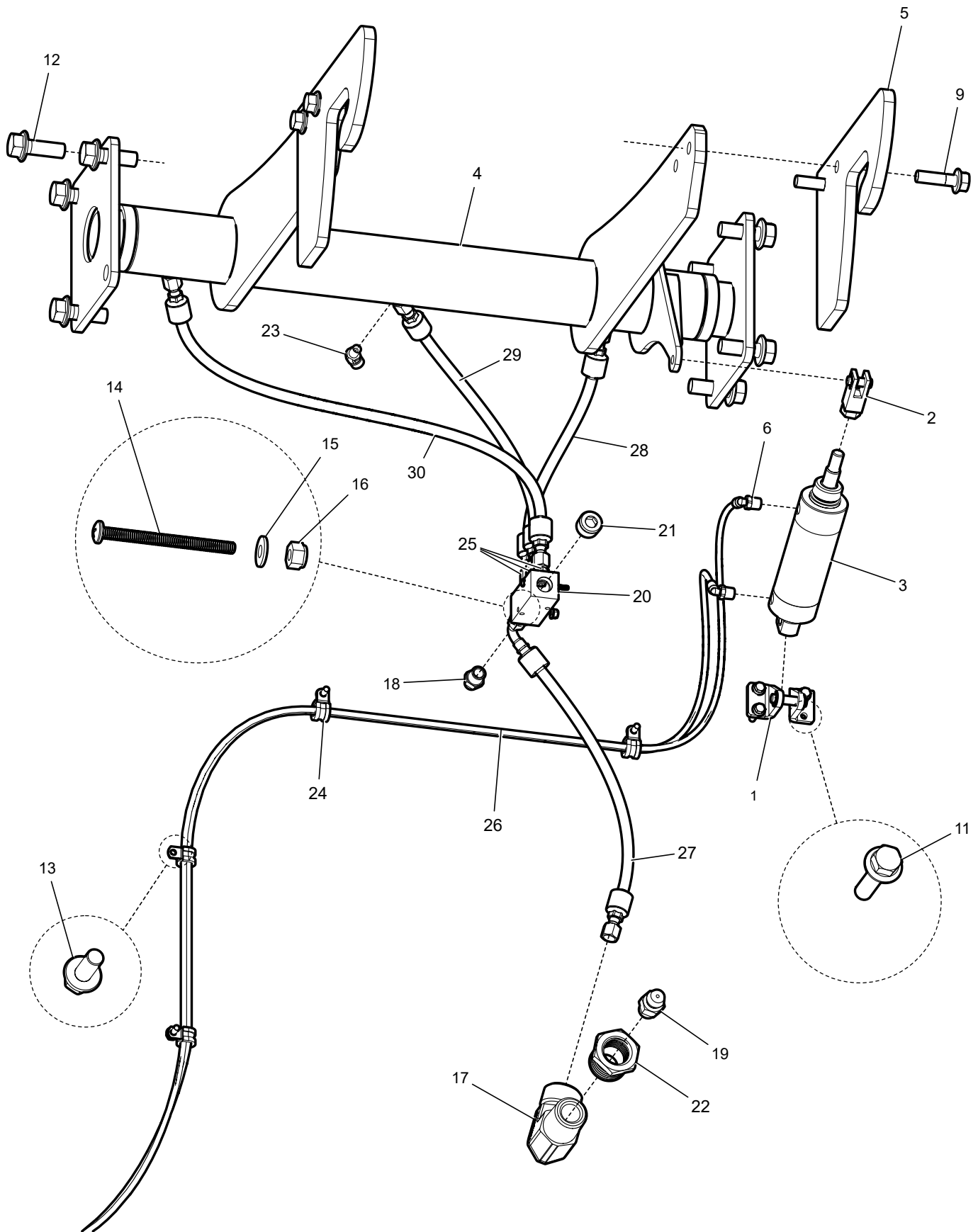


Item	Description	Part Number	Qty
21	HYDRAULIC HOSE	2603-590-00	1
22	HYDRAULIC HOSE	2603-597-00	1
23	HYDRAULIC HOSE	2603-595-00	1
24	HYDRAULIC HOSE	2603-596-00	1
25	CLAMP BODY	5370-403-004	1
26	COVER PLATE	5370-403-002	1
27	CLAMP BOLT	5370-403-003	1
28	WIRE TIE, TREE	5532-205-000	1
30	WIRE TIE	5532-115	5
31	WIRE TIE	5532-104	1
32	HYDRAULIC HOSE SLEEVE <sup>1</sup>	5224-5200-16	3'

<sup>1</sup>not shown, applied to mixer hoses

# Transport Hooks

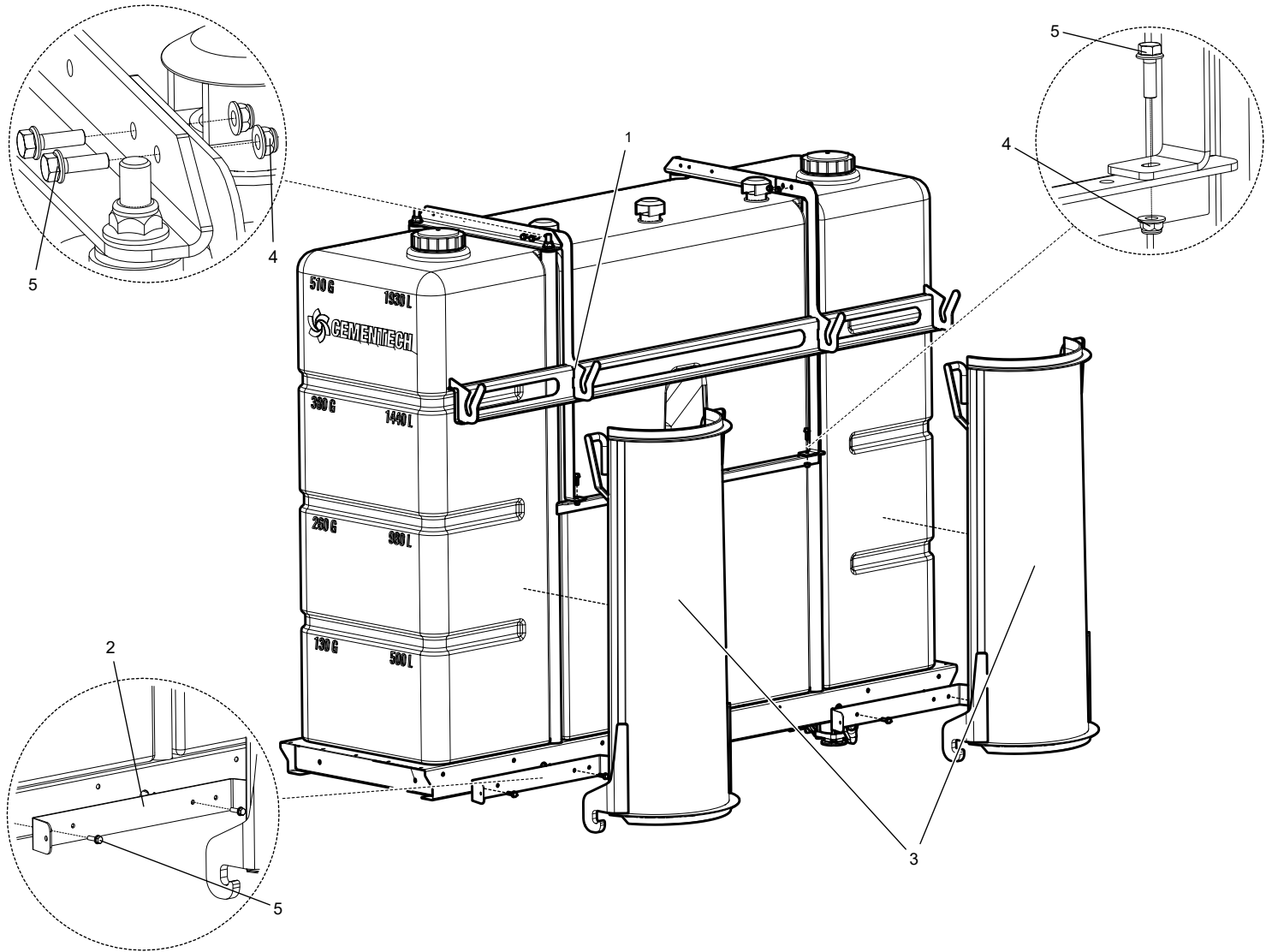
Mixer



Item	Description	Part Number	Qty
1	CYLINDER MOUNT	GPCS8308	1
2	CLEVIS	GPCS8307	1
3	CYLINDER	GPCS8306	1
4	HOOK MOUNT	2542-294-01	1
5	HOOK	1725-052-00	2
6	PUSHLOCK	5077-523	2
7	FLANGE LOCK NUT	5307-413-002	4
8	FLANGE LOCK NUT	5307-611-002	8
9	FLANGE BOLT	5309-414-002	4
10	FLANGE LOCK NUT	5307-020-000	4
11	FLANGE BOLT	5309-008-000	4
12	FLANGE BOLT	5309-614-002	8
13	FLANGE BOLT	5309-005-000	4
14	SCREW	5335-210	2
15	WASHER	5336-144	2
16	LOCK NUT	5337-101	2
17	ELBOW	5223-044-001	1
18	CONNECTOR	5223-036-002	1
19	GREASE ZERK	5372-001	1
20	MANIFOLD	5372-200-000	1
21	PLUG	5005-123-001	1
22	REDUCER	5010-112.10	1
23	ELBOW	5223-034-002	3
24	CLAMP	5532-514	4
25	HYDRAULIC CONNECTOR	5223-035-002	3
26	AIRLINE TUBE	5075-204	13.67'
27	GREASE ZERK -> GREASE MAN	2542-506-02	1
28	TOP CBIN -> PASS T HOOK	2542-507-02	1
29	CNTR GREASE MAN -> CNTR T HOOK	2542-508-02	1
30	TOP MIX SIDE MAN -> DRIVE T HOOK	2542-509-02	1

# Extra Chutes: Water Tank Mounted

Mixer

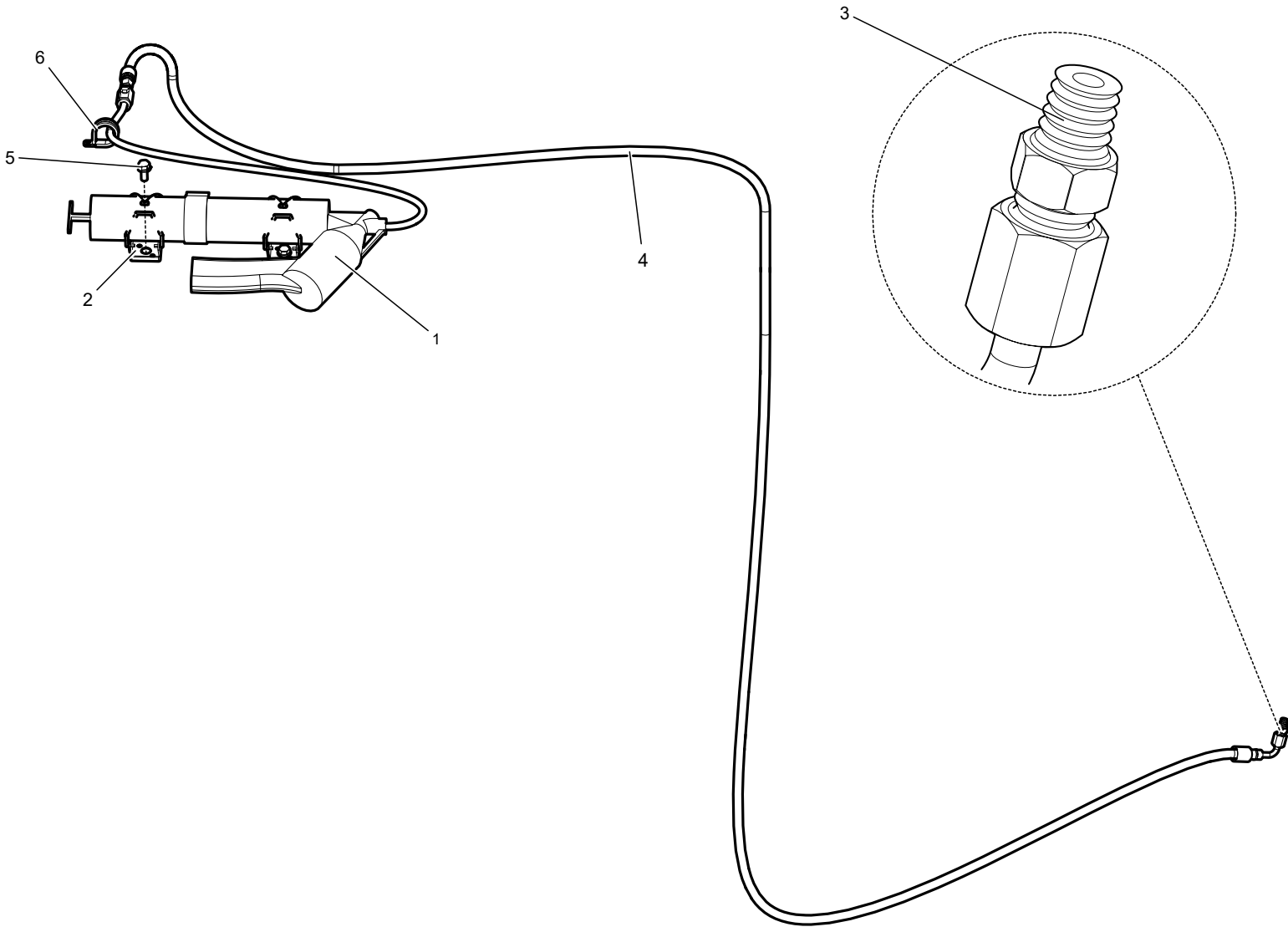


## Extra Chutes: Water Tank Mounted

<i>Item</i>	<i>Description</i>	<i>Part Number</i>	<i>Qty</i>
1	CHUTE RACK WATER TANK MOUNT	2603-288-01	1
2	LOWER CHUTE MOUNT BRACKET	2581-074-02	2
3	CHUTE, ALUMINUM	5969-002-000	2
4	FLANGE LOCK NUT	5307-118-000	10
5	BOLT	5309-108-000	10

# Mixer Grease Gun

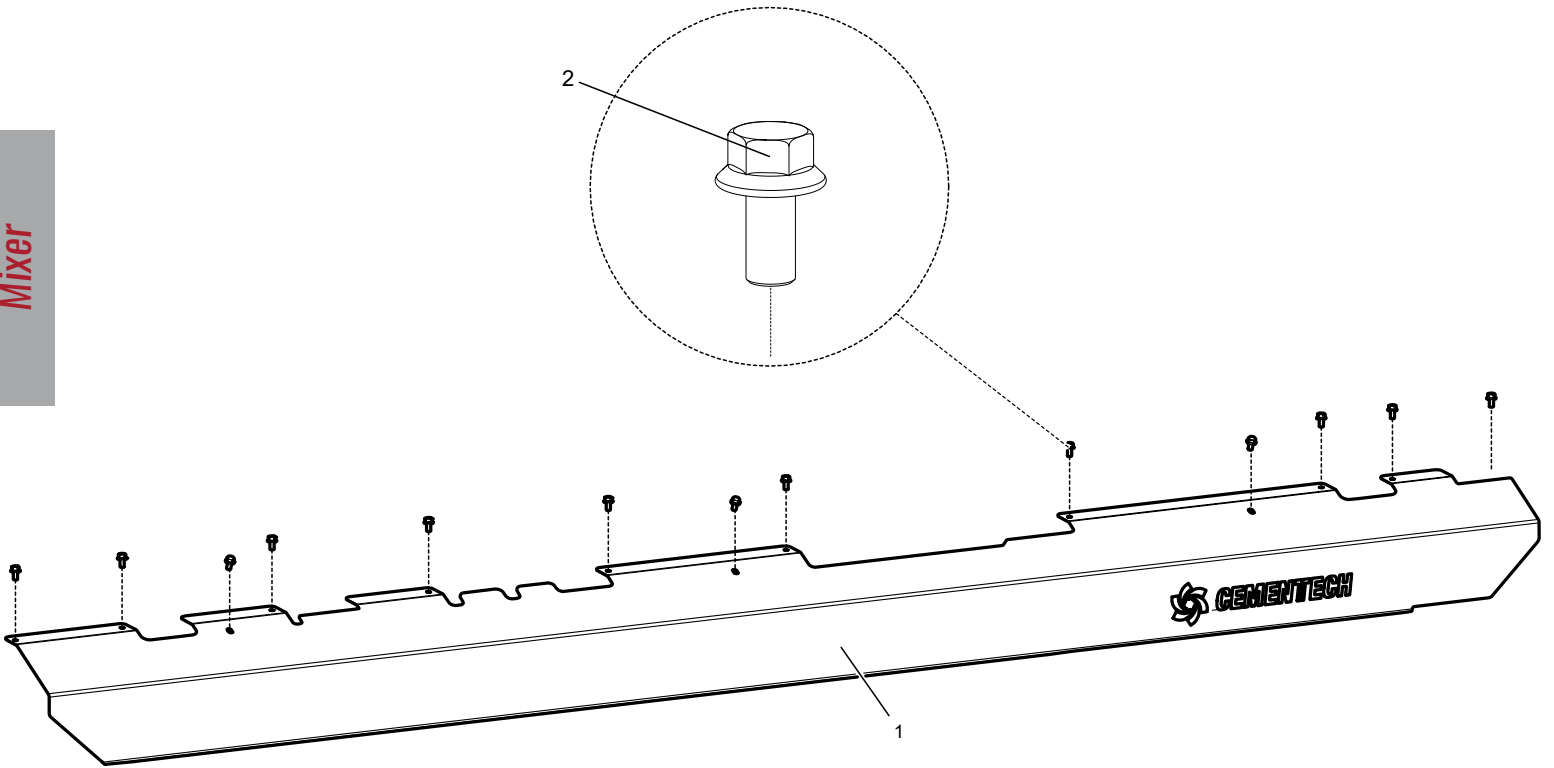
Mixer



<i>Item</i>	<i>Description</i>	<i>Part Number</i>	<i>Qty</i>
1	AIR GREASE GUN ASSEMBLY	2562-400-00	1
2	GREASE GUN HOLDER	9500-010.01	2
3	HYD CONNECTOR	5224-2404-04-02	1
4	HYD HOSE	2603-557-01	1
5	BOLT	5309-106-000	2
6	CUSHION CLAMP	5532-520-001	1

# Mixer Heat Shield

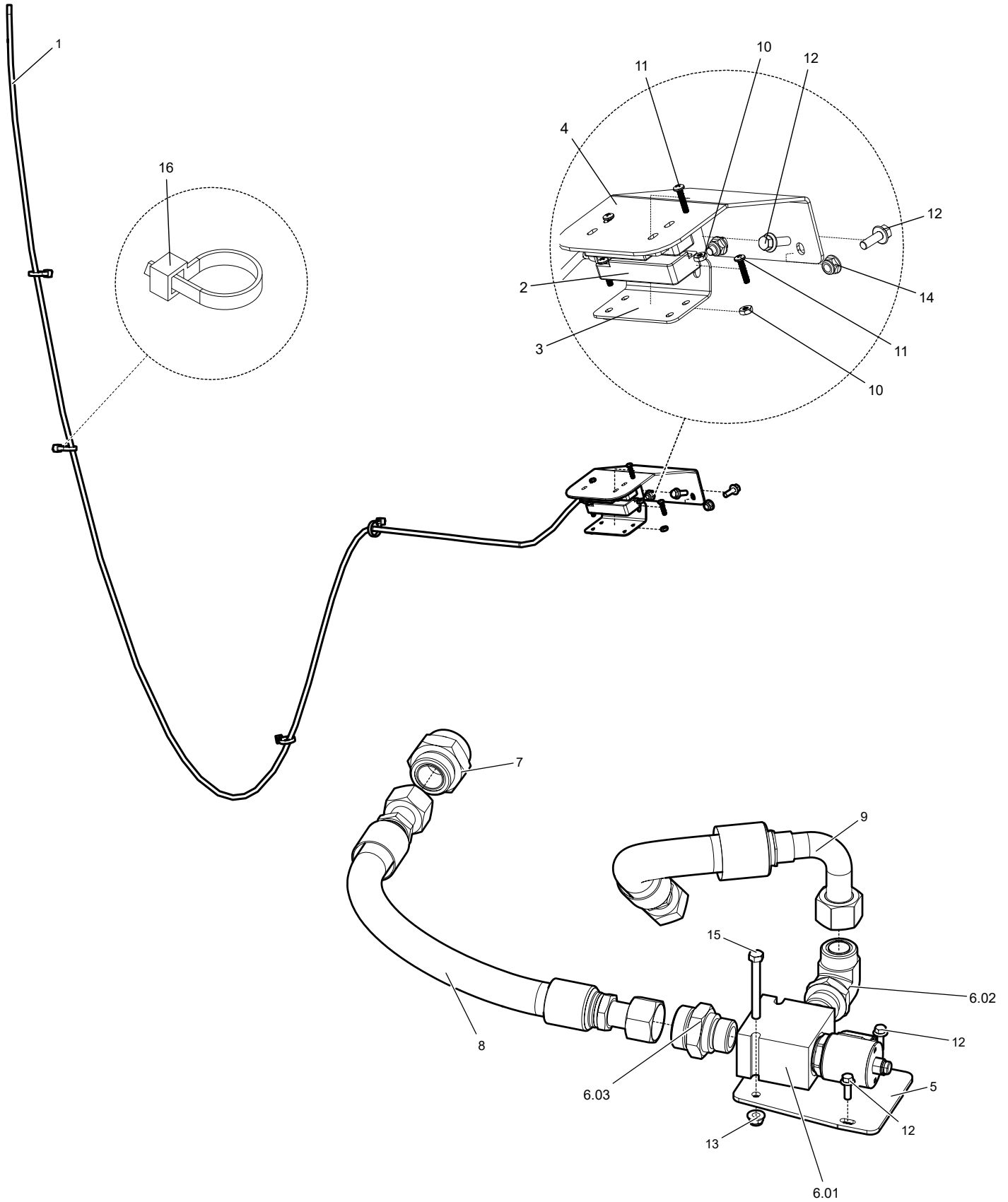
Mixer



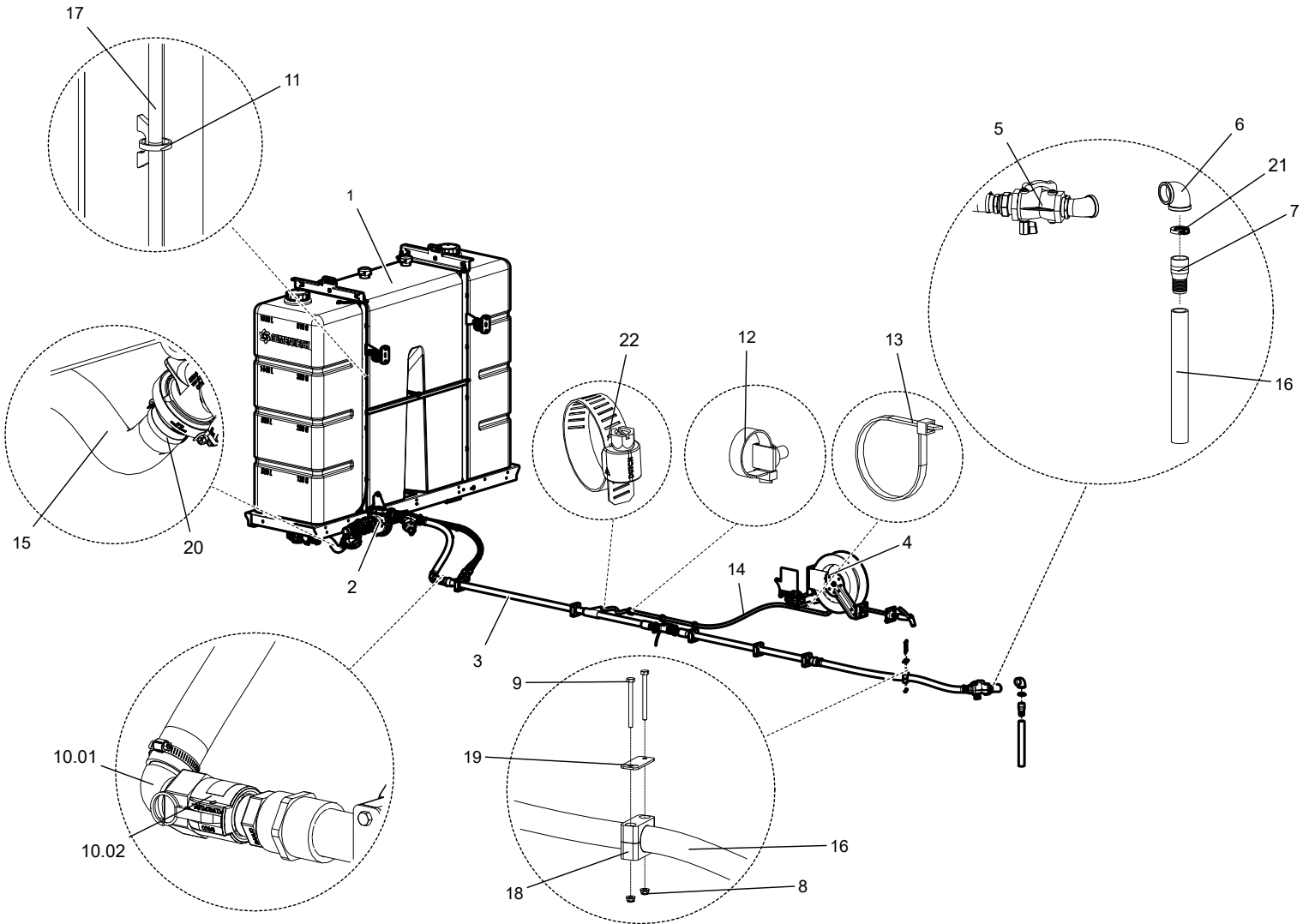
<i>Item</i>	<i>Description</i>	<i>Part Number</i>	<i>Qty</i>
1	MIXER HEAT SHIELD	2603-020-12	1
2	BOLT	5309-004-000	13

# Mixer Safety Switch

Mixer



Item	Description	Part Number	Qty
1	MIXER SHUTOFF WIRELOOM	2552-547-18	1
2	MAGNETIC SAFETY SWITCH	5526-139-006	1
3	LOWER SWITCH MOUNT	2581-030-02	1
4	UPPER SWITCH MOUNT	2581-031-02	1
5	VALVE MOUNT	2603-008-04	1
6.01	BYPASS VALVE, 24V	5227-043-001	1
6.02	HYDRAULIC ELBOW	5223-055-001	1
6.03	HYDRAULIC CONNECTOR, STR	5223-086-001	1
7	HYDRAULIC CONNECTOR, STR	5223-001-003	1
8	HYDRAULIC HOSE	2603-585-00	1
9	HYDRAULIC HOSE	2603-586-00	1
10	NUT	5336-132	4
11	SCREW	5335-106	4
12	BOLT	5309-006-000	6
13	FLANGE LOCK NUT	5307-118-000	2
14	FLANGE LOCK NUT	5307-020-000	2
15	BOLT	5315-122-000	2
16	WIRE TIE	5533-108	4



Item	Description	Part Number	Qty
1	INSTALL: 510 WATER TANK <sup>1</sup>	2603-391-02	1
2	INSTALL: WATER PUMP <sup>2</sup>	2603-344-01	1
3	INSTALL: WATER PIPE <sup>3</sup>	2603-345-01	1
4	INSTALL: HOSE REEL <sup>4</sup>	2603-340-02	1
5	WATER SHUTOFF VALVE <sup>5</sup>	2603-483-00	1
6	ELBOW 90	5001-160.10	1
7	KC NIPPLE	5070-160	1
8	FLANGE LOCK NUT	5307-020-000	2
9	CLAMP BOLT	5315-024	2
10.01	HOSE BARB 90	5401-722-000	1
10.02	CAMLOCK COUPLING	5200-068-014	1
11	WIRE TIE	5532-104	4
12	WIRE TIE, TREE	5532-205-000	3
13	WIRE TIE	5532-106	2
14	AIR HOSE	5400-081	10.28'
15	WATER HOSE	5400-241	1.43'
16	WATER DISCHARGE HOSE	5400-242	1.00'
17	AIRLINE TUBING	5075-204	7.39'
18	CLAMP BODY	5370-406-004	1
19	COVER PLATE	5370-406-002	1
20	HOSE CLAMP	5370-524	2
21	HOSE CLAMP	5370-520	5
22	HOSE CLAMP	5370-510	2

<sup>1</sup>see page 98 for Water Tank components

<sup>2</sup>see page 102 for Water Pump components

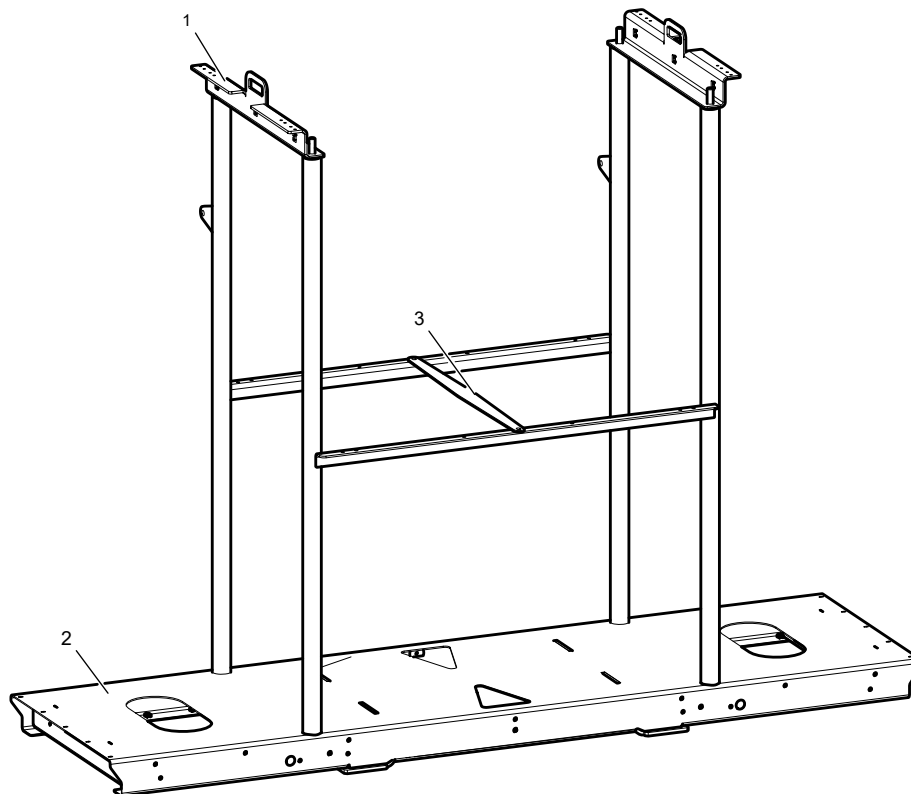
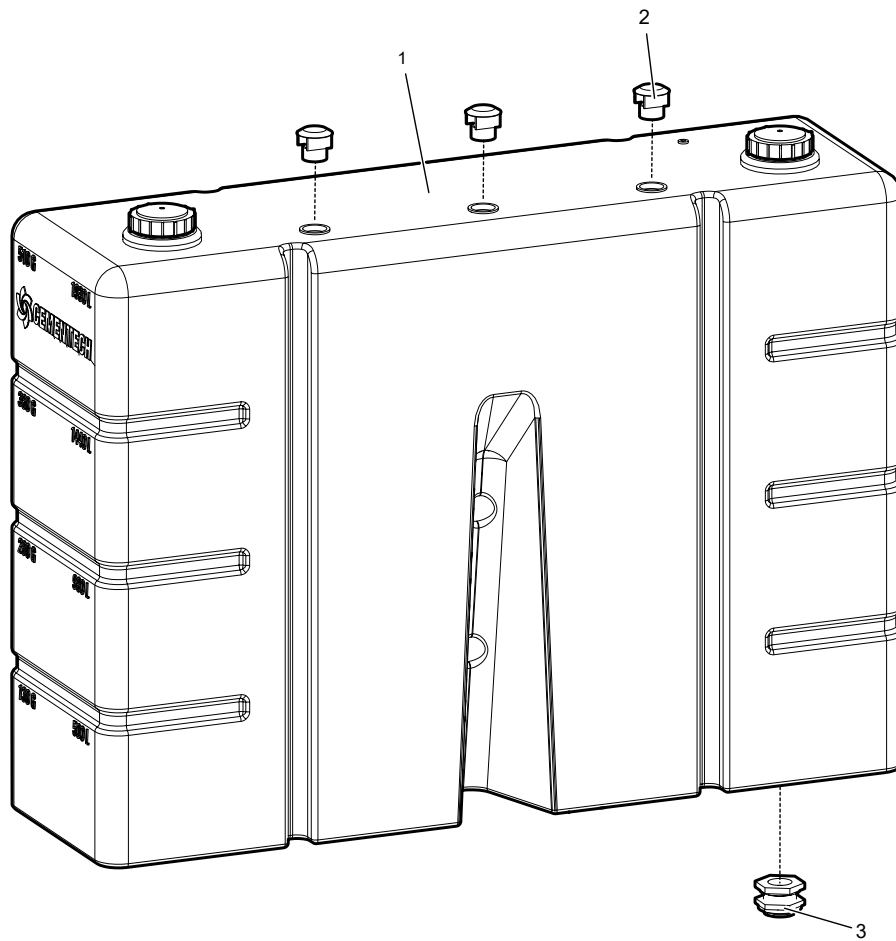
<sup>3</sup>see page 104 for Water Pipe components

<sup>4</sup>see page 106 for Hose Reel components

<sup>5</sup>see page 108 for Water Shutoff Valve components

# Water Tank and Base

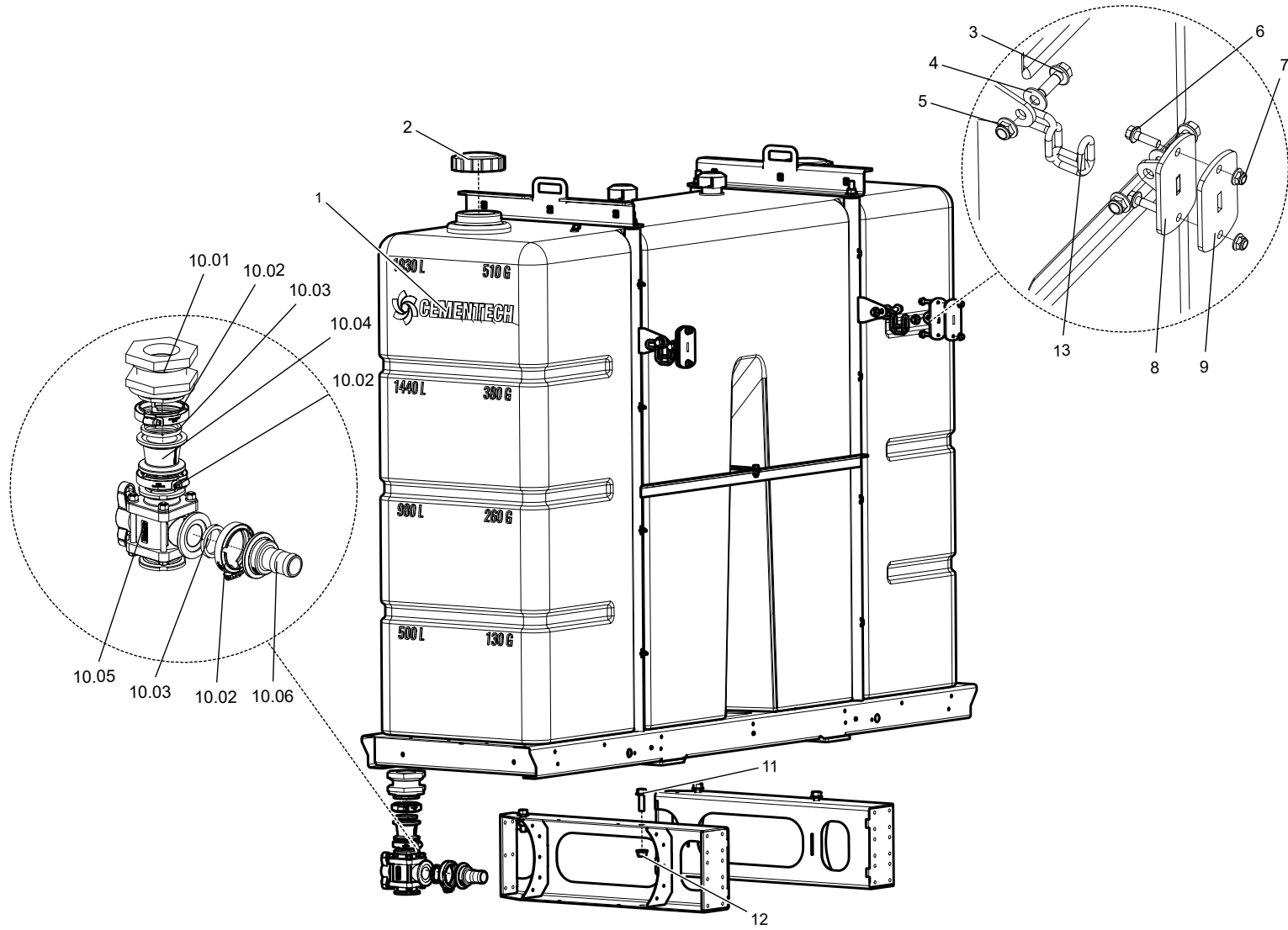
Water



<i>Item</i>	<i>Description</i>	<i>Part Number</i>	<i>Qty</i>
1	TOP SUPPORT	2603-077-08	2
2	TANK BASE	2603-245-02	1
3	CENTER SUPPORT	2603-052-04	1
4	510 WATER TANK	5457-510-000	1
5	CAP	5457-920	3
6	BULKHEAD	5457-947-000	1

# Water Tank Mounting & Riser

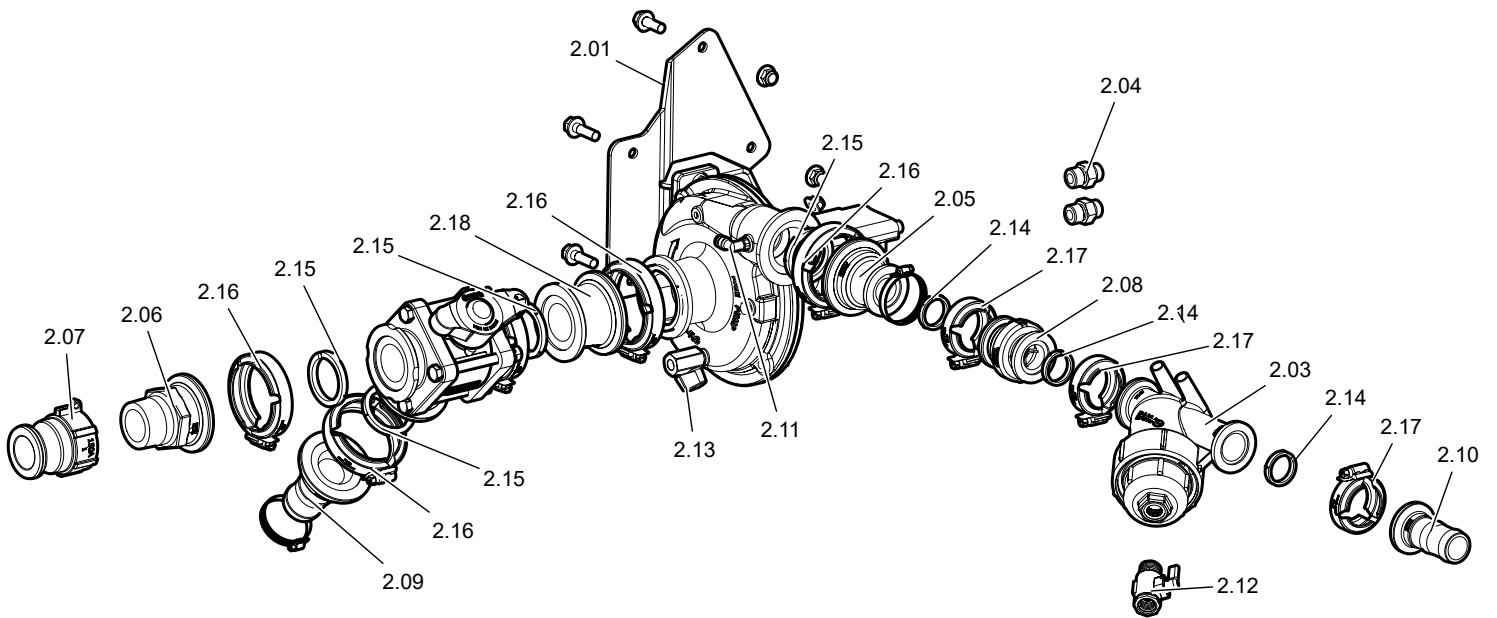
Water



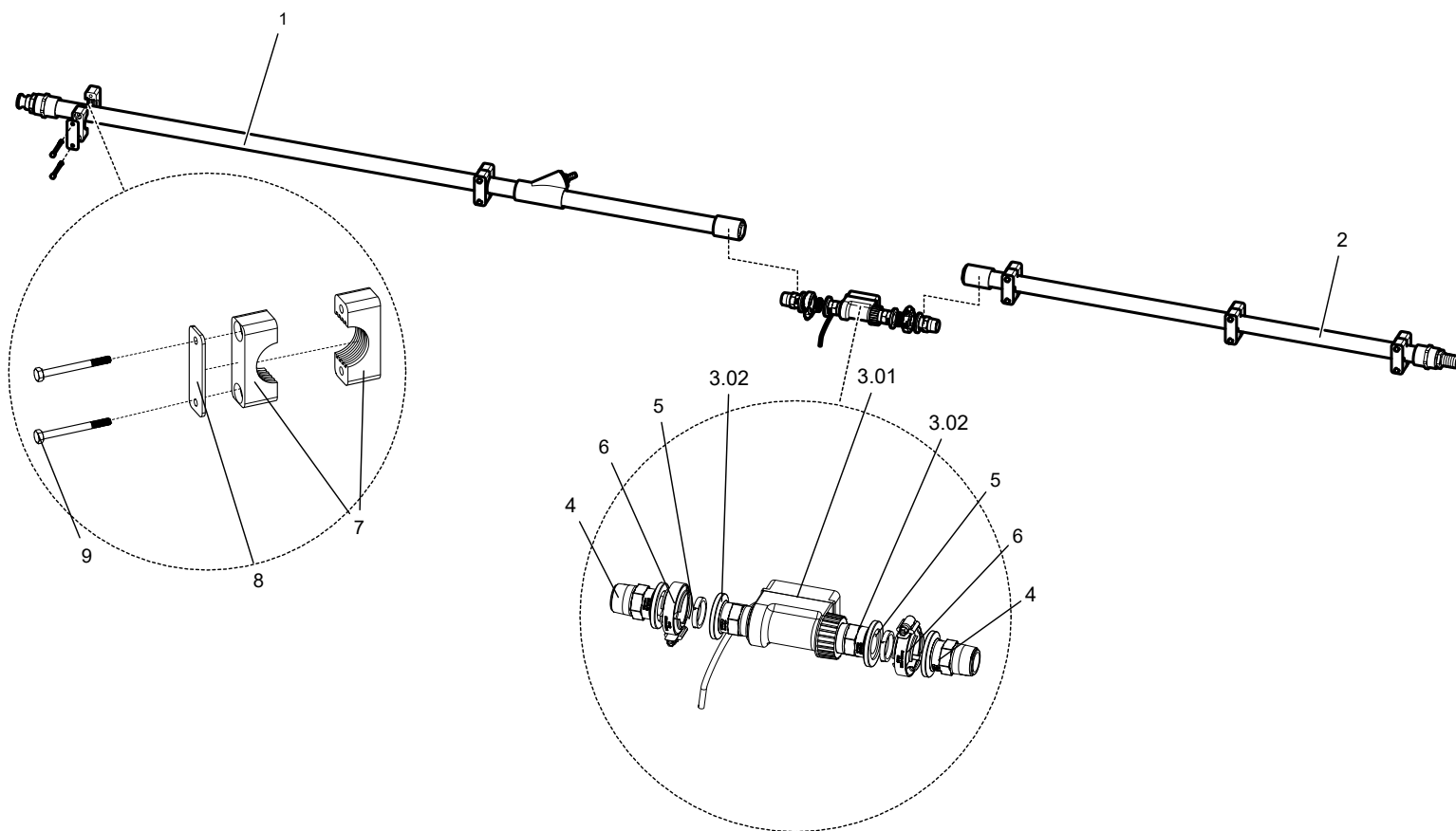
Item	Description	Part Number	Qty
1	WATER TANK, 510 GALLON	5457-510-000	1
2	WATER TANK CAP	5457-904	2
3	BOLT	5307-413-000	4
4	FLAT WASHER	5310-400	4
5	FLANGE LOCK NUT	5309-412-000	4
6	BOLT	5309-210-000	4
7	FLANGE LOCK NUT	5607-216-000	4
8	BOLT ON BRACE	2603-211-02	2
9	MONTING PAD	2581-018-01	2
10	WATER TANK FITTING ASSY	2603-423-01	1
10.01	BULKHEAD	5457-947-000	1
10.02	FLANGE CLAMP	5016-300-002	3
10.03	GASKET	5016-301-002	3
10.04	COUPLING	5016-000-000	1
10.05	3-WAY VALVE	5456-153-000	1
10.06	BARB FITTING	5016-200-003	1
11	BOLT	5309-212-002	12
12	FLANGE LOCK NUT	5309-216-002	12
13	CHAIN COUPLING	5600-200-00800	2
14	WATER TANK RISER	2603-246-02	2

# Water Pump

Water



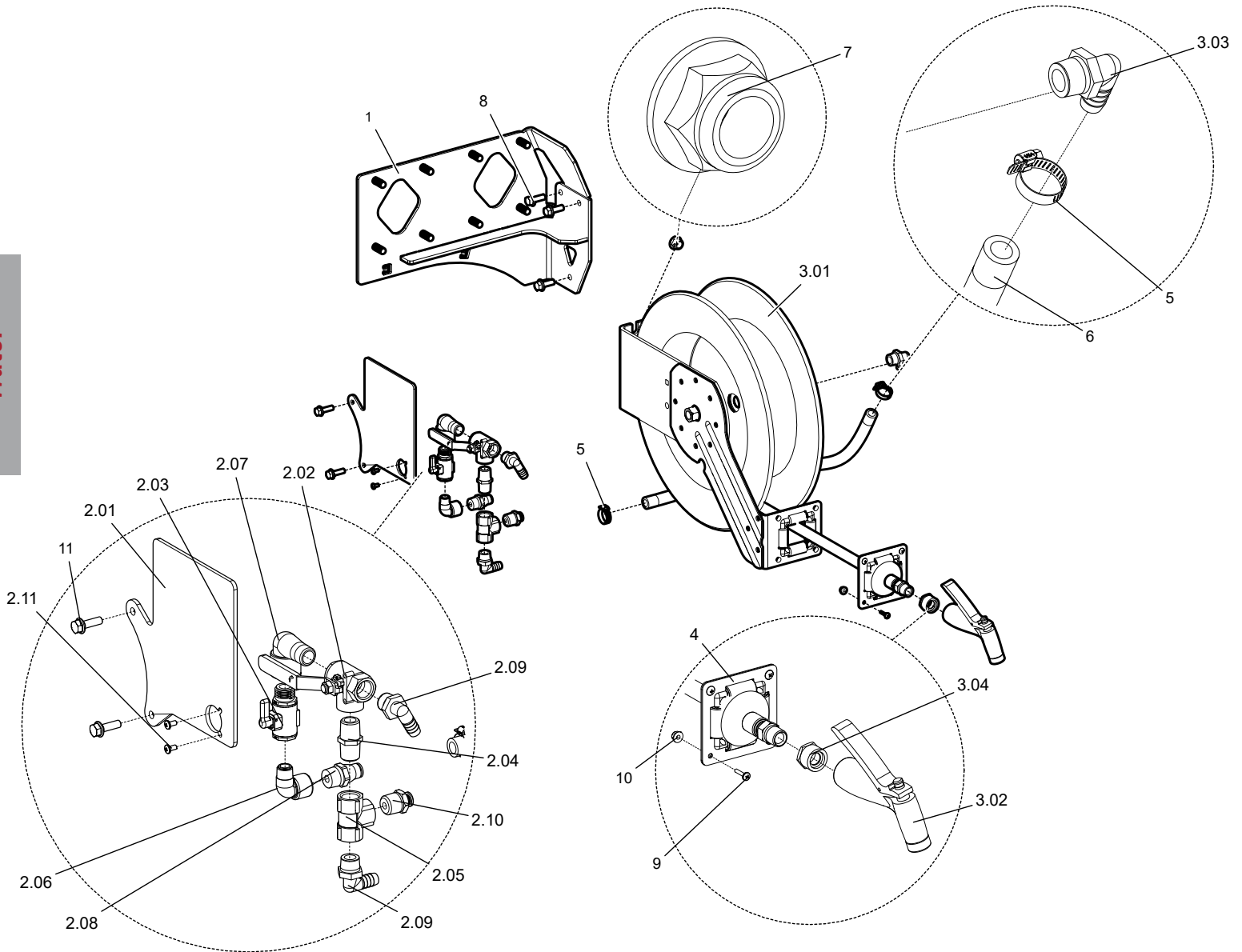
Item	Description	Part Number	Qty
2.01	PUMP MOUNT BRACKET	2603-266-01	1
2.02	FLANGE WATER PUMP	5455-007-105	1
2.03	STRAINER	5451-128-000	1
2.04	HYD CONNECTOR	5223-002-001	2
2.05	FLANGE COUPLING	5016-000-210	1
2.06	FLANGE	5016-100-001	1
2.07	MALE ADAPTER	5401-098-000	1
2.08	CHECK VALVE	5456-228-000	1
2.09	HOSE BARB	5016-200-003	1
2.10	HOSE BARB	5016-200-000	1
2.11	PUSHLOCK 90	5077-522	1
2.12	BALL VALVE	5456-101-004	1
2.13	BALL VALVE	5456-157-000	1
2.14	RIBBED FLANGE GASKET	5016-301-002	6
2.15	RIBBED FLANGE GASKET	5016-301-001	3
2.16	FLANGE CLAMP	5016-300-002	6
2.17	FLANGE CLAMP	5016-300-001	3
2.18	FLANGE COUPLING	5016-000-000	1
2.19	RIBBED FLANGE GASKET	5016-301-003	1
2.20	BOLT	5309-210-000	2
2.21	FLANGE LOCK NUT	5307-216-000	2
REPLACEMENT KITS			
Item	Description	Part Number	Qty
RK1	PUMP REPAIR KIT	5455-007-101	1
RK2	IMPELLER REPAIR KIT	5455-007-102	1



Item	Description	Part Number	Qty
1	WATER PIPE, FRONT	2603-460-00	1
2	WATER PIPE, REAR	2603-469-00	1
3.01	WATER FLOWMETER	2439-325-04	1
3.02	FLANGE FITTING	5016-100-005	2
4	FLANGE FITTING	5016-100-005	2
5	FLANGE CLAMP	5016-300-001	2
6	GASKET	5016-301-001	2
7	CLAMP BODY	5370-404-004	5
8	CLAMP PLATE	5370-404-002	5
9	CLAMP BOLT	5370-404-003	10

# Washout Hose Reel

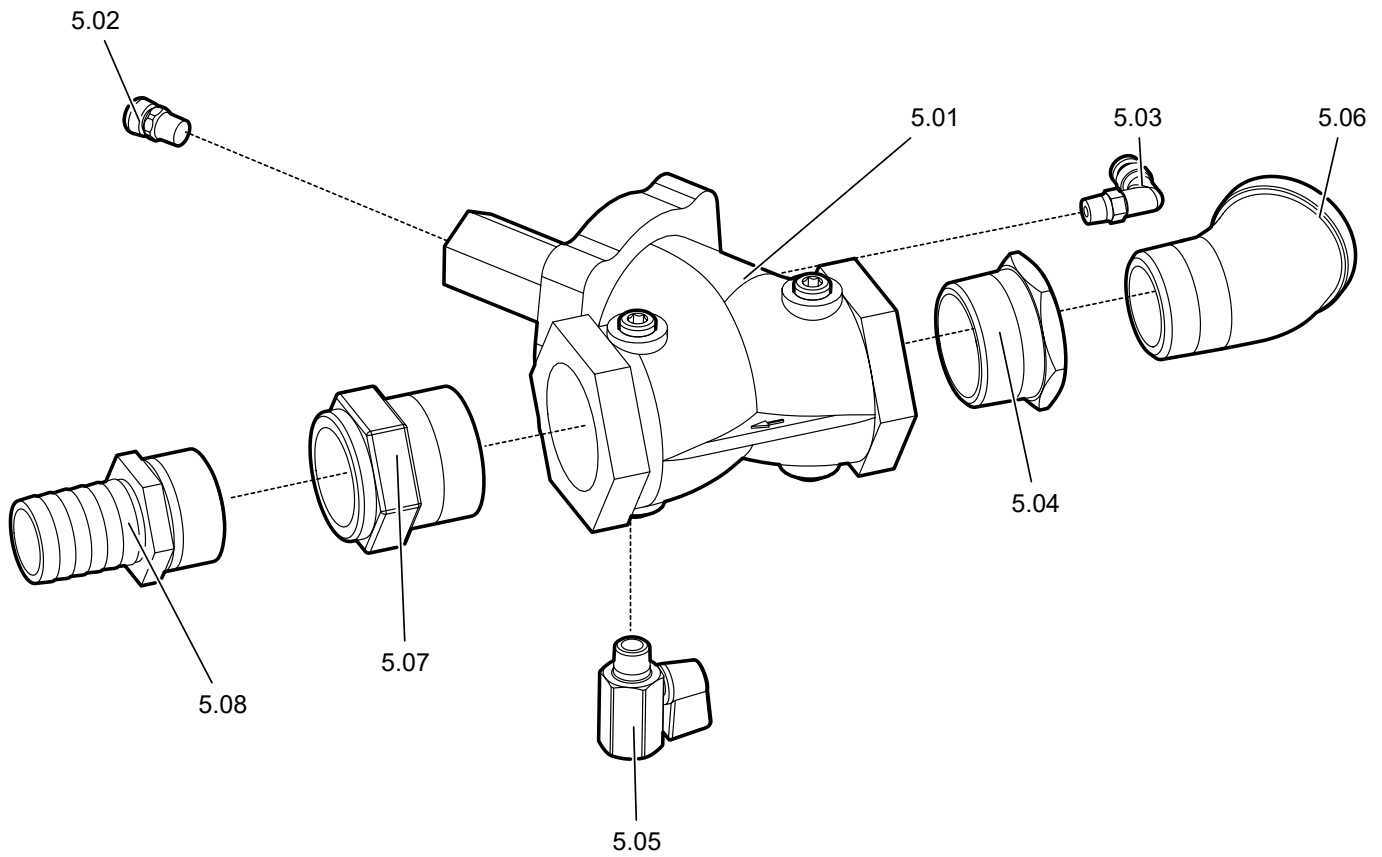
Water



Item	Description	Part Number	Qty
1	DUAL HOSE REEL MOUNT	2603-202-03	1
2.01	WASHOUT VALVE MOUNT	2603-085-05	1
2.02	BALL VALVE, 3-WAY BRASS	5456-102.30	1
2.03	BALL VALVE	5456-101-004	1
2.04	PLASTIC NIPPLE	5053-000.30	1
2.05	PLASTIC TEE	5000-130.30	1
2.06	ELBOW 90 POLY	5003-120-002	1
2.07	ELBOW 90 PLASTIC	5003-130.30	1
2.08	CHECK PUSHLOCK STR	5077-440-000	1
2.09	HOSE BARB ELBOW 90	5401-582	2
2.10	PUSHLOCK STR	5077-456-000	1
2.11	SCREW	5335-305	2
3.01	HOSE REEL	5401-094-000	1
3.02	HOT WATER NOZZLE	5450-015-000	1
3.03	HOE BARB ELBOW 90	5401-582	1
3.04	HOSE ADAPTER	5401-001-003	1
4	HOSE REEL ROLLER GUIDE	5401-095	1
5	HOSE CLAMP	5370-510	2
6	AIR HOSE	5400-081	2.11'
7	FLANGE LOCK NUT	5307-314-000	4
8	FLANGE	5309-208-000	3
9	SCREW	5335-320-002	2
10	FLANGE LOCK NUT	5307-032-100	2
11	FLANGE BOLT	5309-108-000	2

# Water Shutoff Valve

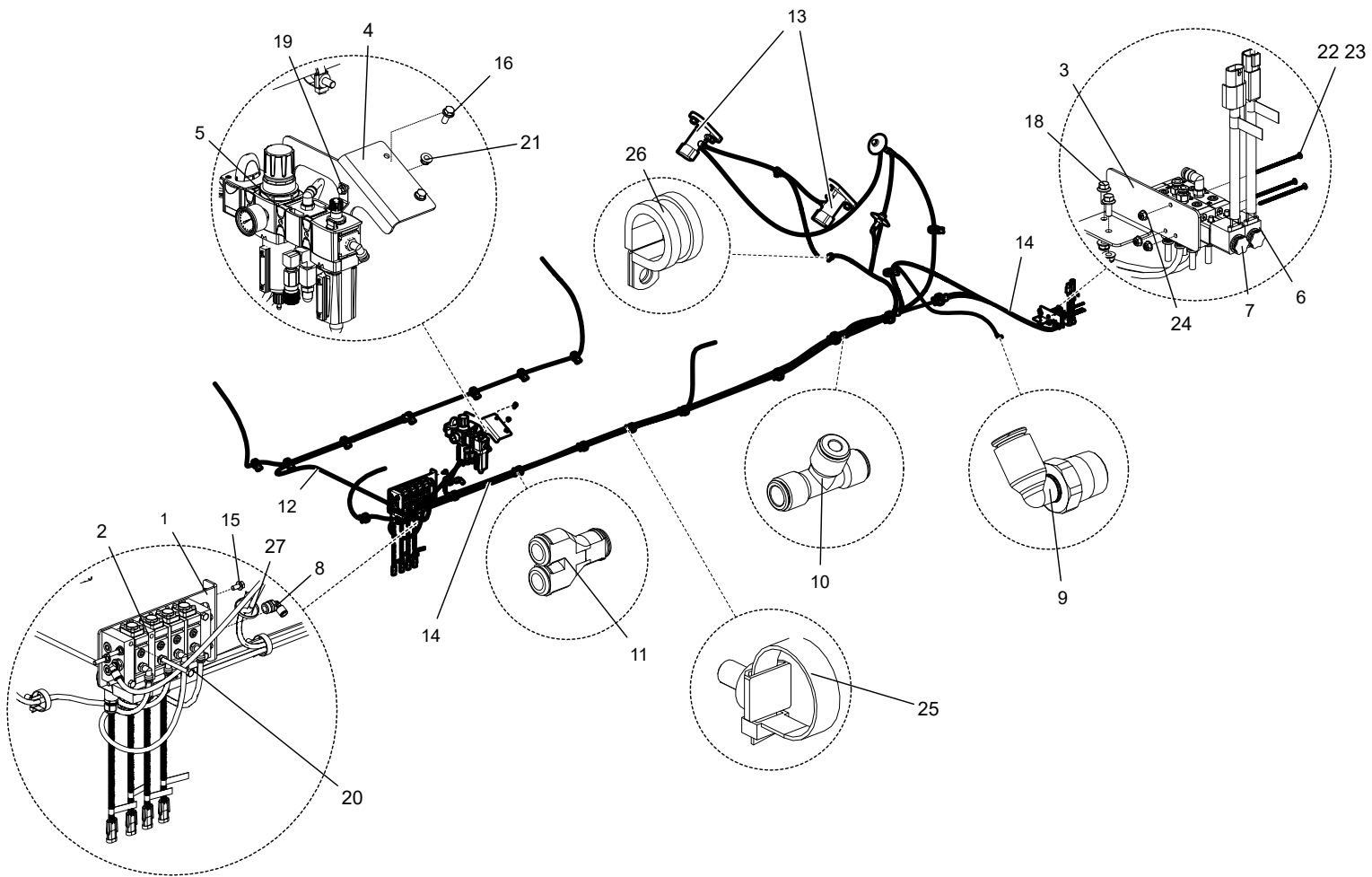
Water



<i>Item</i>	<i>Description</i>	<i>Part Number</i>	<i>Qty</i>
5.01	WATER VALVE	2581-061-01	1
5.02	BREATHER VENT	5213-222	1
5.03	PUSHLOCK 90	5077-522	1
5.04	REDUCER	5010-172.01	1
5.05	BALL VALVE	5456-158-000	1
5.06	ELBOW 45	5004-160-003	1
5.07	REDUCER	5010-172-002	1
5.08	HOSE BARB	5401-422-000	1

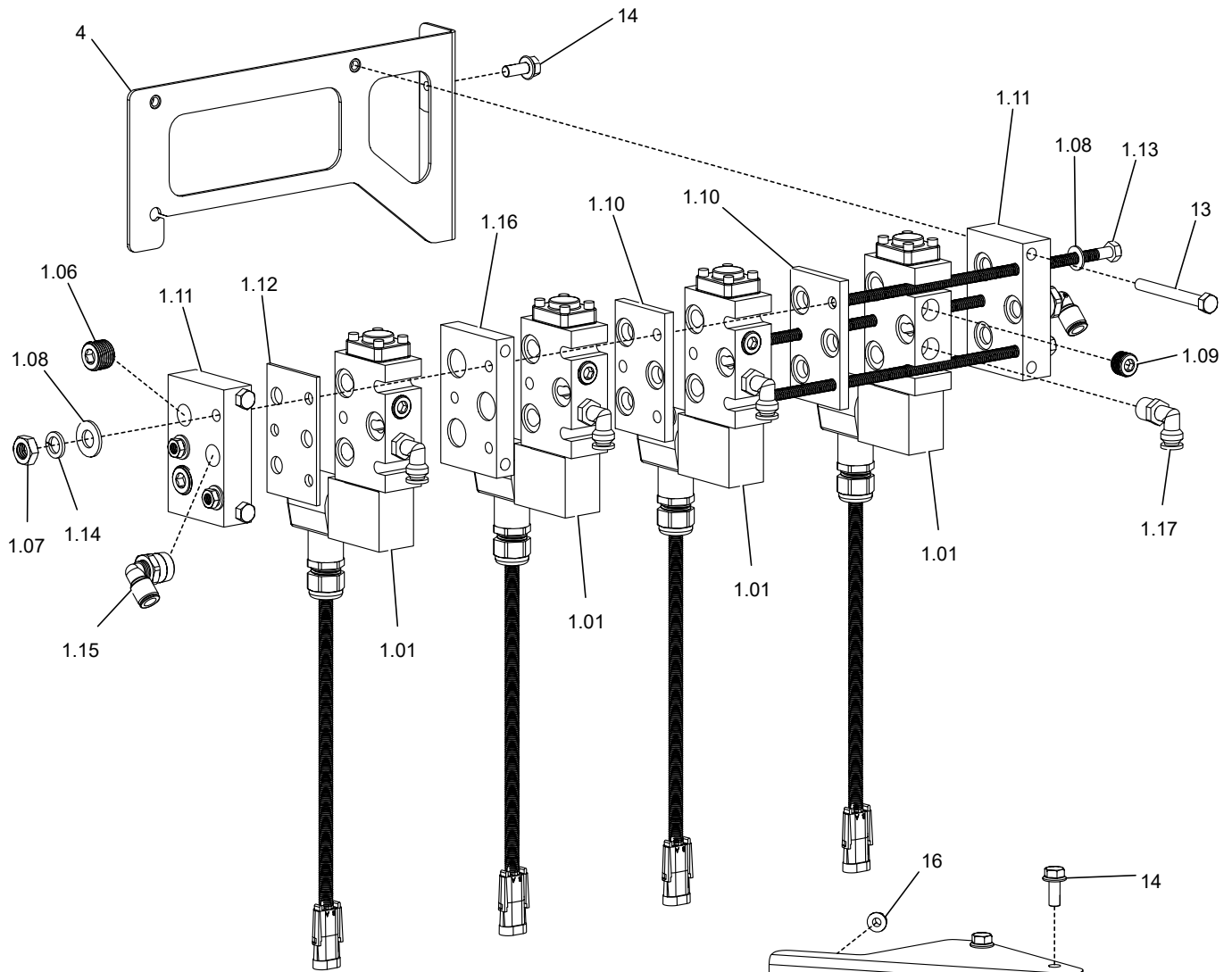
#### REPLACEMENT KITS

<i>Item</i>	<i>Description</i>	<i>Part Number</i>	<i>Qty</i>
RK1	SEAL KIT	5163-018	1



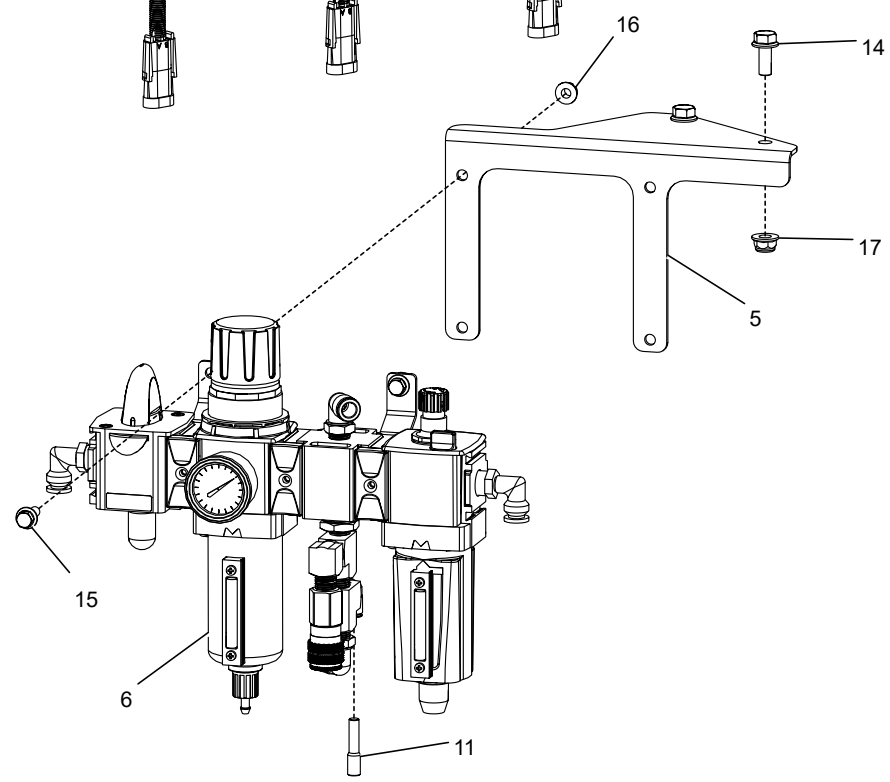
Item	Description	Part Number	Qty
1	PNEUMATIC BANK VALVE MOUNT	2581-260-00	1
2	4 VALVE BANK, 24V	2542-626-01	1
3	PNEUMATIC VALVE BRACKET	2603-077-07	1
4	AIR REGULATOR MOUNT	2603-093-03	1
5	AIR REGULATOR ASSEMBLY	2603-447-00	1
6	WATER SHUTOFF VALVE, 24V	2602-999-03	1
7	MIXER HOOK VALVE, 24V	2552-363-02	1
8	PUSHLOCK Y	5077-820-010	1
9	PUSHLOCK REDUCER TEE	5077-822-000	1
10	PUSHLOCK 90	5077-523	1
11	PUSHLOCK UNION Y	5077-820-011	2
12	AIRLINE TUBING	5075-206	77.98'
13	CEMENT BIN VIBRATORS	2603-363-00	1
14	AIRLINE TUBING	5075-204	22.44'
15	BOLT	5309-105-000	2
16	BOLT	5309-106-000	2
17	FLANGE LOCK NUT	5307-020-000	6
18	BOLT	5309-005-000	2
19	BOLT	5309-006-000	4
20	BOLT	5315-124	4
21	FLANGE LOCK NUT	5307-118-000	2
22	SCREW	5335-114-000	3
23	FLAT WASHER	5336-145-003	3
24	FLANGE LOCK NUT	5307-032-060	3
25	WIRE TIE, TREE	5532-205-000	14
26	CUSHION CLAMP	5532-518	1
27	WIRE TIE	5532-108	1

# Pneumatic Valve Bank



Pneumatic

- FLUFFER** 1.05
- SAND** 1.03
- CEMENT** 1.02
- STONE** 1.04

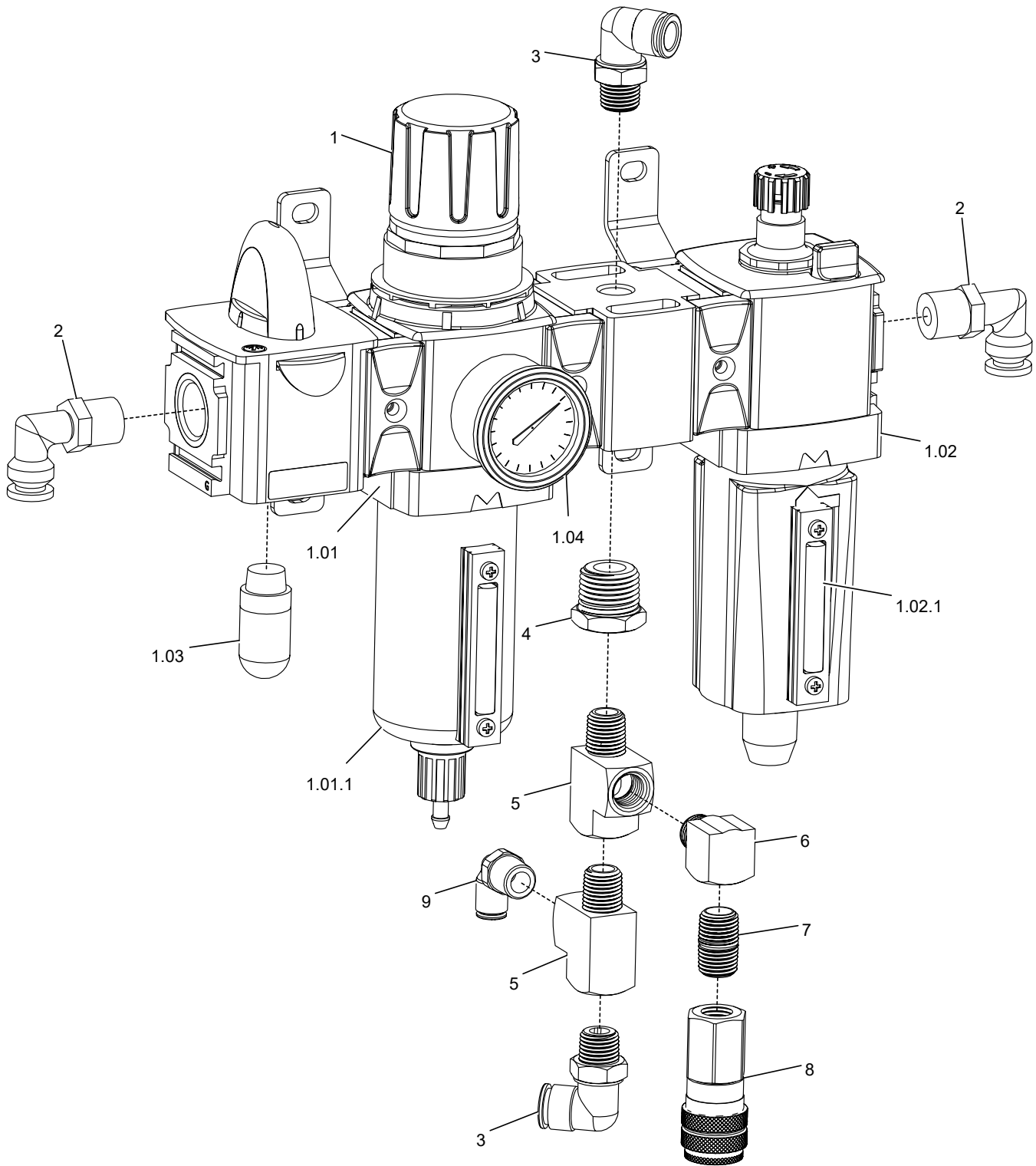


Item	Description	Part Number	Qty
1	VALVE BANK ASSY	2542-626-01	1
1.01	VALVE ASSY	2552-350-50	4
1.02	LABEL, CEMENT	2332-050-05	1
1.03	LABEL, SAND	2332-050-06	1
1.04	LABEL, STONE	2332-050-07	1
1.05	LABEL, FLUFFER	2332-050-13	1
1.06	PLUG	5005-133-001	4
1.07	NUT	5300-118	3
1.08	WASHER	5311-100	6
1.09	PLUG	5005-123-001	4
1.10	SPACER, 5/16"	5405-250-003	2
1.11	END PLATE	5405-250-002	2
1.12	SPACER, 1/8"	5405-250-005	1
1.13	BOLT	5315-143-000	3
1.14	LOCK WASHER	5305-100	3
1.15	PUSHLOCK	5077-545-000	2
1.16	SPACER, 5/8"	5405-250-004	1
1.17	PUSHLOCK	5077-544	4
2	VALVE ASSY, HOOKS	2552-363-24	1
3	VALVE ASSY, WATER	2552-337-24	1
4	MOUNT	2581-260-00	1
5	MOUNT	2581-080-01	1
6	REGULATOR ASSY	2603-447-00	1
7	MOUNT PLATE	2581-259-00	4
8	VIBRATOR		
	VIBRATOR, SILENT	5407-008-001	4
	VIBRATOR, HEAVY	5407-021	4
8.01	EXHAUST	5407-521	1
9	PUSHLOCK	5077-820-011	2
10	PUSHLOCK	5077-544-001	4
11	PUSHLOCK	5077-822-000	1
12	PLUG	5077-421-010	1
13	PUSHLOCK	5077-820-010	1
14	BOLT	5315-124	3
15	FLANGE BOLT	5309-106-000	4
16	FLANGE BOLT	5309-006-000	4
17	FLANGE LOCK NUT	5307-020-000	4
18	FLANGE LOCK NUT	5307-118-000	2
19	SCREW	5335-220-025	2
20	WASHER	5336-145-002	4
21	LOCK NUT	5337-101-003	2
22	LOCK NUT	5302-612	8
23	WASHER	5310-601-000	8
24	WIRE TIE	5532-108	19
25	WIRE TIE, TREE	5532-205-000	2
26	TUBING, 3/8"	5075-206	84.0'
27	TUBING, 1/4"	5075-204	6.5'
28	UNIT AIR SAFETY VALVE	5405-411	1

Continued on next page

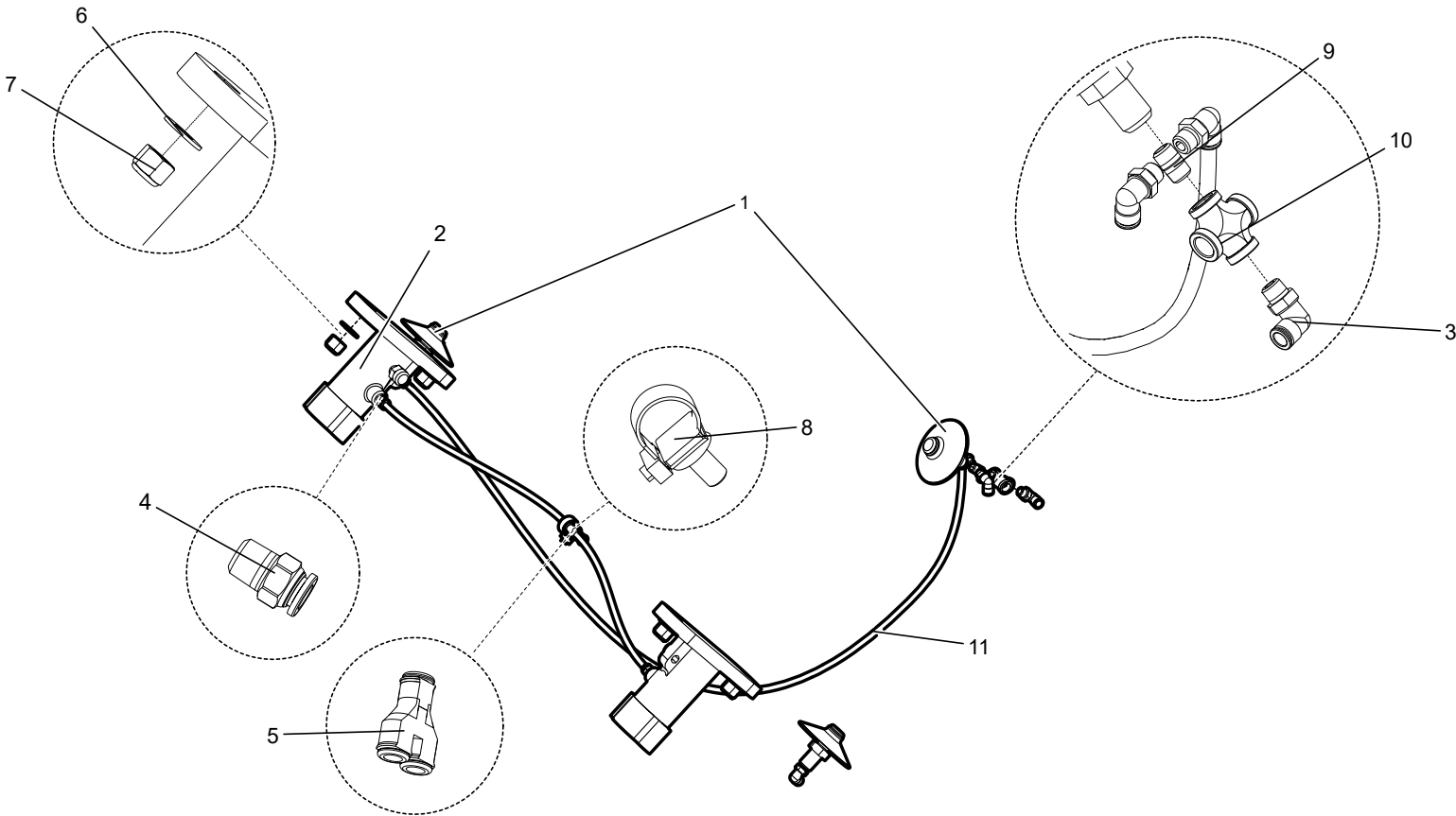
# Air Regulator

Pneumatic



<i>Item</i>	<i>Description</i>	<i>Part Number</i>	<i>Qty</i>
1	REGULATOR ASSY	5402-300-000	1
1.01	WATER FILTER SECTION	5402-300-004	1
1.01.1	WATER CUP	5402-300-005	1
1.02	OILER SECTION	5402-300-006	1
1.02.1	OIL CUP	5402-300-003	1
1.03	MUFFLER	5407-024-104	1
1.04	GAGE	5404-106-000	1
2	PUSHLOCK	5077-544	2
3	PUSHLOCK	5077-544-001	2
4	REDUCER	5010-133-001	1
5	TEE	5000-110-101	2
6	ELBOW	5003-110-001	1
7	NIPPLE	5051-000-200	1
8	COUPLER	5401-004	1
9	PUSHLOCK	5077-523	1

# Cement Bin Vibrators & Aerators



Pneumatic

<i>Item</i>	<i>Description</i>	<i>Part Number</i>	<i>Qty</i>
1	PNEUMATIC BIN AERATOR	5403-202-000	3
2	VIBRATOR	5407-008-001	2
3	PUSHLOCK 90	5077-544-001	5
4	PUSHLOCK STR	5079-444	2
5	PUSHLOCK UNION Y	5077-820-011	1
6	FLAT WASHER	5310-601-000	4
7	LOCK NUT	5302-612	4
8	WIRE TIE, TREE	5532-205-000	1
9	NIPPLE, BRASS	5051-000-200	1
10	CROSS, GALVANIZED	5009-110.10	1
11	AIRLINE TUBE	5075-206	11.52'



# Hydraulic System: Hydraulic Cement Bin

Item	Description	Part Number	Qty
1	HYDRAULIC TUBES <sup>1</sup>	2603-351-04	1
2	OIL COOLER <sup>2</sup>	2603-352-04	1
3	RETURN MANIFOLD <sup>3</sup>	2603-398-01	1
4	HYDRAULIC TANK <sup>4</sup>	2603-377-03	1
5	WHS VALVE <sup>5</sup>	2603-381-01	1
6	MIXER VALVE <sup>6</sup>	2603-382-01	1
7	CONVEYOR VALVE <sup>7</sup>	2603-345-04	1
8	WIRELOOM, HYDRAULIC EXT	2552-523-65	1
9	CLAMP BOLT	5370-406-003	12
10	COVER PLATE	5370-406-002	6
11	CLAMP BODY	5370-406-004	2
12	CLAMP BODY	5370-406-001	2
13	CLAMP BODY	5370-406-005	2
14	CLAMP BODY	5370-403-004	1
15	COVER PLATE	5370-403-002	1
16	CLAMP BODY	5370-405-005	1
17	COVER PLATE	5370-405-002	1
18	HYDRAULIC UNION	5223-068-002	2
19	REDUCER	5223-042-002	1
20	HYDRAULIC CAP	5224-FF304-C-08	1
21	HYDRAULIC HOSE	2603-530-02	1
22	HYDRAULIC HOSE	2603-531-02	1
23	HYDRAULIC HOSE	2603-532-02	1
24	HYDRAULIC HOSE	2603-533-02	1
25	HYDRAULIC HOSE	2603-534-02	1
26	HYDRAULIC HOSE	2603-535-02	1
27	BOLT	5309-012-000	3
28	WIRE TIE, TREE	5532-205-000	6

<sup>1</sup> see Hydraulic Tubes page 122 for components

<sup>2</sup> see Oil Cooler on page 124 for components

<sup>3</sup> see Return Manifold on page 126 for components

<sup>4</sup> see Hydraulic Tank on page 128 for components

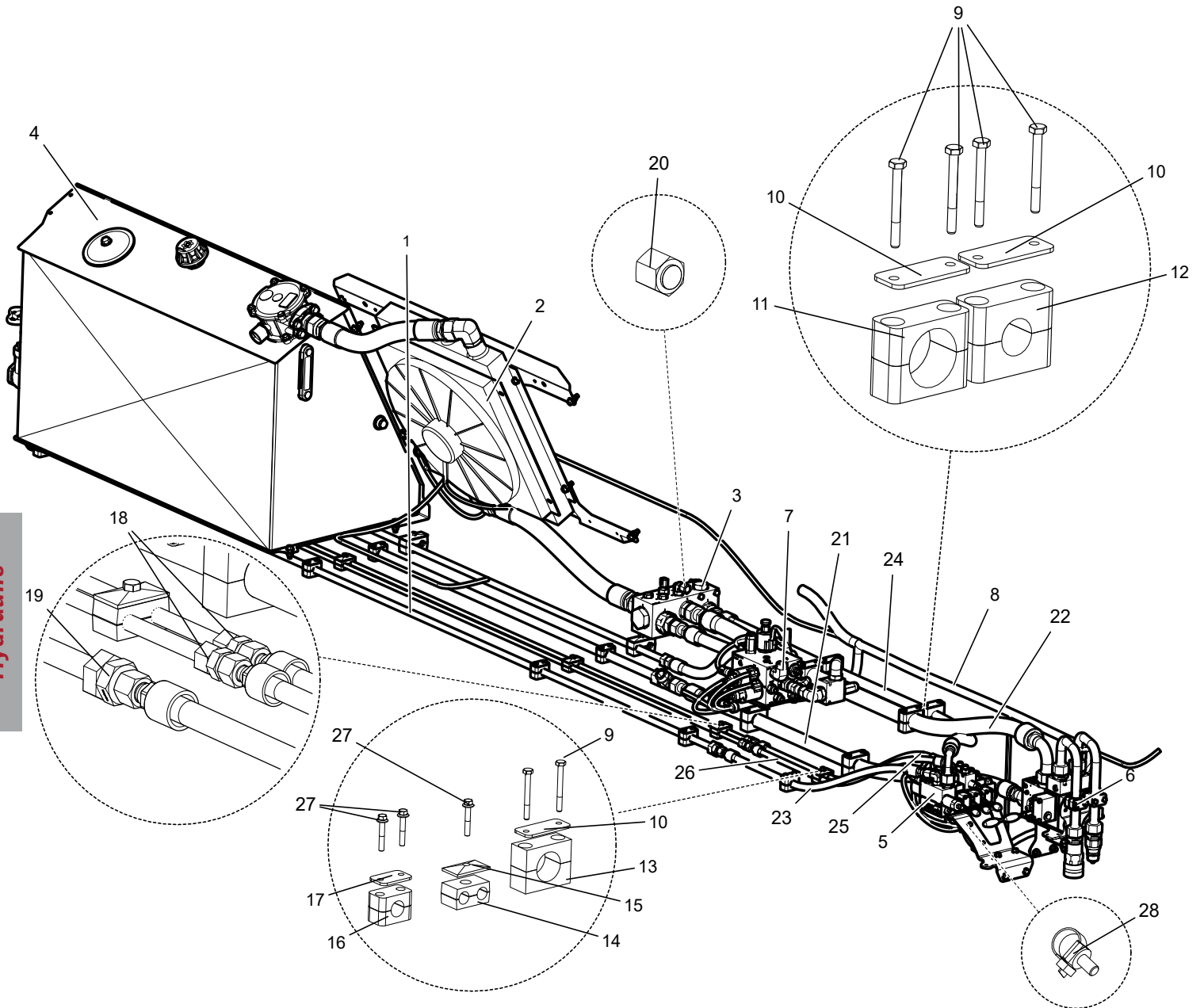
<sup>5</sup> see Water/Hoist/Swivel Valve on page 130 for components

<sup>6</sup> see Mixer Valve on page 132 for components

<sup>7</sup> see Conveyor Valve on page 134 for components

# Hydraulic System: Mechanical Cement Bin

Hydraulic



# Hydraulic System: Mechanical Cement Bin

Item	Description	Part Number	Qty
1	HYDRAULIC TUBES <sup>1</sup>	2603-351-04	1
2	OIL COOLER <sup>2</sup>	2603-352-04	1
3	RETURN MANIFOLD <sup>3</sup>	2603-398-01	1
4	HYDRAULIC TANK <sup>4</sup>	2603-377-03	1
5	WHS VALVE <sup>5</sup>	2603-381-01	1
6	MIXER VALVE <sup>6</sup>	2603-382-01	1
7	CONVEYOR VALVE <sup>7</sup>	2603-383-01	1
8	WIRELOOM, HYDRAULIC EXT	2552-523-65	1
9	CLAMP BOLT	5370-406-003	12
10	COVER PLATE	5370-406-002	6
11	CLAMP BODY	5370-406-004	2
12	CLAMP BODY	5370-406-001	2
13	CLAMP BODY	5370-406-005	2
14	CLAMP BODY	5370-403-004	1
15	COVER PLATE	5370-403-002	1
16	CLAMP BODY	5370-405-005	1
17	COVER PLATE	5370-405-002	1
18	HYDRAULIC UNION	5223-068-002	2
19	REDUCER	5223-042-002	1
20	HYDRAULIC CAP	5224-FF304-C-08	1
21	HYDRAULIC HOSE	2603-530-02	1
22	HYDRAULIC HOSE	2603-531-02	1
23	HYDRAULIC HOSE	2603-532-02	1
24	HYDRAULIC HOSE	2603-533-02	1
25	HYDRAULIC HOSE	2603-534-02	1
26	HYDRAULIC HOSE	2603-535-02	1
27	BOLT	5309-012-000	3
28	WIRE TIE, TREE	5532-205-000	6

<sup>1</sup> see Hydraulic Tubes page 122 for components

<sup>2</sup> see Oil Cooler on page 124 for components

<sup>3</sup> see Return Manifold on page 126 for components

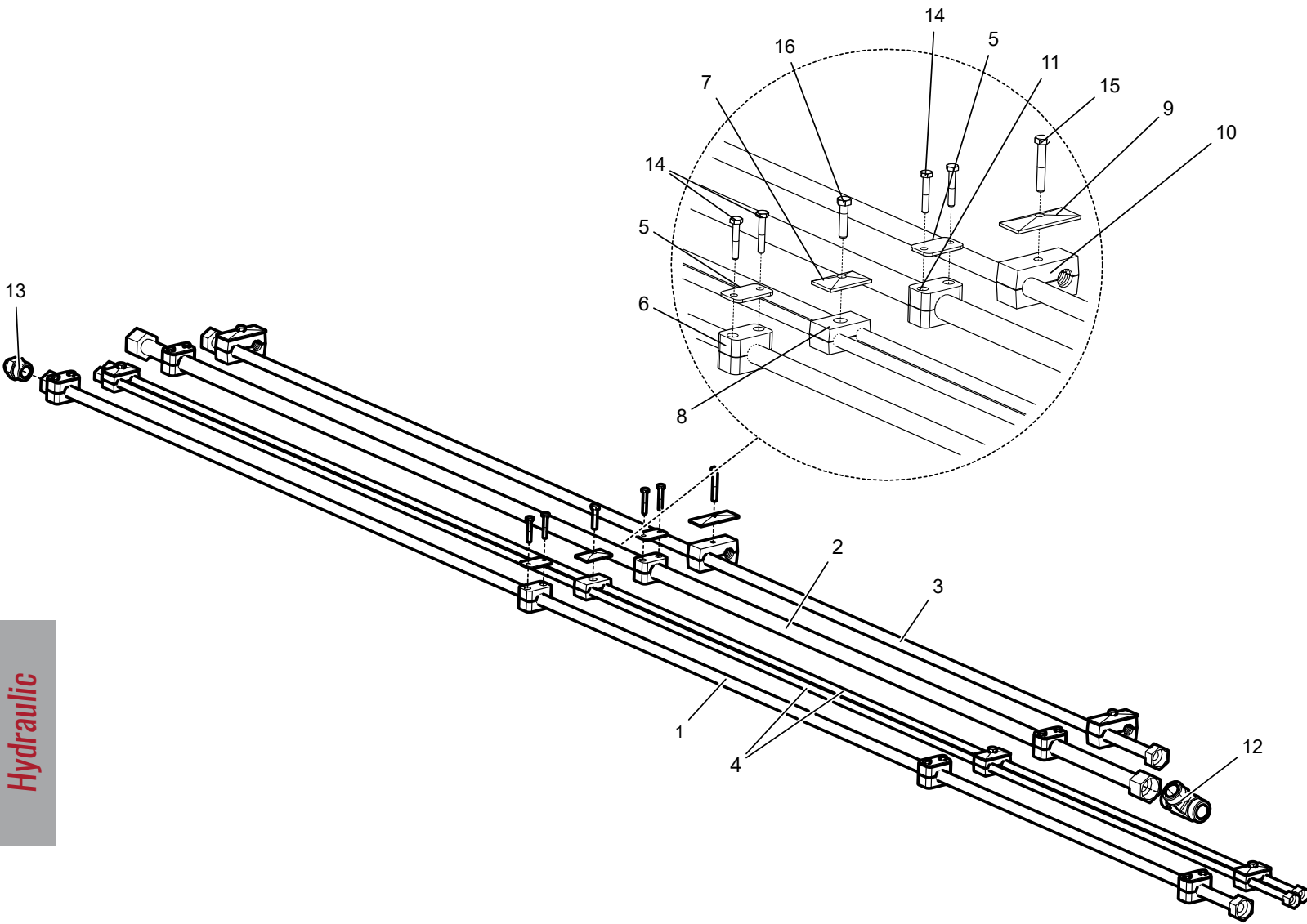
<sup>4</sup> see Hydraulic Tank on page 128 for components

<sup>5</sup> see Water/Hoist/Swivel Valve on page 130 for components

<sup>6</sup> see Mixer Valve on page 132 for components

<sup>7</sup> see Conveyor Valve on page 136 for components

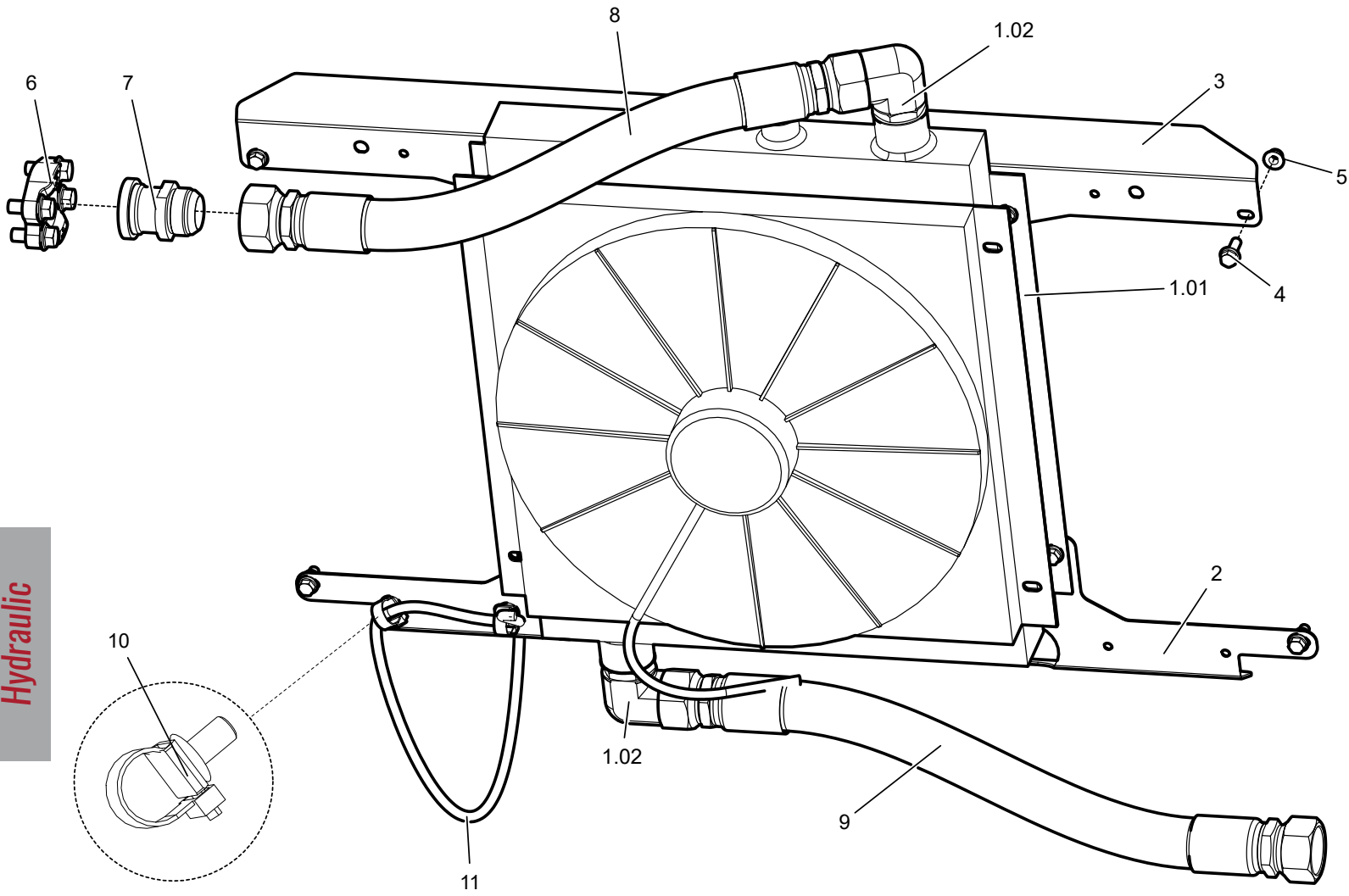
# Hydraulic Tubes



Hydraulic

Item	Description	Part Number	Qty
1	HYDRAULIC TUBE ASSY	5221-025-000	1
2	HYDRAULIC TUBE ASSY	5221-017-000	1
3	HYDRAULIC TUBE ASSY	5221-026-000	1
4	HYDRAULIC TUBE ASSY	5221-027-000	2
5	COVER PLATE	5370-405-002	7
6	CLAMP BODY	5370-405-004	4
7	COVER PLATE	5370-403-002	4
8	CLAMP BODY	5370-403-001	4
9	COVER PLATE	5370-428.05	3
10	CLAMP BODY	5370-428.008	3
11	CLAMP BODY	5370-405-001	3
12	TEE	5223-011-002	1
13	REDUCER	5223-042-002	1
14	CLAMP BOLT	5370-405-003	14
15	CLAMP BOLT	5370-428.07	3
16	CLAMP BOLT	5370-403-003	4

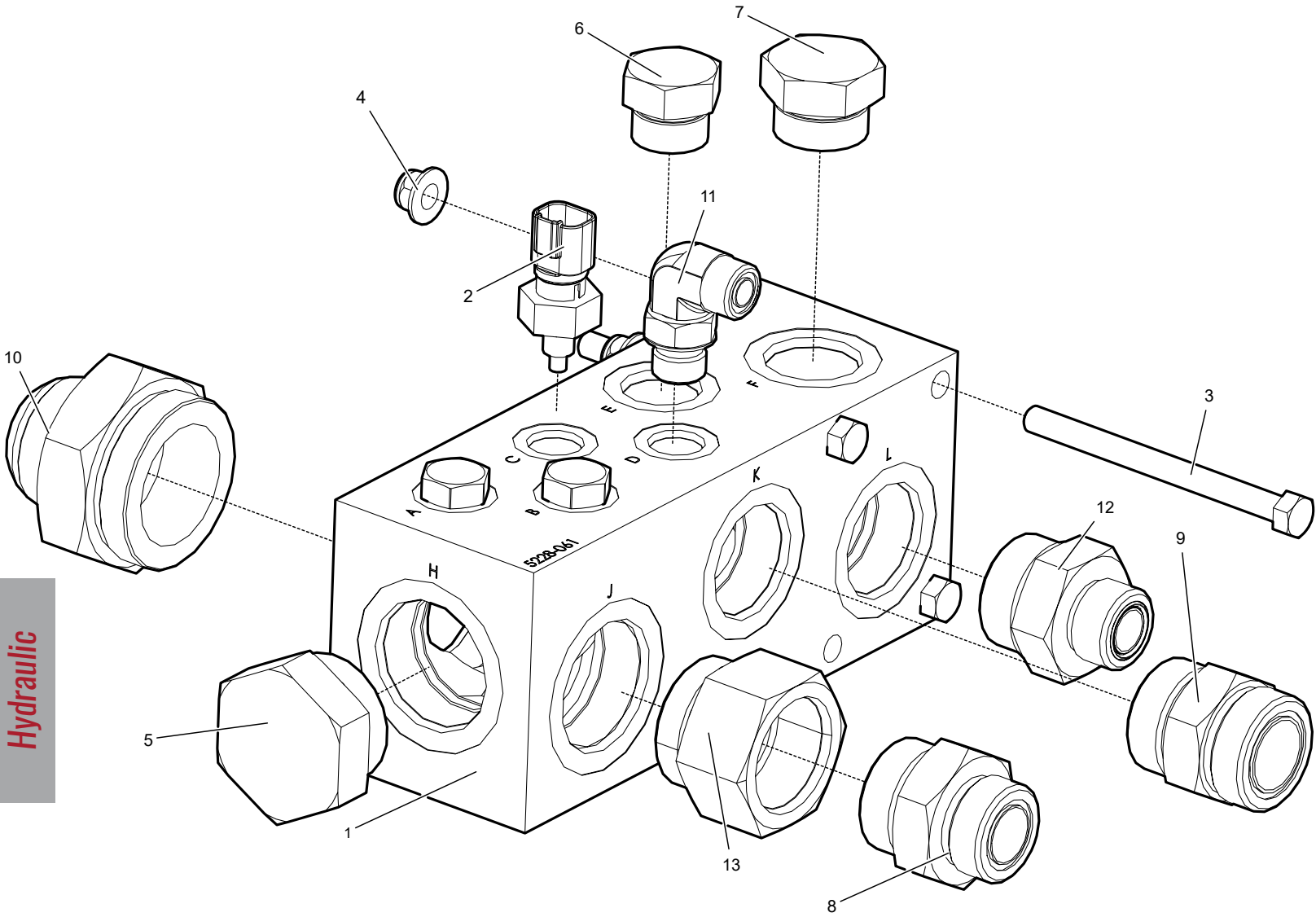
# Oil Cooler



Hydraulic

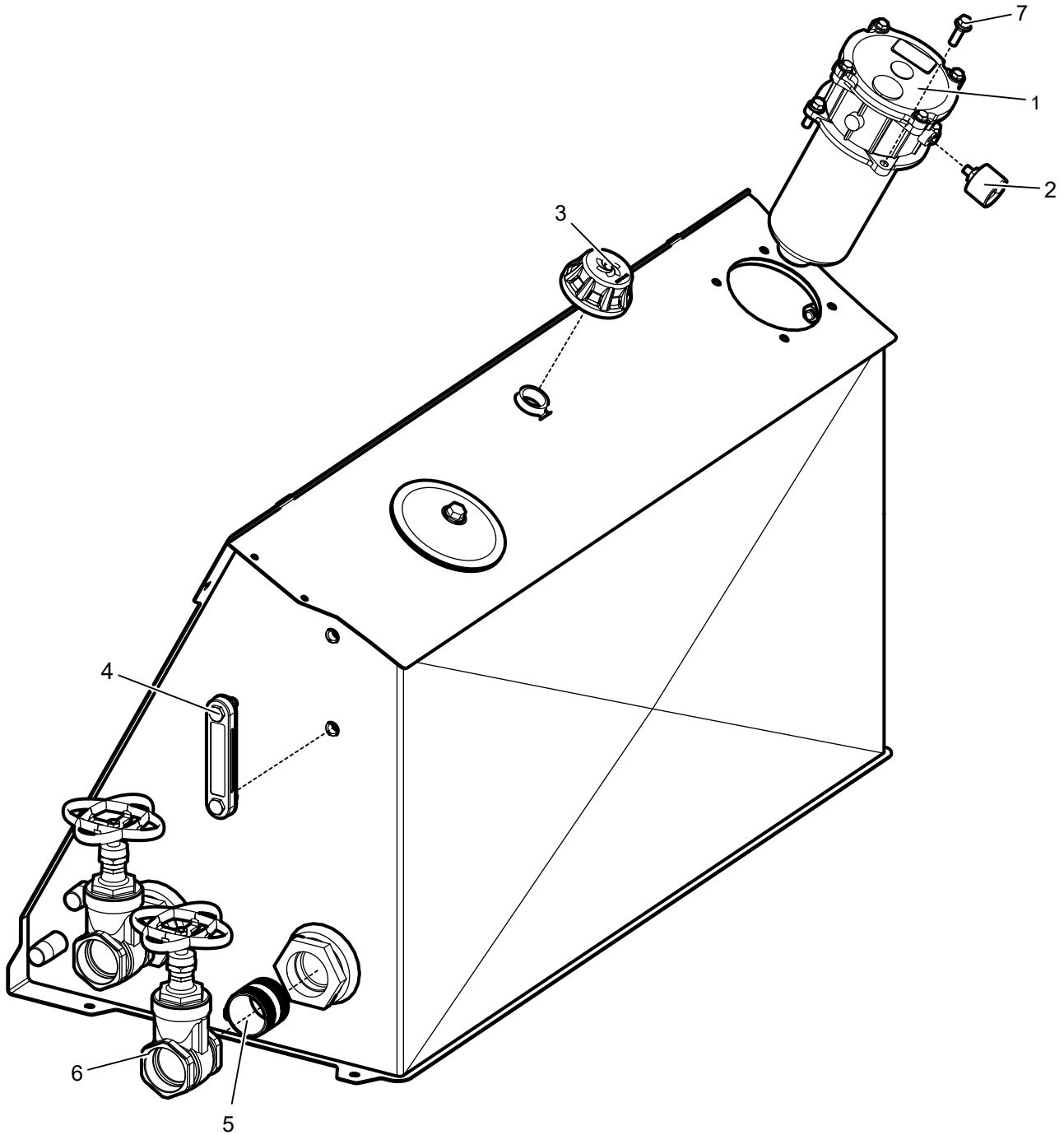
Item	Description	Part Number	Qty
1.01	OIL COOLER, 24V	5237-251-007	1
1.02	HYDRAULIC ELBOW	5524-6801-24-20	2
2	OIL COOLER LOWER BRACKET	2603-038-10	1
3	OIL COOLER UPPER BRACKET	2603-037-10	1
4	BOLT	5309-208-000	8
5	FLANGE LOCK NUT	5307-216-000	8
6	FLANGE FITTING	5223-092-000	1
7	HYDRAULIC CONNECTOR	5223-008-003	1
8	HYDRAULIC HOSE	2603-548-00	1
9	HYDRAULIC HOSE	2603-549-00	1
10	WIRE TIE, TREE	5532-205-000	2
11	WIRELoom OIL COOLER EXTENSION	2552-519-00	1

# Return Manifold



Hydraulic

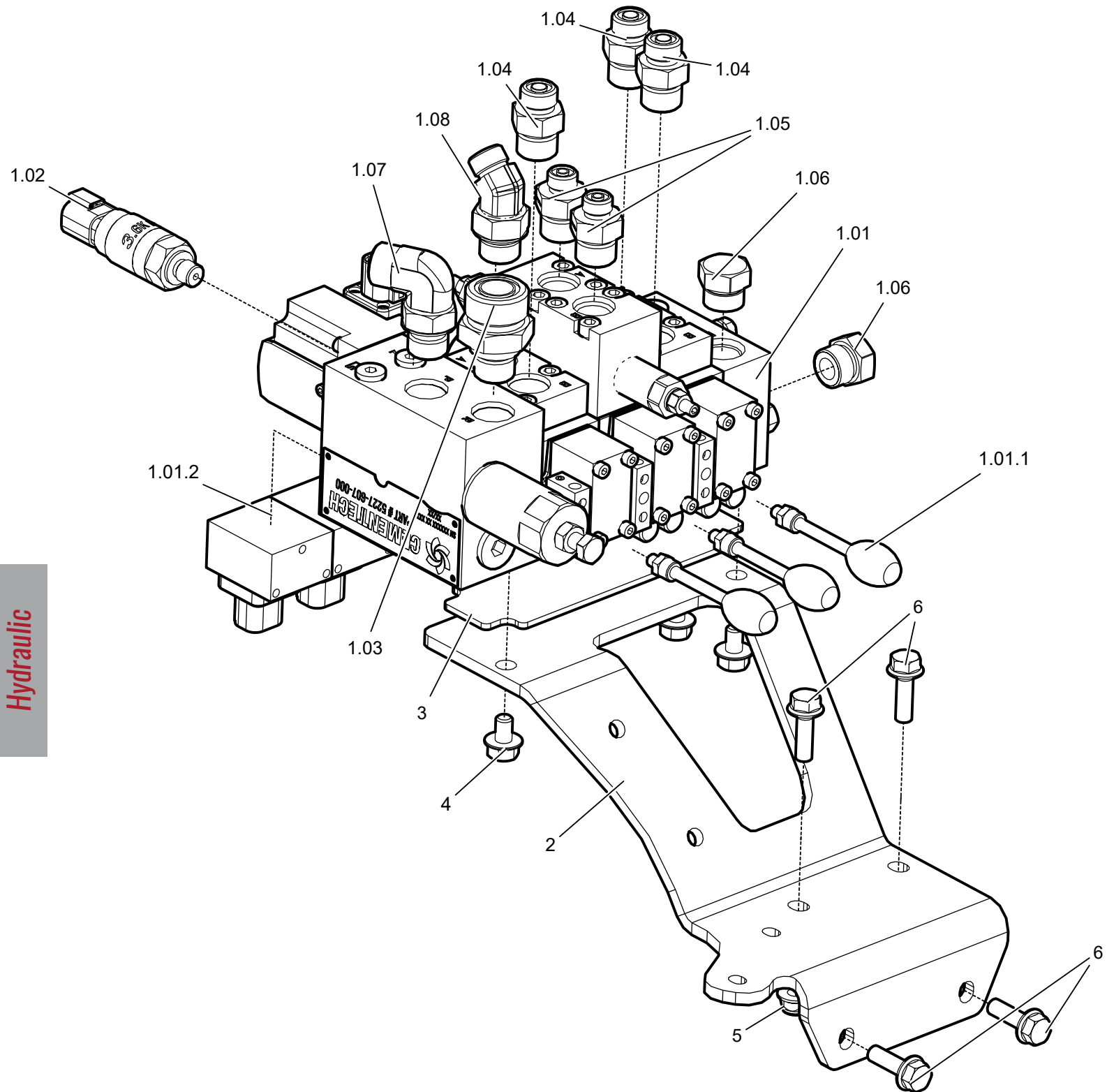
Item	Description	Part Number	Qty
1	HYDRAULIC RETURN MANIFOLD	5228-061	1
2	RATIOMETRIC SENSOR	5524-115-010	1
3	BOLT	5315-236	3
4	FLANGE LOCK NUT	5307-216-000	3
5	PLUG	5224-6408-24	1
6	PLUG	5224-6408-12	1
7	PLUG	5224-6408-16	1
8	HYDRAULIC CONNECTOR	5223-071-001	1
9	HYDRAULIC CONNECTOR	5223-072-001	1
10	HYDRAULIC CONNECTOR	5524-6400-24-32	1
11	HYDRAULIC ELBOW	5223-020-001	1
12	HYDRAULIC CONNECTOR	5223-022-002	1
13	HYDRAULIC CONNECTOR	5223-025-003	1



Item	Description	Part Number	Qty
1	SINGLE RETURN FILTER	5229-227-000	1
2	GAUGE FILTER INDICATOR DIAL	5231-001.01	1
3	CAP VENT	5257-044-000	1
4	GAGE PLASTIC LEVEL	5231-007-002	2
5	NIPPLE	5058-000-001	2
6	GATE VALVE	5456-307	2
7	BOLT	5309-210-000	4
8	HYD TANK 70 GALLON	2603-207-03	1

REPLACEMENT KITS			
Item	Description	Part Number	QTY
RK1	RETURN FILTER CARTRIDGE	5229-227-001	1
RK2	RETURN FILTER NBR SEAL KIT	5229-227-002	1

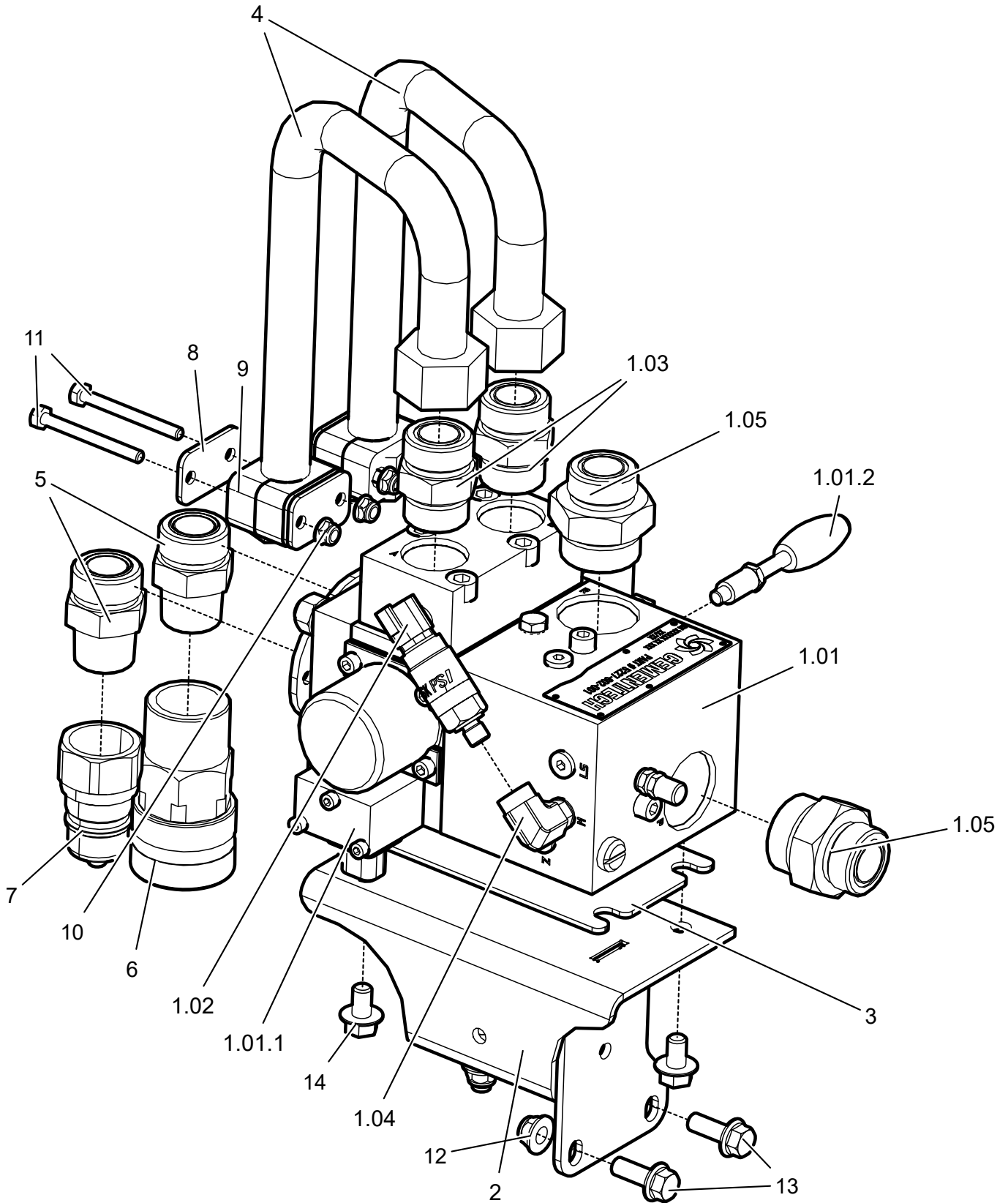
# Water/Hoist/Swivel Valve



Hydraulic

Item	Description	Part Number	Qty
1.01	WATER HOIST SWIVEL VALVE, 24V	5227-592-008	1
1.01.1	VALVE HANDLE	5227-592-003	3
1.01.2	VALVE COIL	5227-246-005	2
1.02	XDCR HYDRAULIC	5524-500-062	1
1.03	HYDRAULIC CONNECTOR	5223-050-000	1
1.04	HYDRAULIC CONNECTOR	5223-002-001	3
1.05	HYDRAULIC CONNECTOR	5223-004-001	2
1.06	PLUG	5224-6408-08	2
1.07	HYDRAULIC ELBOW	5223-020-001	1
1.08	HYDRAULIC ELBOW	5223-011-003	1
2	VALVE MOUNT	2603-078-07	1
3	SPACER	2603-079-07	1
4	BOLT	5342-008-012	3
5	FLANGE LOCK NUT	5307-118-000	4
6	BOLT	5309-108-000	4

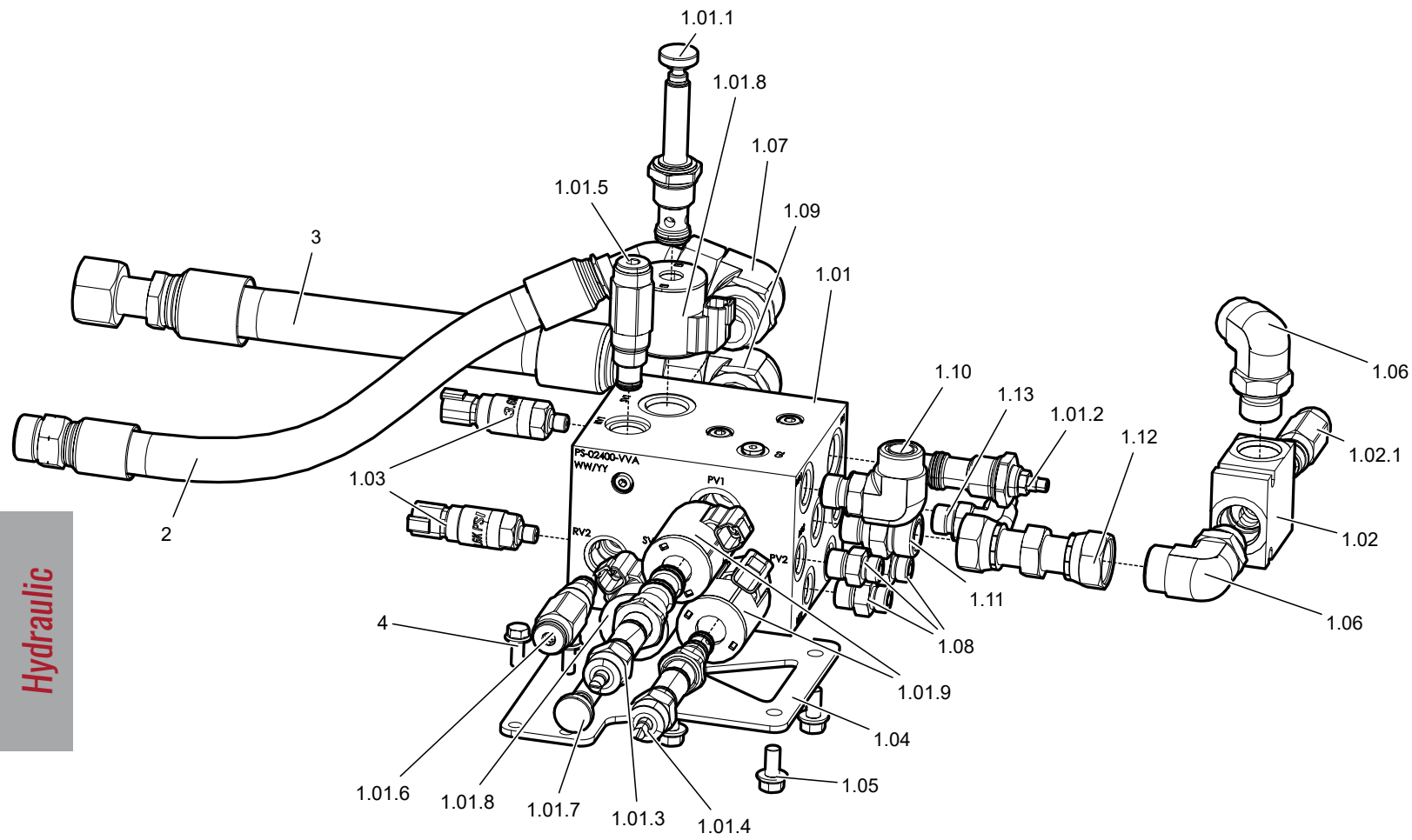
# Mixer Valve



Hydraulic

Item	Description	Part Number	Qty
1.01	MIXER VALVE, 24V	5227-602-001	1
1.01.1	COIL	5227-246-005	1
1.01.2	VALVE HANDLE	5227-602-006	1
1.02	XDCR HYDRAULIC	5524-500-062	1
1.03	HYDRAULIC CONNECTOR	5223-053-000	2
1.04	HYDRAULIC ELBOW	5223-007-003	1
1.05	HYDRAULIC CONNECTOR	5223-071-001	2
2	VALVE MOUNT	2603-289-01	1
3	SPACER	2603-075-07	1
4	HYDRAULIC TUBE	5221-040-000	2
5	HYDRAULIC CONNECTOR	5223-015-001	2
6	QUICK COUPLER	5226-016-000	1
7	QUICK COUPLER	5226-01601	1
8	COVER PLATE	5370-405-002	4
9	CLAMP BODY	5370-405-001	2
10	FLANGE LOCK NUT	5370-020-000	4
11	BOLT	5315-020	2
12	FLANGE LOCK NUT	5307-216-000	3
13	BOLT	5309-208-000	3
14	BOLT	5342-010-016	3
15	BOLT	5309-016-000	2

# Conveyor Valve: Hydraulic Cement Bin

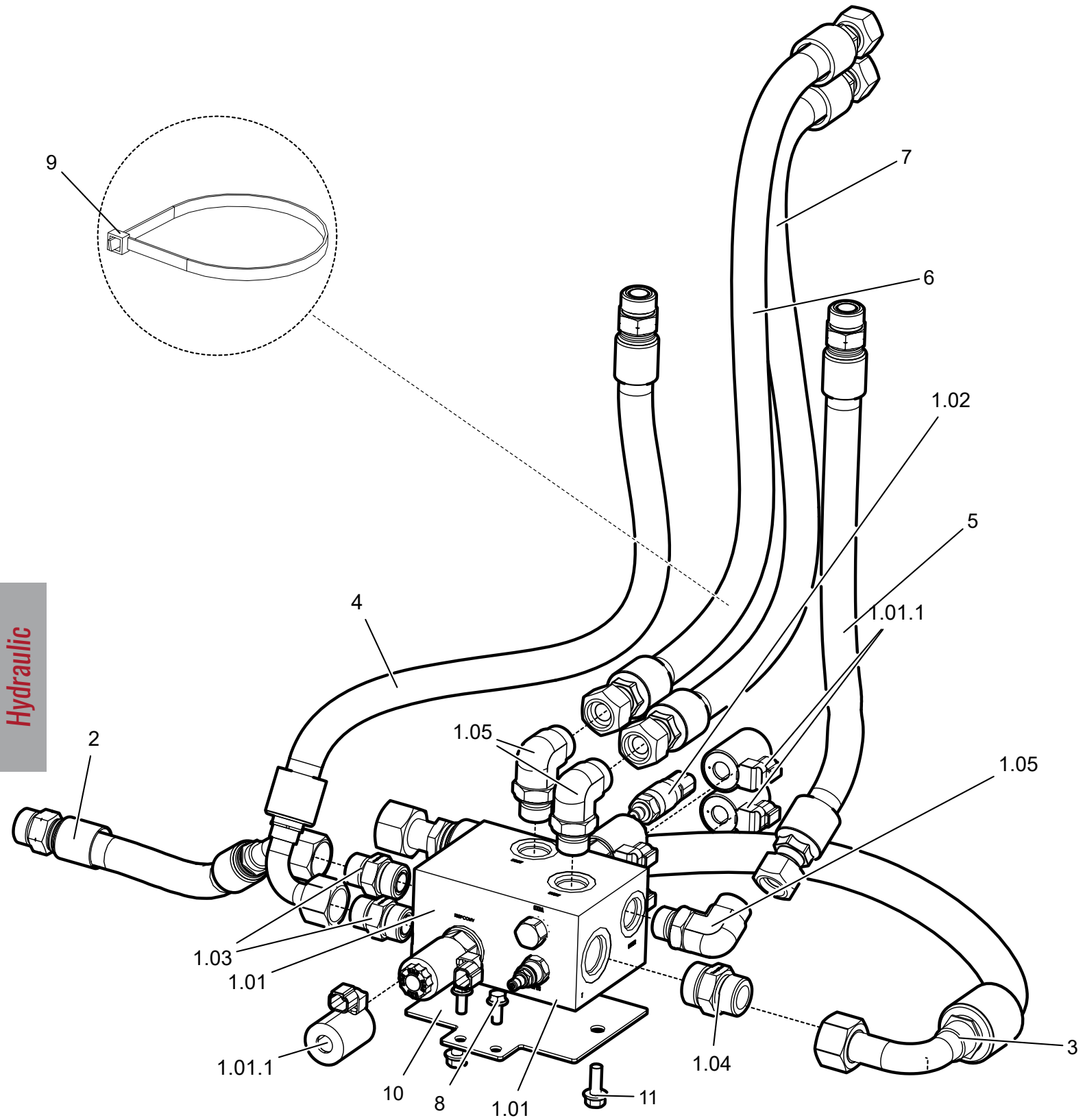


Hydraulic

# Conveyor Valve: Hydraulic Cement Bin

Item	Description	Part Number	Qty
1.01	CONVEYOR VALVE, 24V	5227-586-001	1
1.01.1	CARTRIDGE 30GPM	5227-060-000	1
1.01.2	CARTRIDGE 4.5GPM	5228-067-001	1
1.01.3	CARTRIDGE 15GPM	5227-049-002	1
1.01.4	VALVE 4.5GPM	5227-046-002	1
1.01.5	CARTRIDGE RELIEF 20GPM	5227-050-001	1
1.01.6	CARTRIDGE RELIEF 20GPM	5227-050-002	1
1.01.7	CARTRIDGE 18GPM	5227-045-002	1
1.01.8	COIL, 24V	5227-234-001	2
1.01.9	COIL, 24V	5227-235-001	2
1.02	RELIEF VALVE 30GPM	5227-050-003	1
1.03	XDCR HYDRAULIC	5524-500-062	2
1.04	VALVE MOUNT	2603-077-12	1
1.05	BOLT	5309-206-000	3
1.06	HYDRAULIC ELBOW	5223-055-000	2
1.07	HYDRAULIC ELBOW	5223-036-001	1
1.08	HYDRAULIC CONNECTOR	5223-002-001	3
1.09	HYDRAULIC ELBOW	5223-055-001	1
1.10	HYDRAULIC ELBOW	5223-005-000	1
1.11	HYDRAULIC CONNECTOR	5223-005-001	1
1.12	HYDRAULIC UNION	5223-064-002	1
1.13	HYDRAULIC ELBOW	5223-002-000	1
2	HYDRAULIC HOSE	2603-543-02	1
3	HYDRAULIC HOSE	2603-544-02	1
4	BOLT	5309-106-000	4

# Conveyor Valve: Mechanical Cement Bin



Hydraulic

## Conveyor Valve: Mechanical Cement Bin

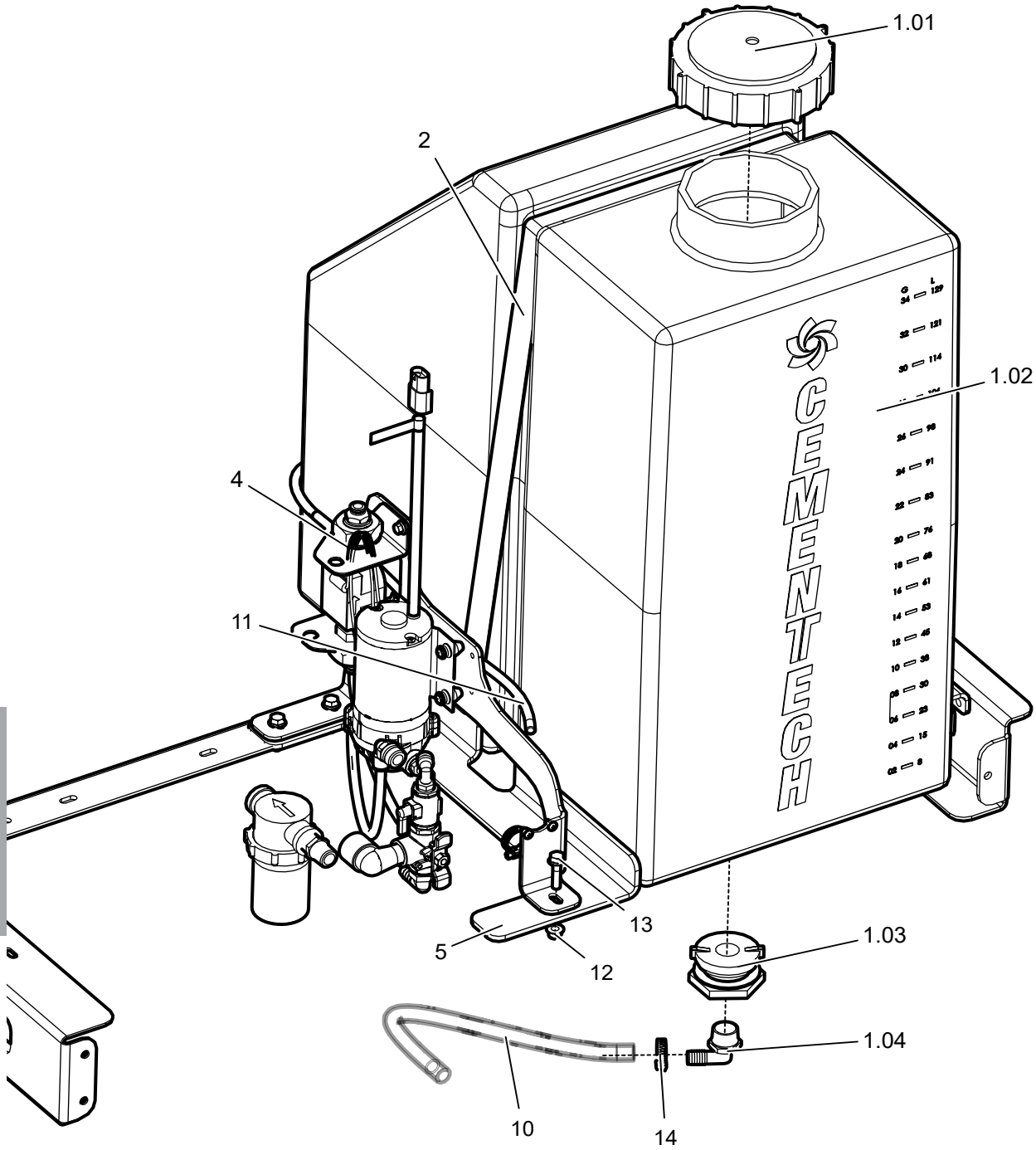
Item	Description	Part Number	Qty
1.01	CONVEYOR VALVE, 24V	5227-591-001	1
1.01.1	COIL, 24V	5227-236-001	3
1.02	XDCR HYDRAULIC	5524-500-062	1
1.03	HYDRAULIC CONNECTOR	5223-051-000	2
1.04	HYDRAULIC CONNECTOR	5223-053-000	1
1.05	HYDRAULIC ELBOW	5223-055-000	3
2	HYDRAULIC HOSE	2603-577-00	1
3	HYDRAULIC HOSE	2603-578-00	1
4	HYDRAULIC HOSE	2603-579-00	1
5	HYDRAULIC HOSE	2603-580-00	1
6	HYDRAULIC HOSE	2603-581-00	1
7	HYDRAULIC HOSE	2603-582-00	1
8	BOLT	5309-106-000	4
9	WIRE TIE	5532-115	1
10	VALVE BRACKET	2603-097-06	1
11	BOLT	5309-208-000	2



Item	Description	Part Number	Qty
1	TOP PANEL MOUNT	2603-248-01	3
2	FRONT COVER MOUNT	2603-294-02	1
3	TOP COVER BRACKET MOUNT	2603-297-02	1
4	HYD TANK MOUNTING BRACKET	2603-080-10	1
5	TOP COVER, OIL COOLER	2603-269-02	1
6	REAR COVER, REAR QUARTER	2603-201-04	1
7	TOP COVER, REAR	2603-268-03	1
8	TOP COVER, GATE WALL	2603-085-10	1
9	SIDE COVER, FRONT/MID	2603-242-01	1
10	SIDE COVER, FRONT/MID	2603-242-01	1
11	SIDE COVER, HYD TANK/WATER PIPE	2603-048-05	1
12	SIDE COVER, REAR	2603-473-00	1
12.01	REAR QUARTER COVER	2603-244-01	1
12.02	SNAP-IN PULL HANDLE	5370-032-000	6
12.03	ACCESS DOORS	2603-475-00	2
12.03.1	ACCESS DOOR COVER	2603-058-05	2
12.03.2	LATCH	5370-033-000	2
12.03.3	NYLON HINGE	5141-015-000	4
12.03.4	SCREW	5335-212-002	12
12.03.5	LOCK NUT	5337-101-001	12
12.04	HINGE SPACER	2542-051-10	2
12.05	SCREW	5335-212-002	6
12.06	LOCK NUT	5337-101-001	6
12.07	RIVET NUT	5300-020-202	2
13	FLANGE LOCK NUT	5307-118-000	9
14	BOLT	5307-020-000	21
15	BOLT	5309-004-000	11
16	EDGE TRIM	5309-005-000	1
17	EDGE TRIM	2603-099-11	1
18	EDGE TRIM	2603-001-12	1
19	EDGE TRIM	2603-061-12	1
20	CUP HOLDER	2603-062-12	1
21	SCREW	5335-204	2

# Admixture Tank Assembly

Admixture



Item	Description	Part Number	Qty
1.01	ADMIX TANK CAP	5457-904	1
1.02	ADMIX TANK, 132L	5457-135-001	1
1.03	TANK BULKHEAD	5457-912A	1
1.04	PUSHLOCK 90	5401-583	1
2	RATCHET STRAP	5380-001-00	1
4	LOW FLOW ADMIX PUMP, 24V	2603-482-02	1
5	REAR BAY ADMIX MOUNT	2603-036-12	1
7	WIRE TIE	5532-106	2
8	WIRE TIE	5532-108	2
10	VINYL TUBE	5075-808	1.34'
11	AIRLINE TUBING	5075-206	29.71'
12	FLANGE LOCK NUT	5307-118-000	5
13	BOLT	5309-110-000	5
14	HOSE CLAMP	5370-510	2

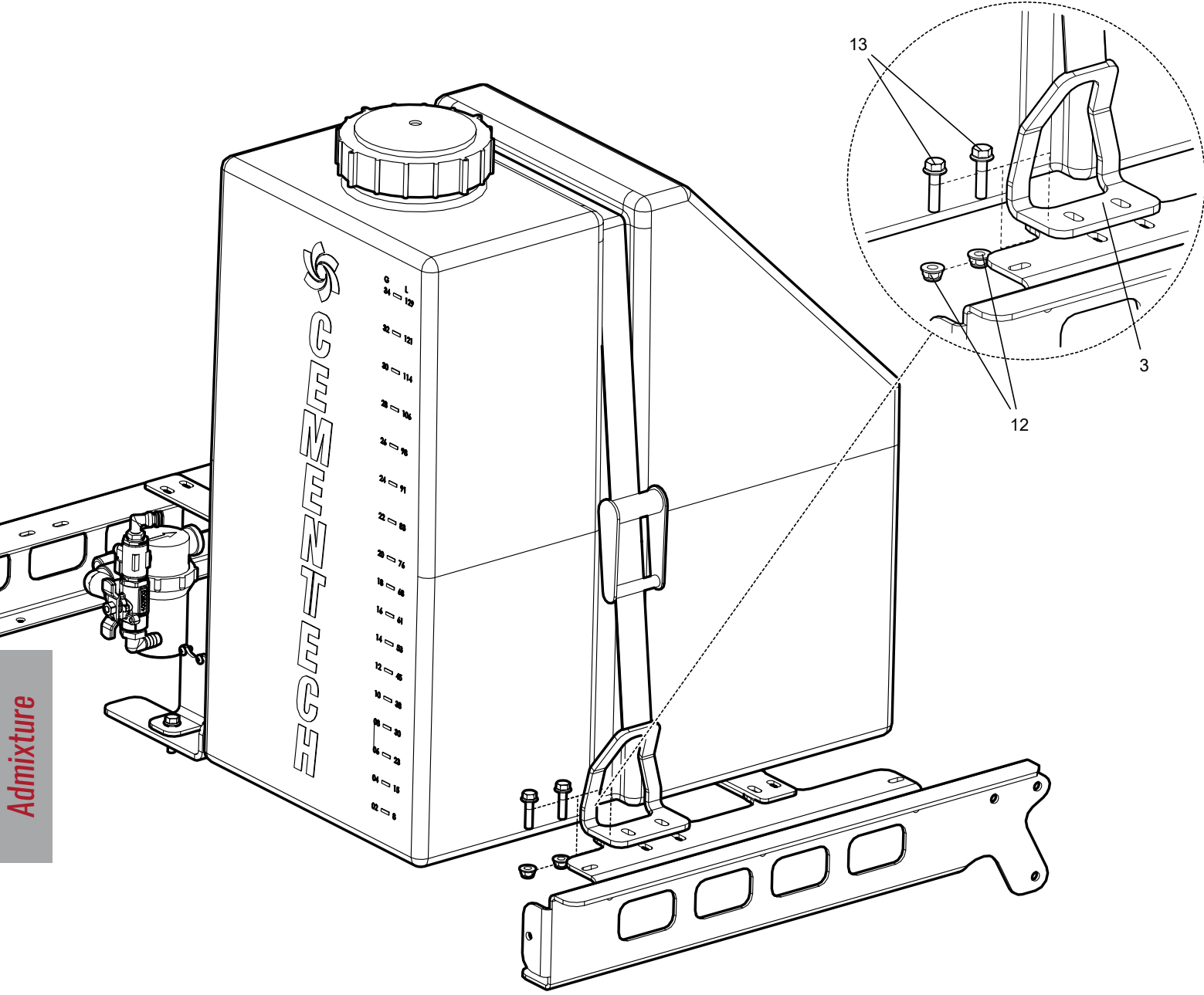
<sup>1</sup> included in RK1

<sup>2</sup> see Low Flow Admix Pump on page 144 for components

Replacement Kits			
Item	Description	Part Number	Qty
RK1	132 LITRE TANK, CAP, & FITTINGS	2603-462-02	1

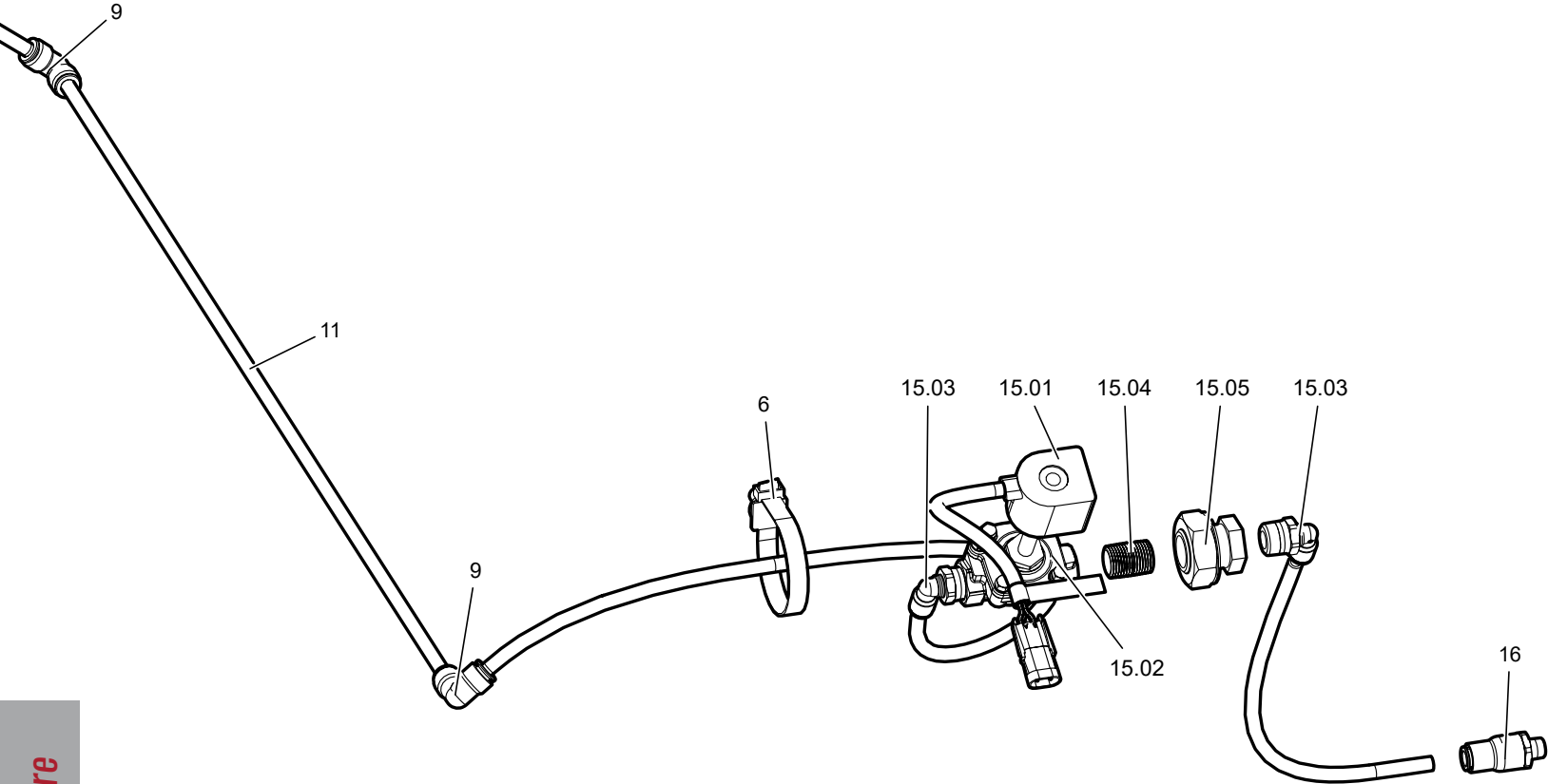
# Admixture Tank Assembly

Admixture



<i>Item</i>	<i>Description</i>	<i>Part Number</i>	<i>Qty</i>
3	STRAP BRACKET	2603-054-06	1
12	FLANGE LOCK NUT	5307-118-000	5
13	BOLT	5309-110-000	5

# Admixture Discharge Valve



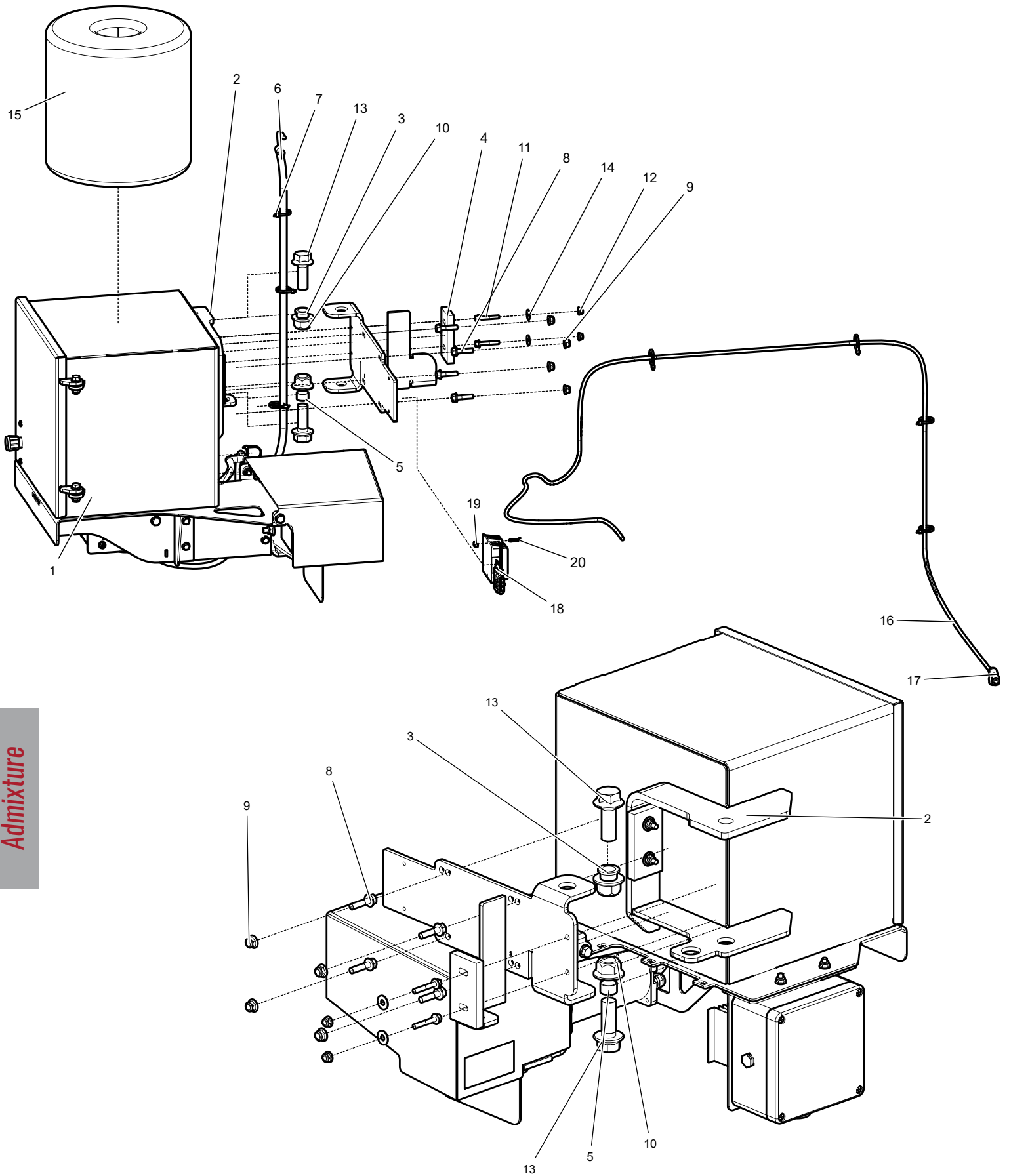
Admixture

Item	Description	Part Number	Qty
6	WIRE TIE, TREE	5532-205-000	3
9	PUSHLOCK UNION	5077-620-000	2
11	AIRLINE TUBING	5075-206	29.71'
15.01	SHUTOFF COIL, 24V	2552-302-01	1
15.02	ELECTRIC VALVE BODY	5405-200-007	1
15.03	PUSHLOCK 90	5077-545-000	2
15.04	NIPPLE, BRASS	5053-000.20	1
15.05	BULKHEAD FITTING	5457-940-003	1
16	PUSHLOCK CHECK VALVE	5077-440-001	1



Item	Description	Part Number	Qty
1	ADMIX PUMP BRACKET	2603-080-07	1
2.01	3-WAY BALL VALVE	5456-102-005	1
2.02	ADMIX STRAINER	5451-208	1
2.03	HOSE BARB, 90	5401-582	1
2.04	ELBOW 90, PLASTIC	5003-130.30	1
2.05	NIPPLE, PLASTIC	5053-000.30	1
2.06	BALL VALVE	5456-101-004	1
2.07	PUSHLOCK, 90	5077-544	1
3.01	ELECTRIC PUMP, 24V	2439-302-77	1
3.02	PUSHLOCK, 90	5077-544	2
4	PUSHLOCK, 90	5077-545-000	1
5	SCREW	5335-305	2
6	FLAT WASHER	5336-145	8
7	LOCK NUT	5337-33201	4
8	SCREW	5335-332-001	4
9.01	FLOWMETER	5453-037-250	1
9.02	HEX REDUCER, BRASS	5010-133-001	2
9.03	BULKHEAD, BRASS	5457-940-003	2
9.04	PUSHLOCK, STR	5077-456-000	2
9.05	ADMIX FLOWMETER BRACKET	2603-087-08	2
10	BOLT	5309-006-000	2
11	FLANGE LOCK NUT	5307-020-000	21
12	AIRLINE TUBING	5075-206	1.94'

# Fiber Chopper System

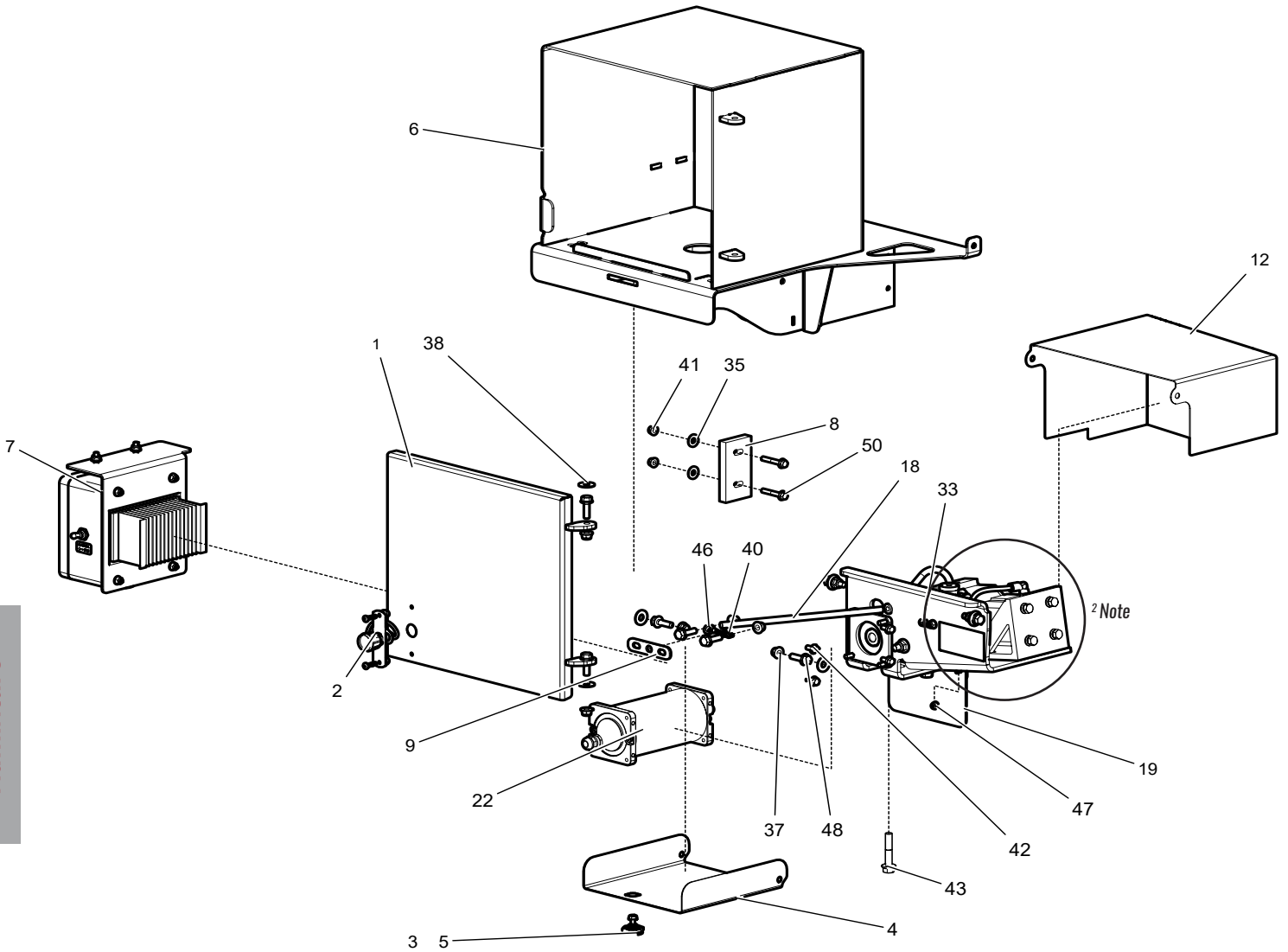


Admixture

Item	Description	Part Number	Qty
1	FIBER CHOPPER ASSY	2542-114-01	1
2	FIBER CHOPPER BOX MOUNT	2542-205-04	1
3	BUSHING	5153-119	1
4	RUBBER STOPPER	2542-082-06	1
5	BUSHING	5153-121	1
6	12V WIRELOOM	2552-549-15	1
7	WIRE TIE	5532-106	10
8	BOLT	5309-110-000	4
9	FLANGE LOCK NUT	5307-118-000	4
10	FLANGE LOCK NUT	5307-710-002	2
11	BOLT	5309-012-000	2
12	FLANGE LOCK NUT	5307-020-000	2
13	BOLT	5309-716-005	2
14	FLAT WASHER	5310-000	2
15	SPOOL	5415-001-000	1
16	PUSHLOCK	5077-820-010	1
17	AIRLINE TUBING	5075-204	88.125"
18	24V TO 12V DC CONVERTER	2552-349-04	1
19	FLANGE LOCK NUT	5307-032-080	2
20	SCREW	5335-206	2

Install Kit			
IK1	FIBER CHOPPER	2581-364-01	1

# Fiber Chopper Assembly



Admixture

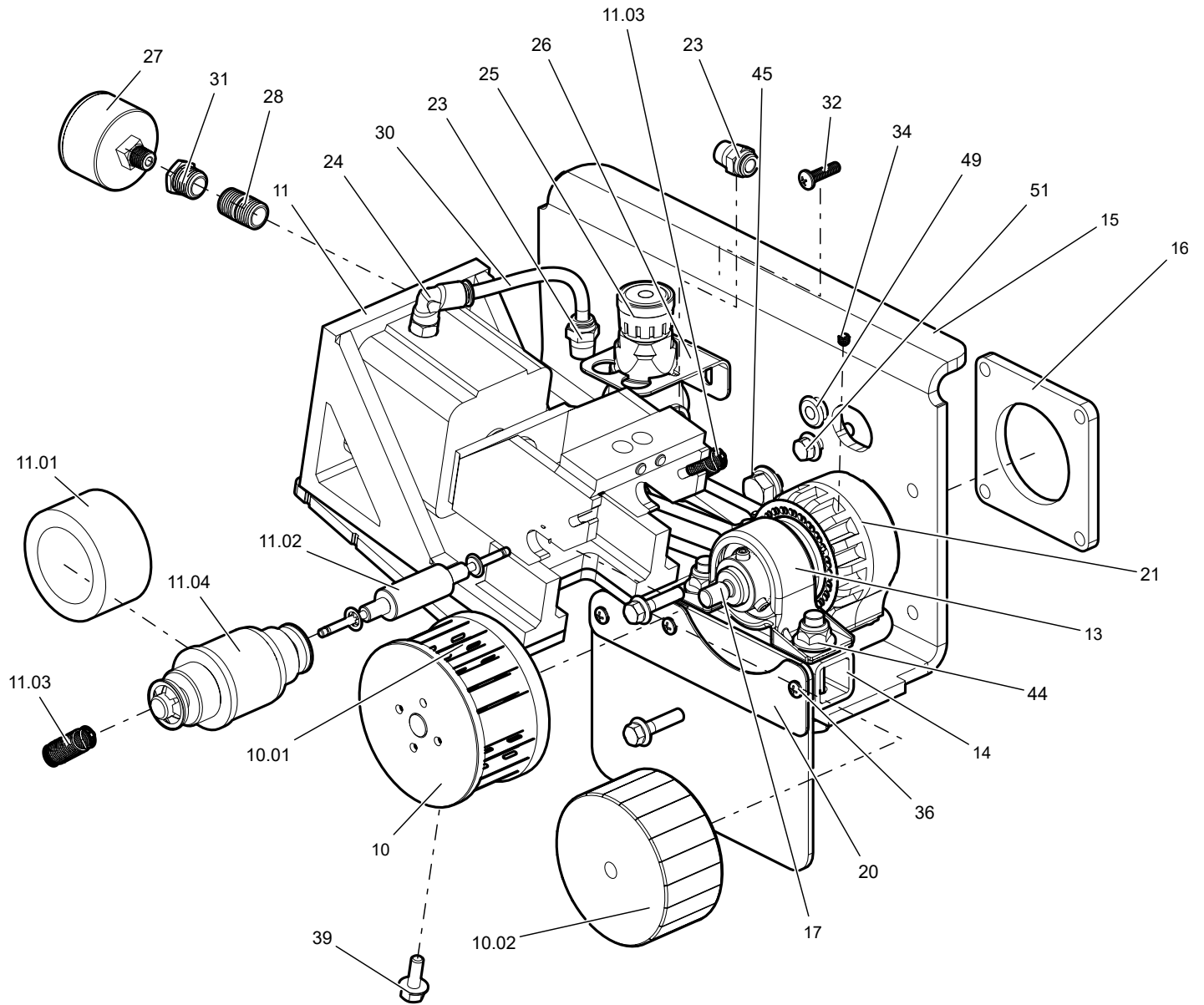
Item	Description	Part Number	Qty
1	FIBER CHOPPER DOOR	2542-233-04	1
2	SPRING LATCH	5370-031-000	1
3	WING CAM LATCH	5370-624-000	1
4	FIBER CHOPPER CASE BOTTOM	2542-089-12	1
5	CAM LATCH ARM	5370-634-000	1
6	FIBER CHOPPER CASE	2542-232-04	1
7	FIBER CHOPPER DRIVE <sup>1</sup>	2552-249-07	1
8	RUBBER STOPPER	2542-082-06	1
9	FEEDER TUBE SUPPORT	2542-040-12	1
12	FIBER CHOPPER CUTTER COVER	2542-455-02	1
18	FIBER CHOPPER FEEDER TUBE	2542-039-12	1
19	RUBBER MATERIAL GUIDE	2542-090-12	1
22	MOTOR	5500-505-104	1
33	FLANGE LOCK NUT	5307-032-100	4
35	FLAT WASHER	5310-000	2
37	FLANGE LOCK NUT	5307-118-000	8
38	FLAT WASHER	5310-100	6
40	LOCK NUT	5337-101-001	2
41	FLANGE LOCK NUT	5307-020-000	2
42	BOLT	5309-004-000	4
43	BOLT	5309-216-000	2
46	EYELET SPOOL GUIDE	2542-475-00	1
47	FLANGE LOCK NUT	5307-032-080	1
48	BOLT	5309-108-000	8
50	BOLT	5309-012-000	2

<sup>1</sup> see Fiber Chopper Drive on page 188 for components

<sup>2</sup> cutting assembly broken down on next page

Continued on next page

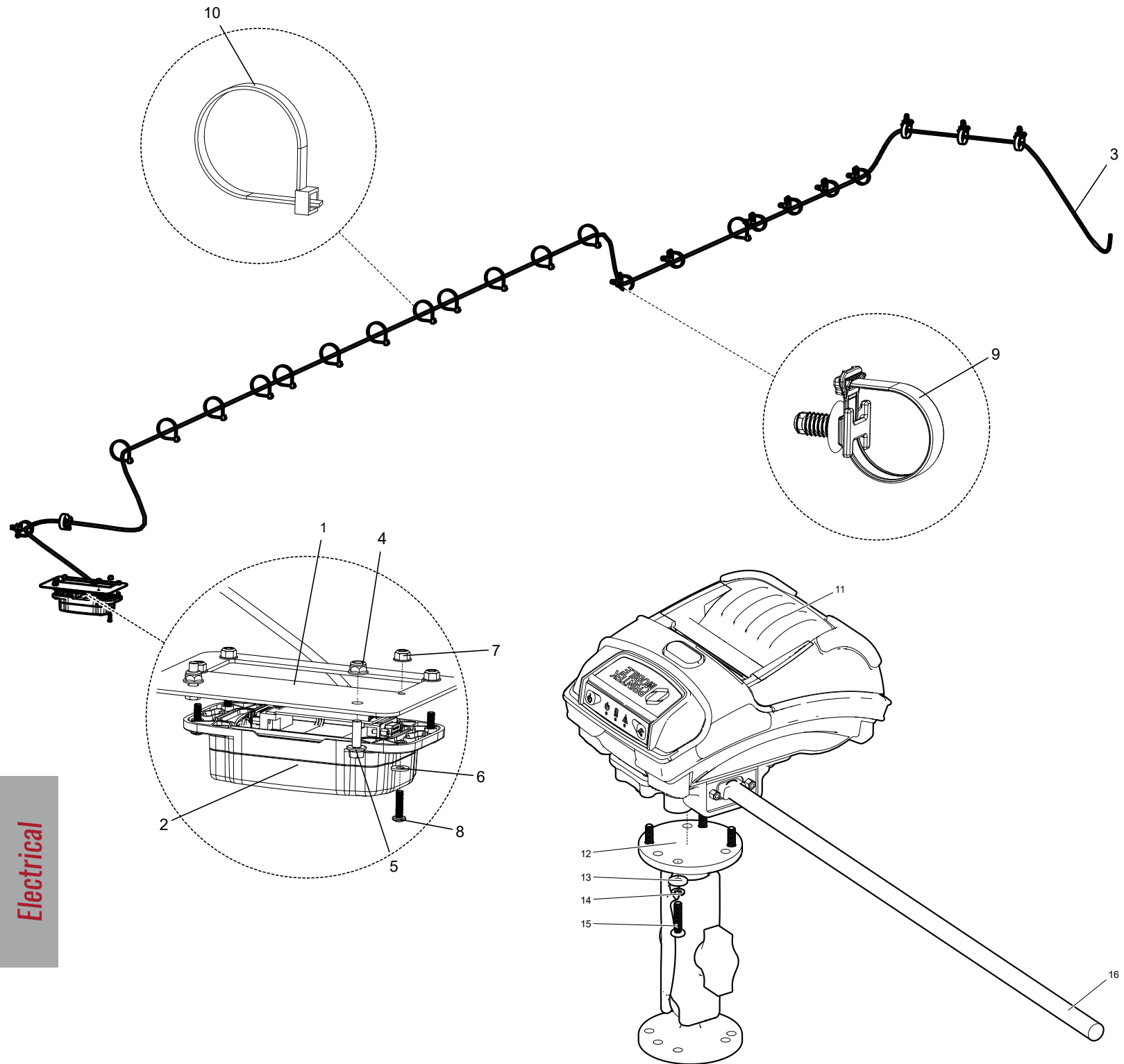
# Fiber Chopper Assembly



Admixture

Item	Description	Part Number	Qty
10	CUTTING WHEEL	5415-311-000	1
10.01	CUTTING BLADES	5415-317-000	20
10.02	ROLLER	5415-316-000	1
11	CYLINDER BRACKET ASSY	5415-310-000	1
11.01	OUTER ROLLER BACKING	5415-313-000	1
11.02	ROLLER TENSIONER	5415-315-000	1
11.03	SPRING	5415-312-000	2
11.04	ROLLER BACKING ASSY	5415-314-000	1
13	BEARING	5152-126	1
14	CUTTER BEARING SPACER	2542-022-12	1
15	CUTTER AND FEEDER MOUNT	2542-454-02	1
16	MOTOR SPACER PLATE	2542-020-12	1
17	MOTOR CUTTER ADAPTER	2542-028-12	1
20	MATERIAL GUIDE RETAINER	2542-092-12	1
21	ENCODER	5508-210-062	1
23	PUSHLOCK	5077-423	2
24	PUSHLOCK 90	5077-524	1
25	AIR REGULATOR	5402-002-01	1
26	AIR REG MOUNTING BRACKET	5402-002-02	1
27	AIR PRESSURE GAUGE	5404-110	1
28	NIPPLE	5051-000	1
30	AIRLINE TUBING	5075-204	4.0625
31	HEX RED	2010-112.10	1
32	SCREW	5335-321	4
34	THREAD	5358-300	2
36	SCREW	5335-204	3
39	BOLT	5339-006-016	3
44	FLANGE LOCK NUT	5307-216-000	3
45	BOLT	5309-208-000	1
49	RUBBER GROMMET	5532-604-005	1
51	BOLT	5309-008-000	4

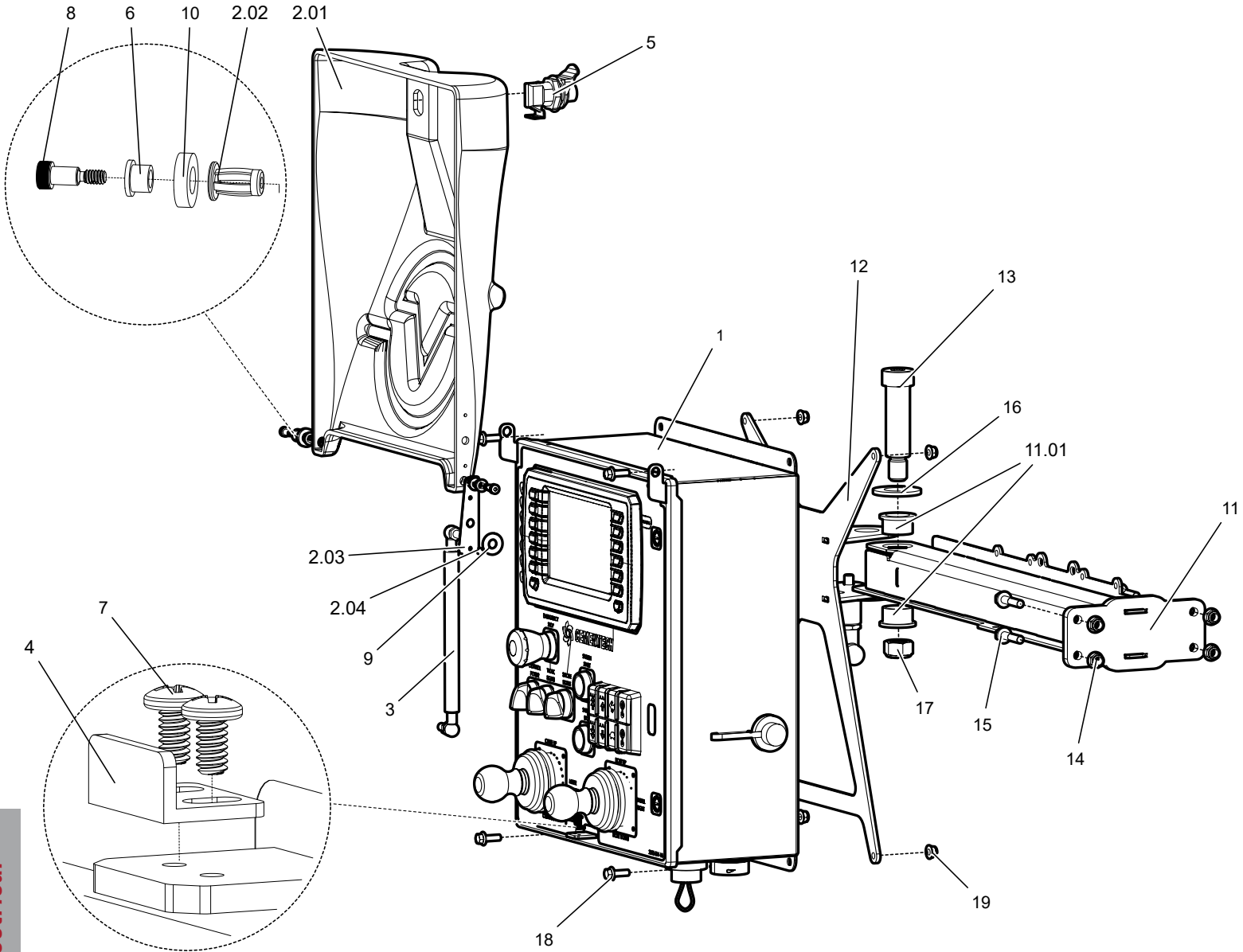
# ACCU-POUR™ & Ticket Printer



Electrical

Item	Description	Part Number	Qty
1	BLUETOOTH MODULE BRACKET	2542-095-08	1
2	BLUETOOTH ENCLOSURE	2552-360-00	1
3	BLUETOOTH EXT WIRELOOM	2552-560-13	1
4	FLANGE LOCK NUT	5307-020-000	2
5	BOLT	5309-006-000	2
6	FLAT WASHER	5336-145	4
7	FLANGE LOCK NUT	5307-032-100	4
8	SCREW	5335-321	4
9	WIRE TIE, TREE	5532-205-000	5
10	WIRE TIE	5532-115	13
11	PRINTER	5508-621-420	1
12	RAM BALL MOUNT	5508-621-411	1
13	FLAT WASHER	5336-144	4
14	LOCK WASHER	5336-134	4
15	SCREW	5335-206	4
16	AP2 PRINTER CAB WIRELOOM	2552-530-04	1

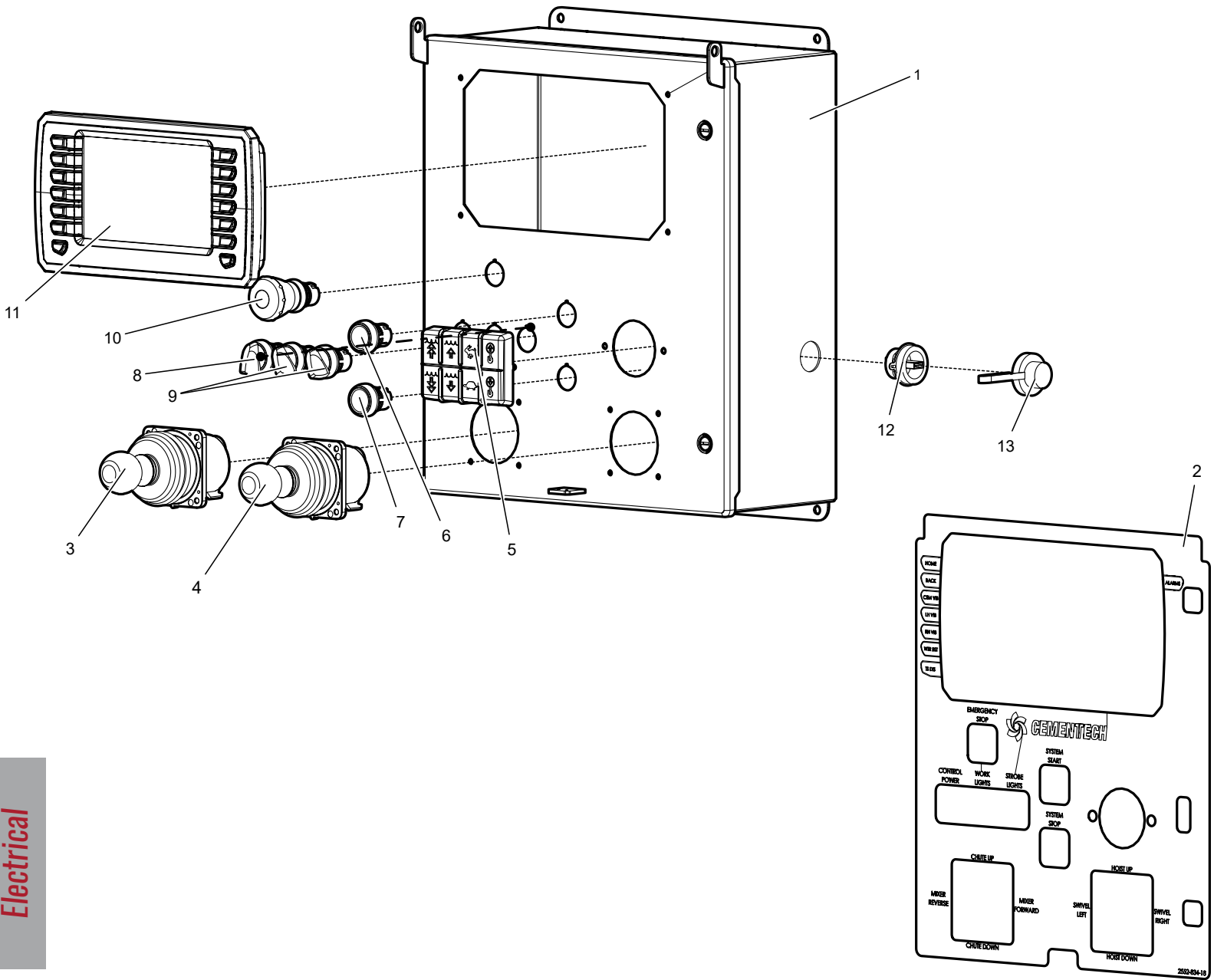
# Control Panel



Electrical

Item	Description	Part Number	Qty
1	CONTROL PANEL ASSY	2552-234-10	1
2	CONTROL PANEL COVER	2542-161-00	1
2.01	PLASTIC COVER	2542-040-09	1
2.02	JACK NUT	5300-020-205	2
2.03	BACKER PLATE	2542-001-10	1
2.04	RIVET NUT	5300-024-009	2
4	LATCH CATCH	5370-637-000LC	1
5	PUSH BUTTON LATCH	5370-637-000	1
6	FLANGE BUSHING	5180-958-000	2
7	SCREW	5335-102	2
8	SHOULDER BOLT	5365-713-003	2
9	FLAT WASHER	5310-100	1
10	RUBBER SPACER	2542-089-09	1
11	CONTROL PANEL MOUNT ARM	2603-221-01	1
11.01	BEARING SLEEVE	5154-416-012	2
12	CONTROL PANEL SWIVEL	2542-275-02	1
13	SHOULDER BOLT	5365-711-003	1
14	FLANGE LOCK NUT	5307-118-000	4
15	BOLT	5309-112-000	4
16	FLAT WASHER	5310-800-002	2
17	LOCK NUT	5302-711-001	1
18	BOLT	5309-006-000	4
19	FLANGE LOCK NUT	5307-020-000	4

# Control Panel Assembly



Electrical

Item	Description	Part Number	Qty
1	CONTROL ENCLOSURE CUT OUT	2552-234-12	1
2	CONTROL DR LABEL	2552-834-18	1
3	MIXER JOYSTICK	5549-022-100	1
4	HOIST JOYSTICK	5549-022-101	1
5	BUTTON PAD	5549-022-010	1
6	SWITCH, SYSTEM START	5522-757-001	1
7	SWITCH, SYSTEM STOP	5522-757-003	1
8	SWITCH, POWER	5522-755-002	1
9	SWITCH, LIGHTS	5522-755-001	2
10	SWITCH, EMERGENCY STOP	5522-758-102	1
11	TOUCH SCREEN	5549-048-000	1
12	USB PORT	5548-843-400	1
13	USB COVER	5548-843-502	1



Item	Description	Part Number	Qty
10	SWITCH BACK	5522-750-000	6
11	SWITCH CONTACT, NC	5522-753-001	3
12	SWITCH CONTACT, NO	5522-753-100	6
14	BACK PANEL	2552-234-07	1
17	CAN SPLITTER	5549-048-100	2
18	PRINTER CONVERTER	5549-048-111	1
19	WASHER	5336-144	6
20	END ANCHOR	5538-009.10	2
21	DIN RAIL	5538-002.02	0.5'
22	TERMINAL	5538-042	16
23	TERMINAL COVER	5538-042.2	2
24	TERMINAL JUMPER, 10 PACK	5538-010.4	1
26	LABEL, TERMINALS	2552-834-10	2
27	LABEL, CANS	2552-834-11	1
30	SCREW	5335-202	2
32	WIRE TIE CLIP	5532-203-001	15
33	DEUTSCH CONNECTOR	5530-765-002	3
35	SCREW	5335-204	4
36	WIRELOOM, BLUETOOTH	2552-534-10	1
37	WIRELOOM, CAN TO PRINTER CONVERTER	2552-534-17	1
38	WIRELOOM, PRINTER	2552-534-19	1
39	WIRELOOM, PRINTER GROUND	2552-534-16	1
40	WIRELOOM, DOOR WIRING <sup>1</sup>	2552-534-12	1
41	WIRELOOM, USB <sup>1</sup>	2552-534-06	1
42	WIRELOOM, ENTRANCE <sup>1</sup>	2552-534-08	1
43	WIRE TIE <sup>1</sup>	5532-104	20

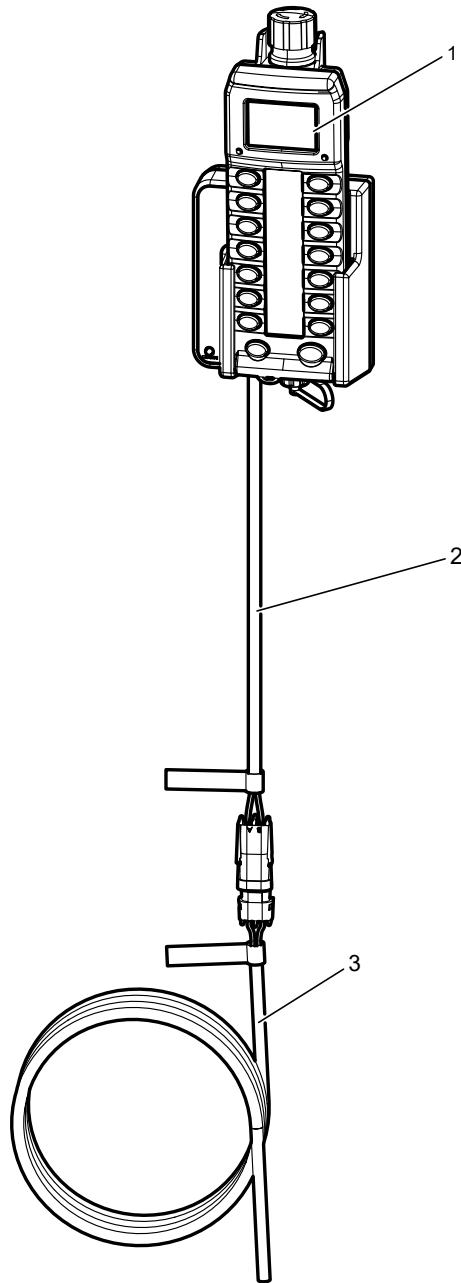
<sup>1</sup> Not shown.

REPLACEMENT KITS			
Item	Description	Part Number	QTY
RK1	SEAL AND ADHESIVE	2112-634-001	1

\*Replacement kits not pictured

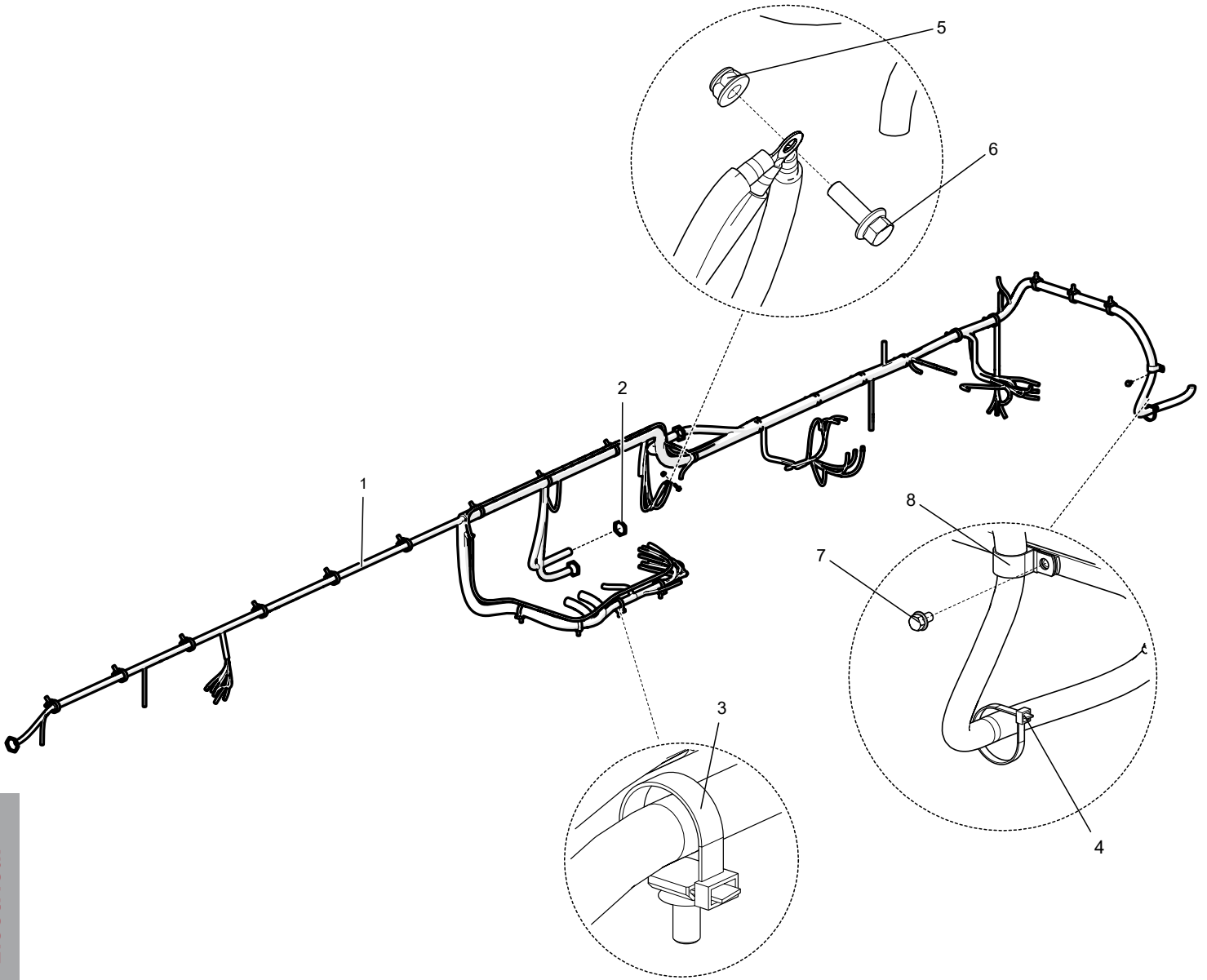
UPGRADE KITS			
Item	Description	Part Number	QTY
UK1	CAN CONVERTER	2112-634-04	1

\*Upgrade kits not pictured



<i>Item</i>	<i>Description</i>	<i>Part Number</i>	<i>Qty</i>
1	WIRELESS REMOTE	5516-311-000	1
2	WIRELESS CHARGING DOCK	2552-322-06	1
3	REMOTE CHARGER EXT WIRELOOM	2552-522-03	1

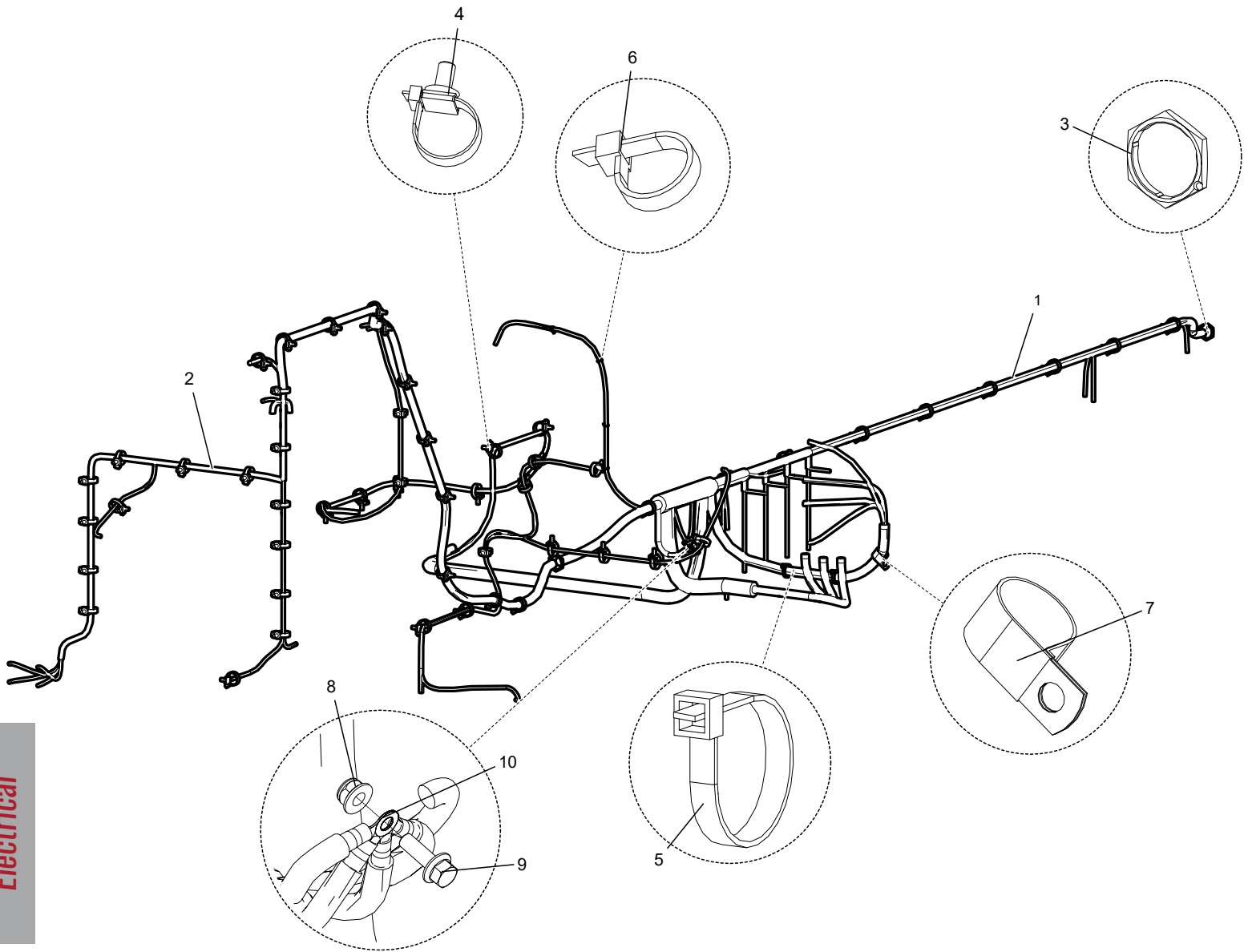
# LH Main Harness



Electrical

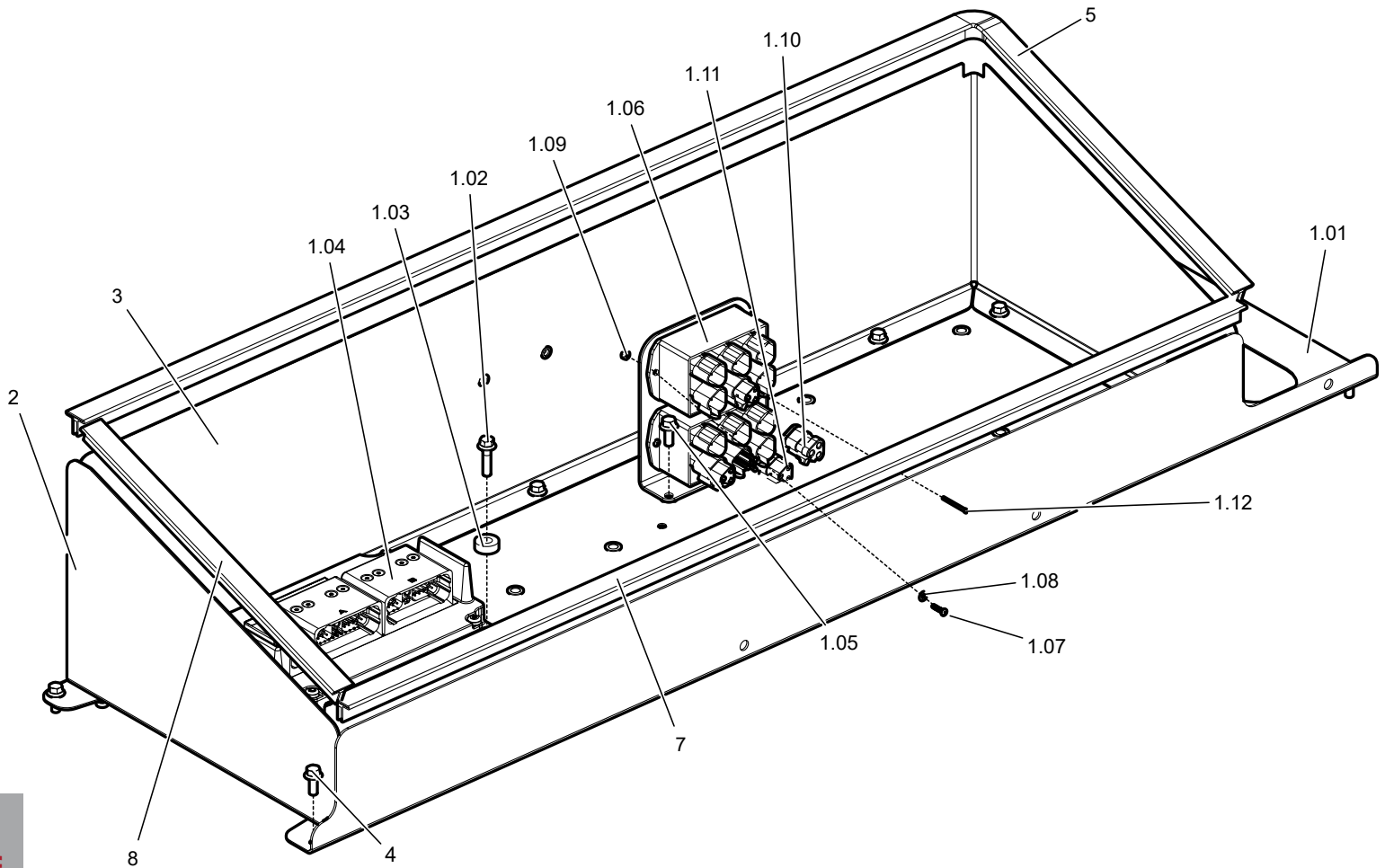
Item	Description	Part Number	Qty
1	WIRELOOM, LH MAIN	2552-523-77	1
2	DEUTSCH CONNECTOR NUT	5530-761-297	4
3	WIRE TIE, TREE	5532-205-000	24
4	WIRE TIE	5532-106	4
5	FLANGE LOCK NUT	5307-020-000	1
6	BOLT	5309-006-000	1
7	FLANGE LOCK NUT	5309-104-000	1
8	RUBBER DIP CLAMP	5370-790	1

# RH Main Harness



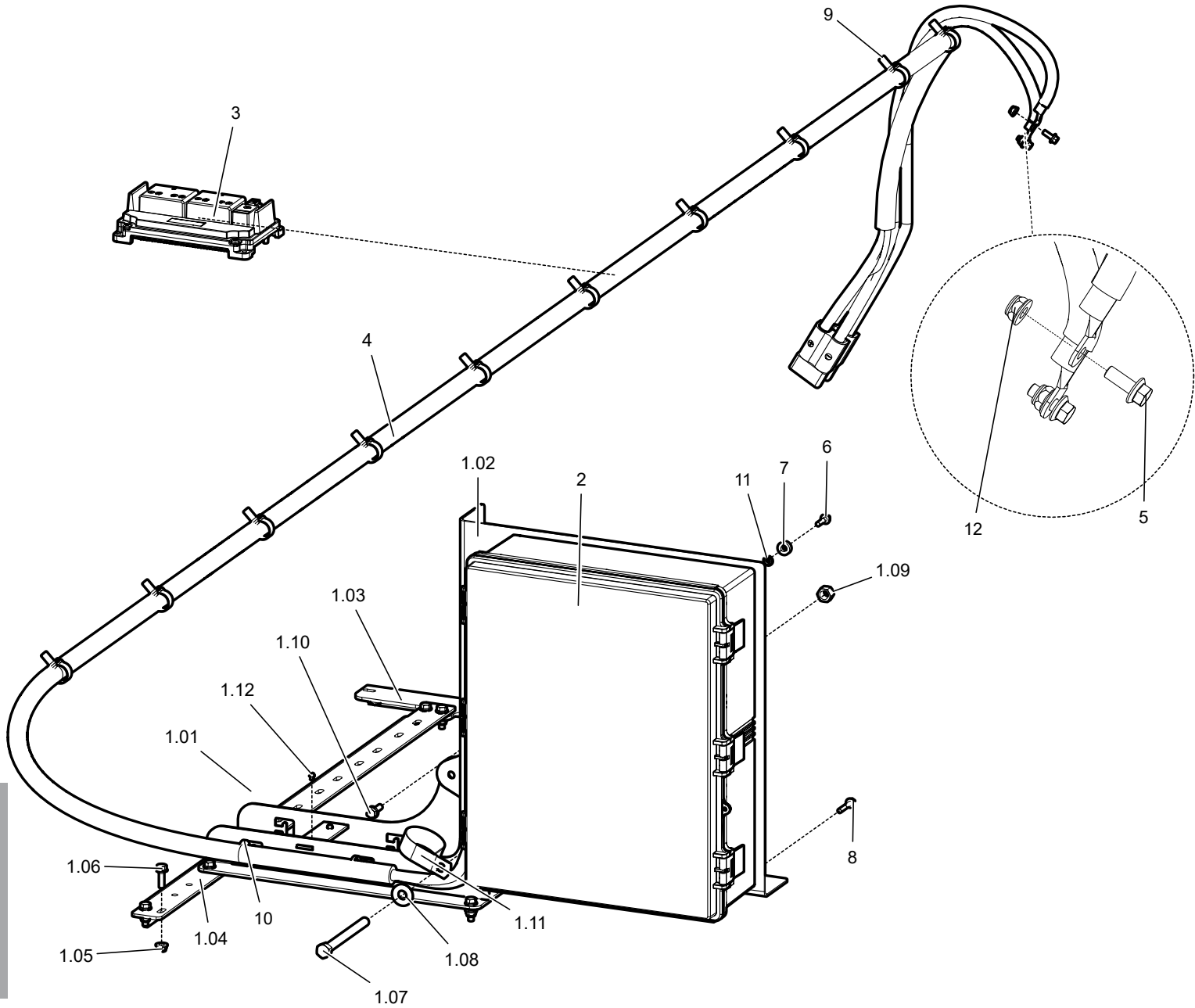
Electrical

<i>Item</i>	<i>Description</i>	<i>Part Number</i>	<i>Qty</i>
1	CS RH MAIN FRONT WIRELOOM	2552-523-59	1
2	CS RH MAIN REAR WIRELOOM	2552-523-54	1
3	DEUTSCH CONNECTOR	5530-761-297	2
4	WIRE TIE, TREE	5532-205-000	51
5	WIRE TIE	5532-115	2
6	WIRE TIE	5532-106	4
7	RUBBER DIP CLAMP	5370-792	1
8	FLANGE LOCK NUT	5307-020-000	1
9	BOLT	5309-006-000	1
10	TERMINAL RING	5530-324	4



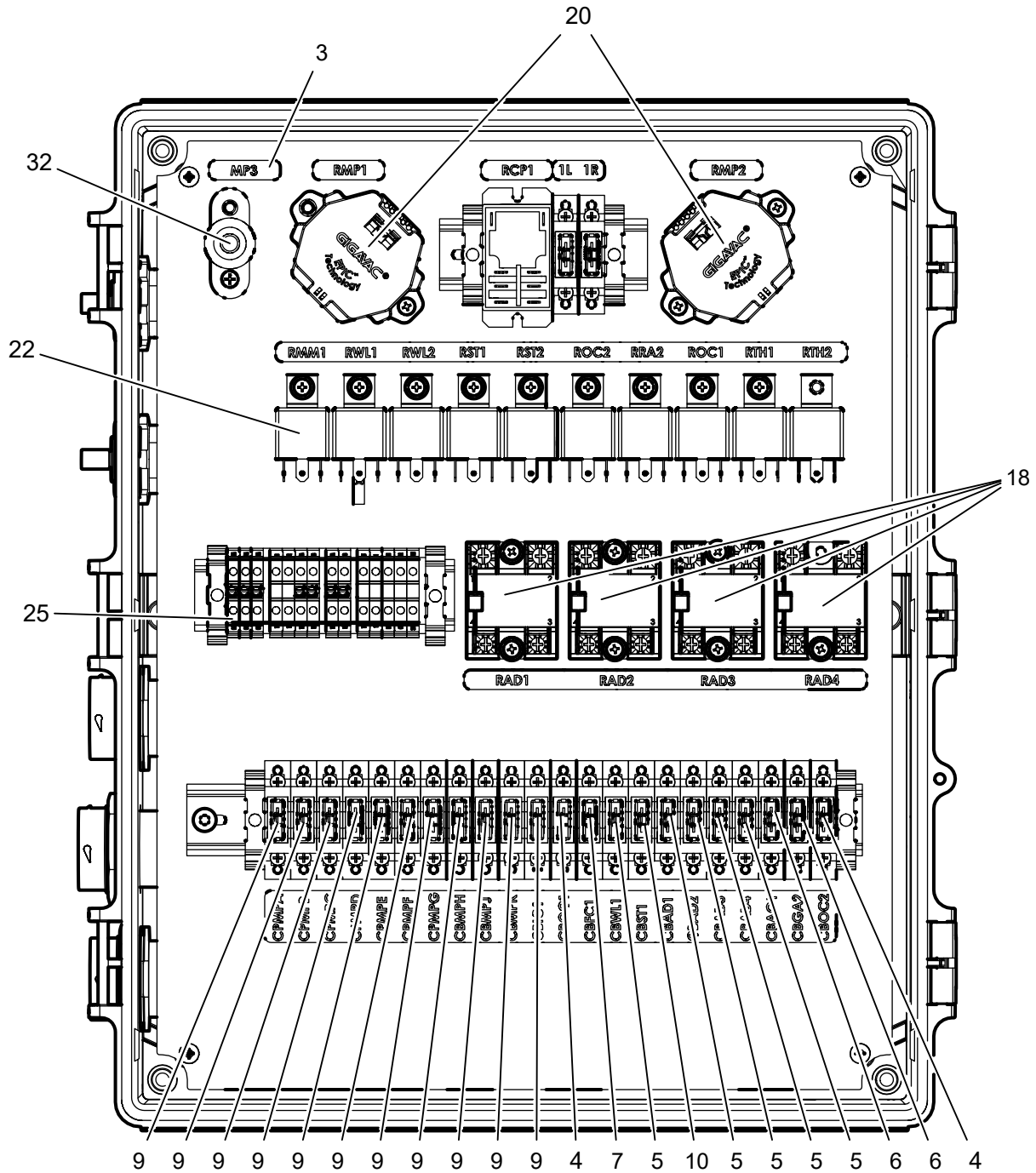
Electrical

Item	Description	Part Number	Qty
1.01	LH ELECT CONTROL BRKT	2603-074-05	1
1.02	CAN HUB MOUNT BRACKET	2603-071-05	1
1.03	CAN 6 POS HUB SEALED	5549-048-100	2
1.04	ELECT CONTROLLER A	2552-730-20	1
1.05	DEUTSCH CONN SEALING PLUG	5530-720-020	9
1.06	DEUTSCH CONNECTOR	5300-020.20	3
1.07	RIV NUT	5309-008-000	3
1.08	BOLT	5310-003	4
1.09	RUBBER FLAT WASHER	5309-005-000	4
1.10	BOLT	5334-000-012	2
1.11	SCREW	5334-000-012	4
1.12	FLAT WASHER	5334-005-001	4
2	COVER, LH CONTROL, SIDE	2603-072-05	1
3	COVER, LH CONTROL, BACK	2603-073-05	1
4	BOLT	5309-005-000	11
5	WEATHER STRIP	5161-104-05000	1
6	WEATHER STRIP	5161-104-03688	1
7	WEATHER STRIP	5161-104-01250	1



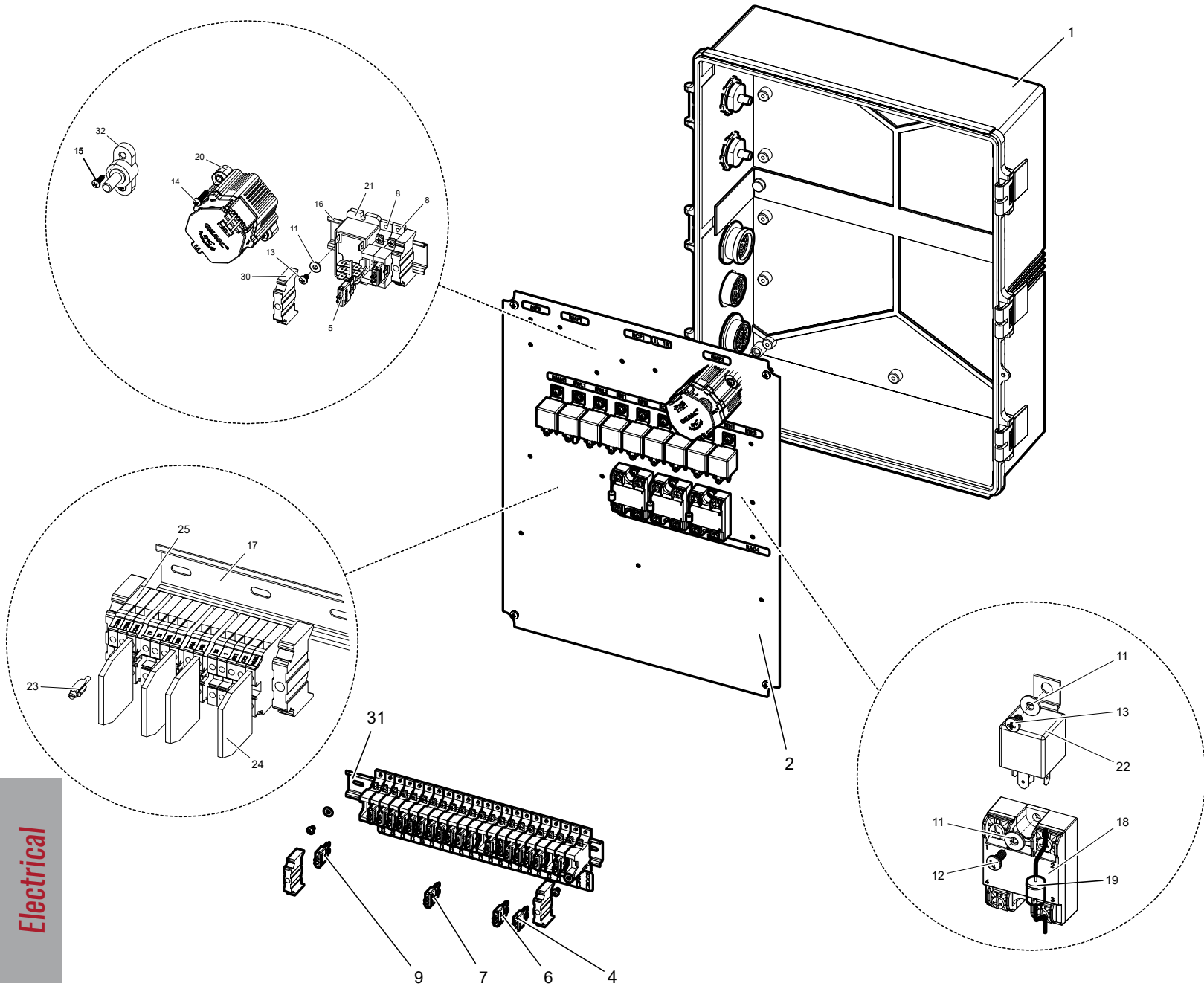
Electrical

Item	Description	Part Number	Qty
1	ELECTRICAL BOX, PASSENGER MOUNT	2603-311-02	1
1.01	ELECT BOX MOUNT BOTTOM	2603-295-01	1
1.02	ELECT BOX MOUNT FRAME	2603-294-01	1
1.03	ADMIX TANK ANGLE SUPPORT	2603-032-08	1
1.04	ADMIX PUMP BRACKET REAR	2603-092-07	1
1.05	FLANGE LOCK NUT	5307-118-000	11
1.06	BOLT	5309-108-000	11
1.07	BOLT	5315-444B	1
1.08	FLAT WASHER	5310-400	2
1.09	LOCK NUT	5302-413	1
1.10	BEARING SLEEVE	5154-408-000	2
1.11	RUBBER DIP CLAMP	5370-794	1
1.12	RUBBER PUSH-IN BUMPER	5357-001-000	1
2	ELECT CCE ASSEMBLY, 24V	2552-234-53	1
3	ELECT CONTROLLER B	2552-730-21	1
4	RH POWER HARNESS	2552-553-02	1
5	BOLT	5309-005-000	2
6	BOLT	5309-008-000	4
7	RUBBER FLAT WASHER	5310-003	4
8	BOLT	5309-012-000	4
9	WIRE TIE TREE	5532-205-000	10
10	WIRE TIE	5532-108	2
11	SEALING WASHER	5310-001-002	4
12	FLANGE LOCK NUT	5307-020-000	6



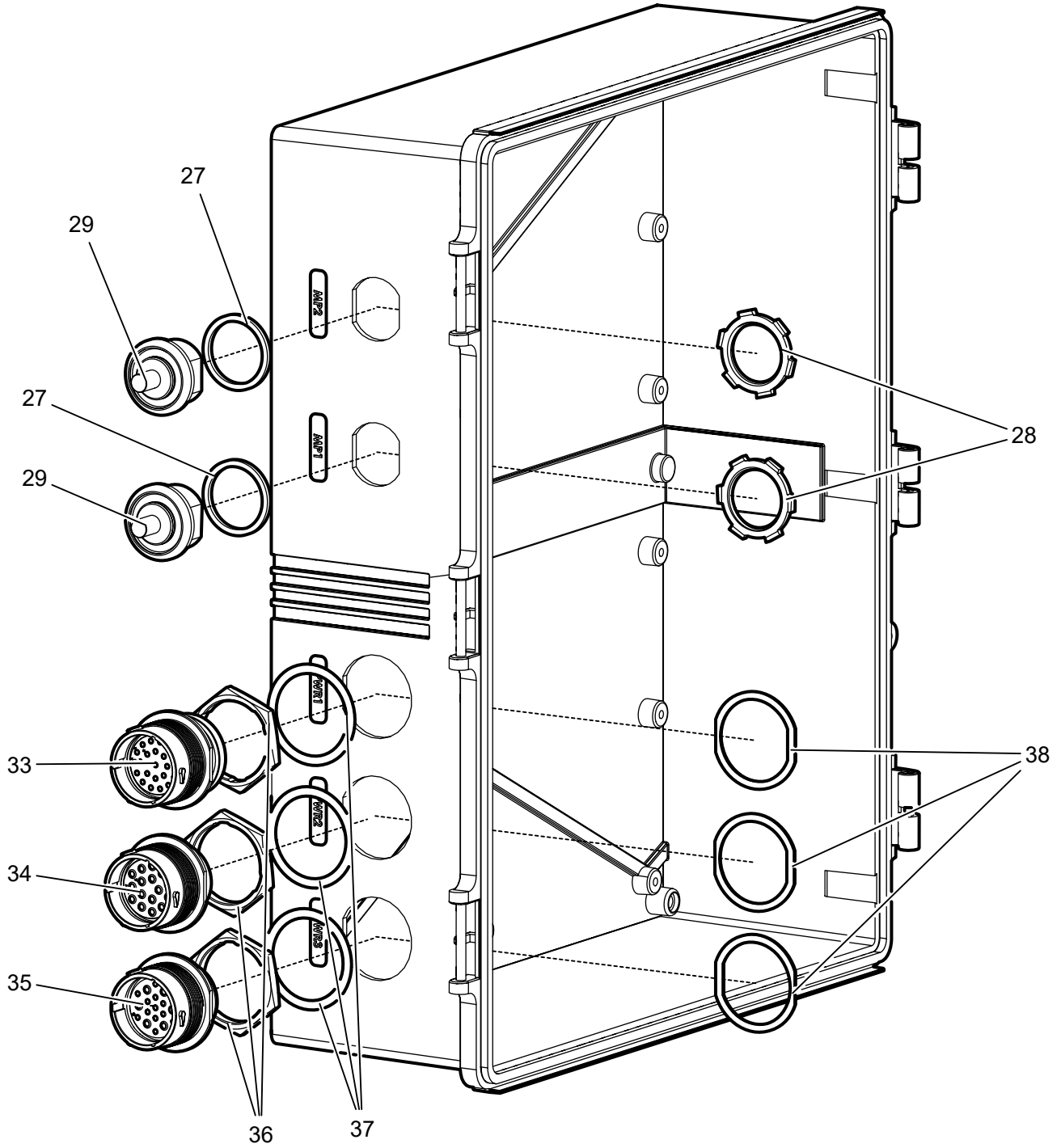
<i>Item</i>	<i>Description</i>	<i>Part Number</i>	<i>Qty</i>
3	CCE LABELS	2552-234-55	1
4	25A BREAKER	5514-800-025	2
5	10A BEAKER	5514-800-010	7
9	7.5A BREAKER	5514-800-007	11
16	10A RELAY	5504-022-104	4
18	150A RELAY	5504-023-512	2
20	40A RELAY	5504-012-002	10
23	30A TERMINAL	5538-042	14
30	TERMINAL POWER STUD	5538-013-008	1

# RH Electrical Cabinet



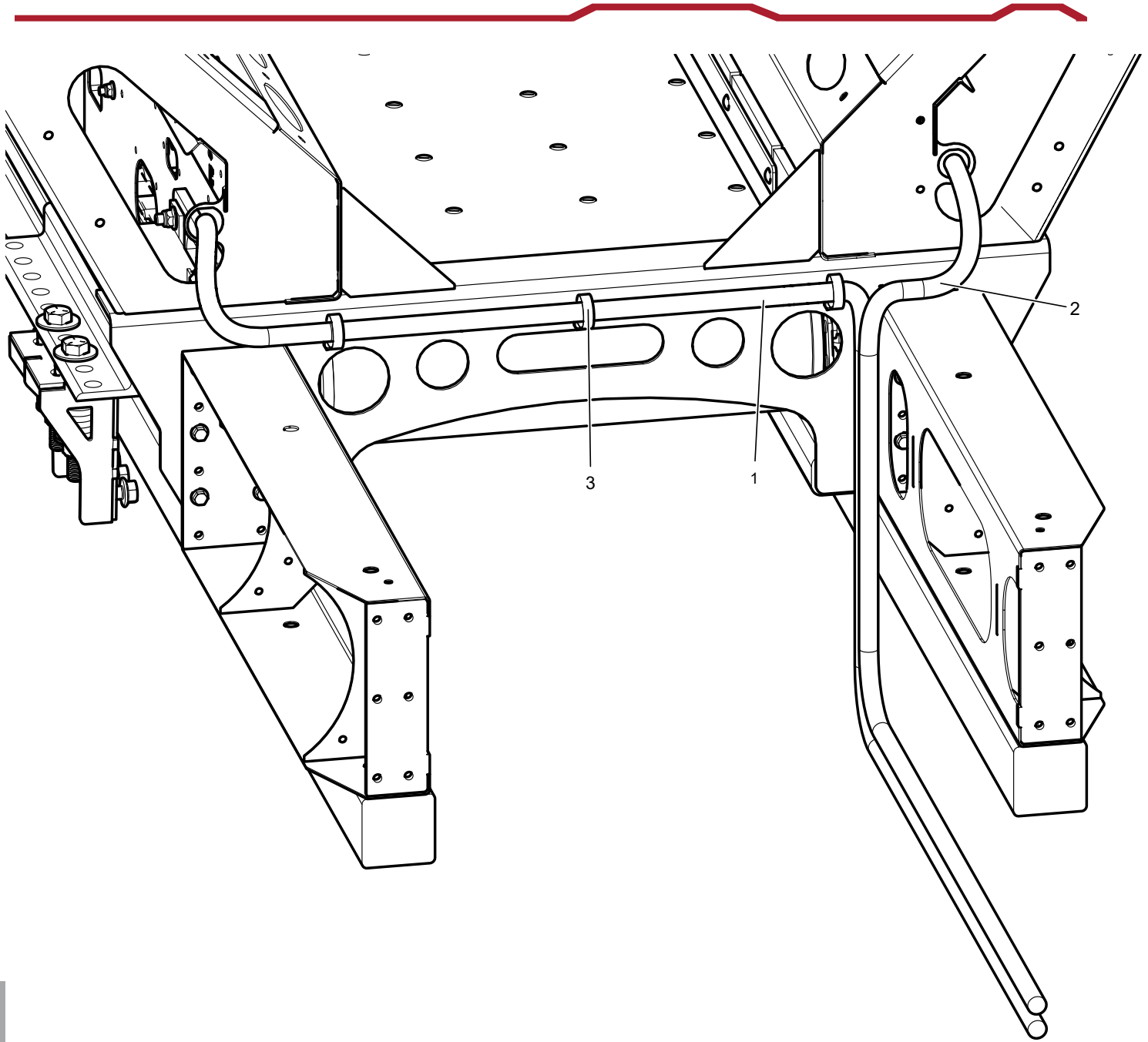
Electrical

Item	Description	Part Number	Qty
1	ELECT CCE CUTOUT	2552-234-60	1
2	ELECT CCE BACK PANEL	2552-234-54	1
4	25A BREAKER	5514-800-05	2
5	10A BEAKER	5514-800-015	7
6	FUSE HOLDER	5536-031-000	24
7	7.5A BREAKER	5514-800-007	11
8	5A BREAKER	5514-800-005	1
9	FLAT WASHER	5336-144	25
10	SCREW	5335-203	8
11	SCREW	5335-202	17
12	SCREW	5335-206	4
13	SCREW	5335-204	2
14	TERMINAL STRIP	5538-002.02	0.333'
15	TERMINAL STRIP	5538-002.02	0.417'
16	10A RELAY	5504-022-104	4
17	DIODE	5508-509-006	4
18	150A RELAY	5504-023-512	2
19	20A RELAY	5504-022-100	1
20	40A RELAY	5504-012-002	10
21	25A TERMINAL JUMPER BLOCK	5538-010.4	7
22	25A TERMINAL BLOCK END	5538-042.2	4
23	30A TERMINAL	5538-042	14
28	END ANCHOR	5538-009.10	6
29	TERMINAL STRIP	5538-002.02	1'
30	TERMINAL POWER STUD	5538-013-008	1



Item	Description	Part Number	Qty
25	O-RING SEAL	5534-150-219	2
26	LOCK NUT	5534-131	2
27	TERMINAL STUD	5538-013-004	2
31	CCE POWER1 WIRELOOM <sup>1</sup>	2552-534-47	1
32	CCE POWER2 WIRELOOM <sup>1</sup>	2552-534-45	1
33	CCE POWER3 WIRELOOM <sup>1</sup>	2552-534-46	1
34	CONNECTOR NUT	5530-761-297	3
35	CONNECTOR WASHER	5530-761-298	3
36	CONNECTOR GASKET	5531-761-299	3

<sup>1</sup> wires hidden for clarity

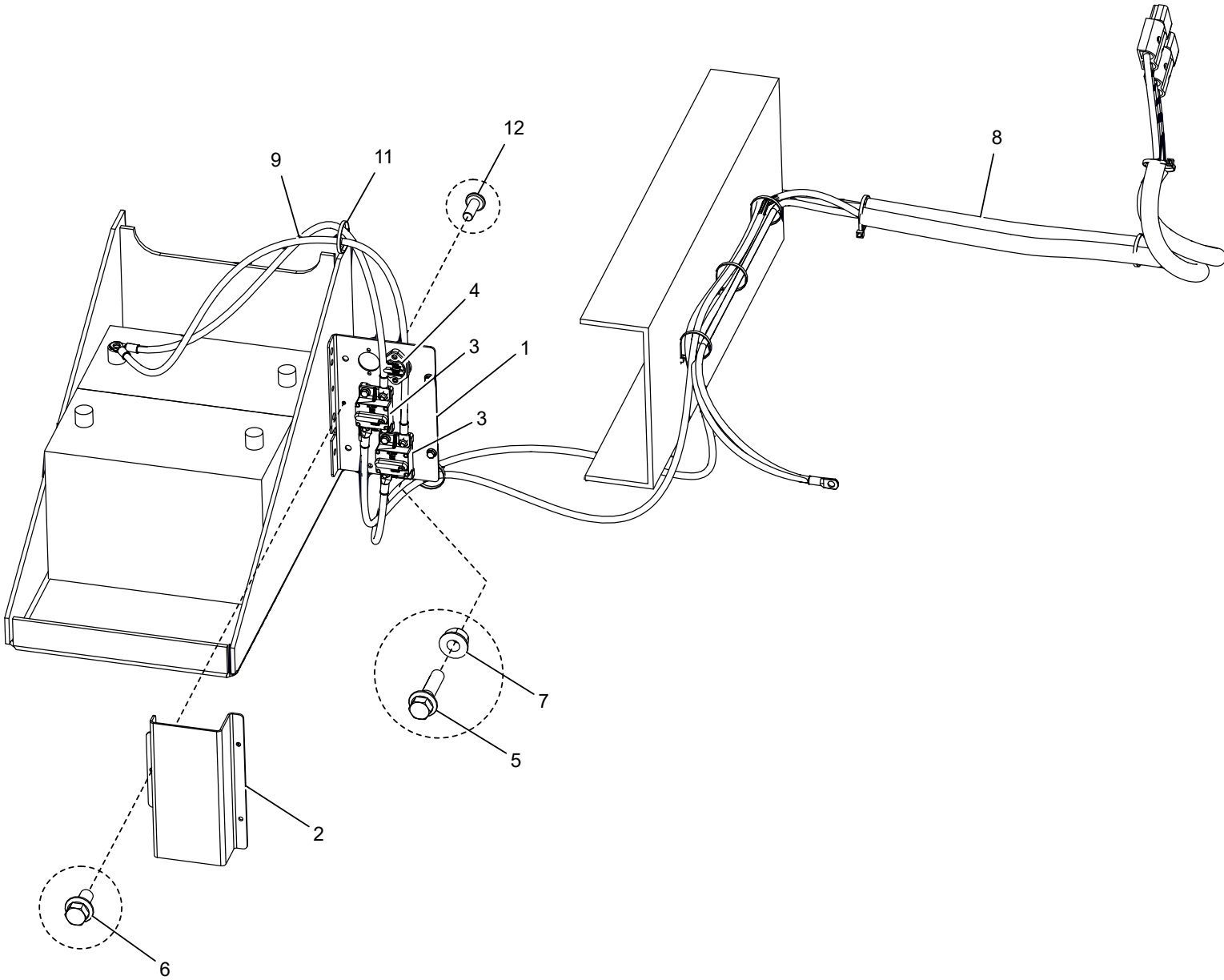


Electrical

Item	Description	Part Number	Qty
1	WIRELOOM GENERIC TRUCK RH	2552-523-57	1
2	WIRELOOM GENERIC TRUCK LH	2552-523-56	1
3	WIRE TIE TREE	5532-205-000	3

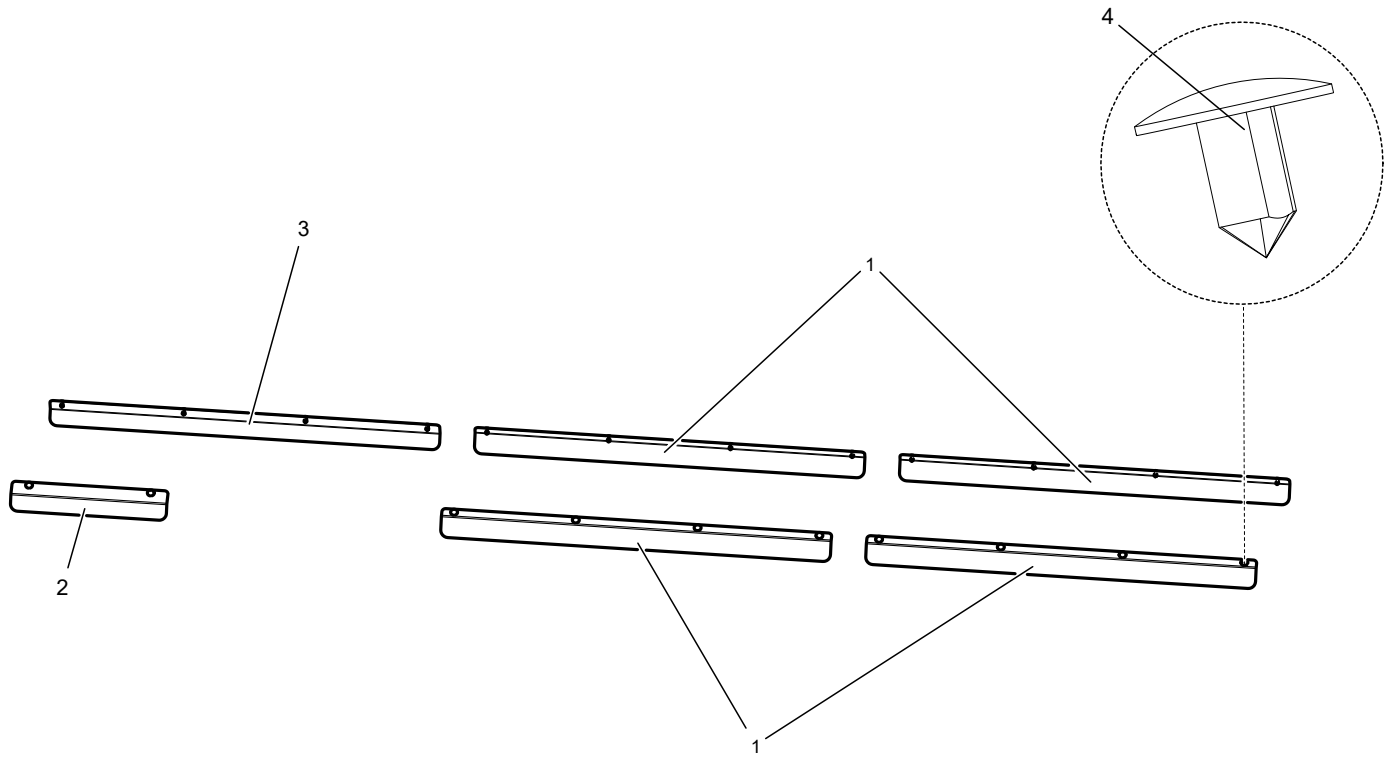
<sup>1</sup> Body link wirelooms used depend on truck specifications and details. Refer to existing unit wireloom labels to determine replacement wireloom part numbers.

# Battery Connections



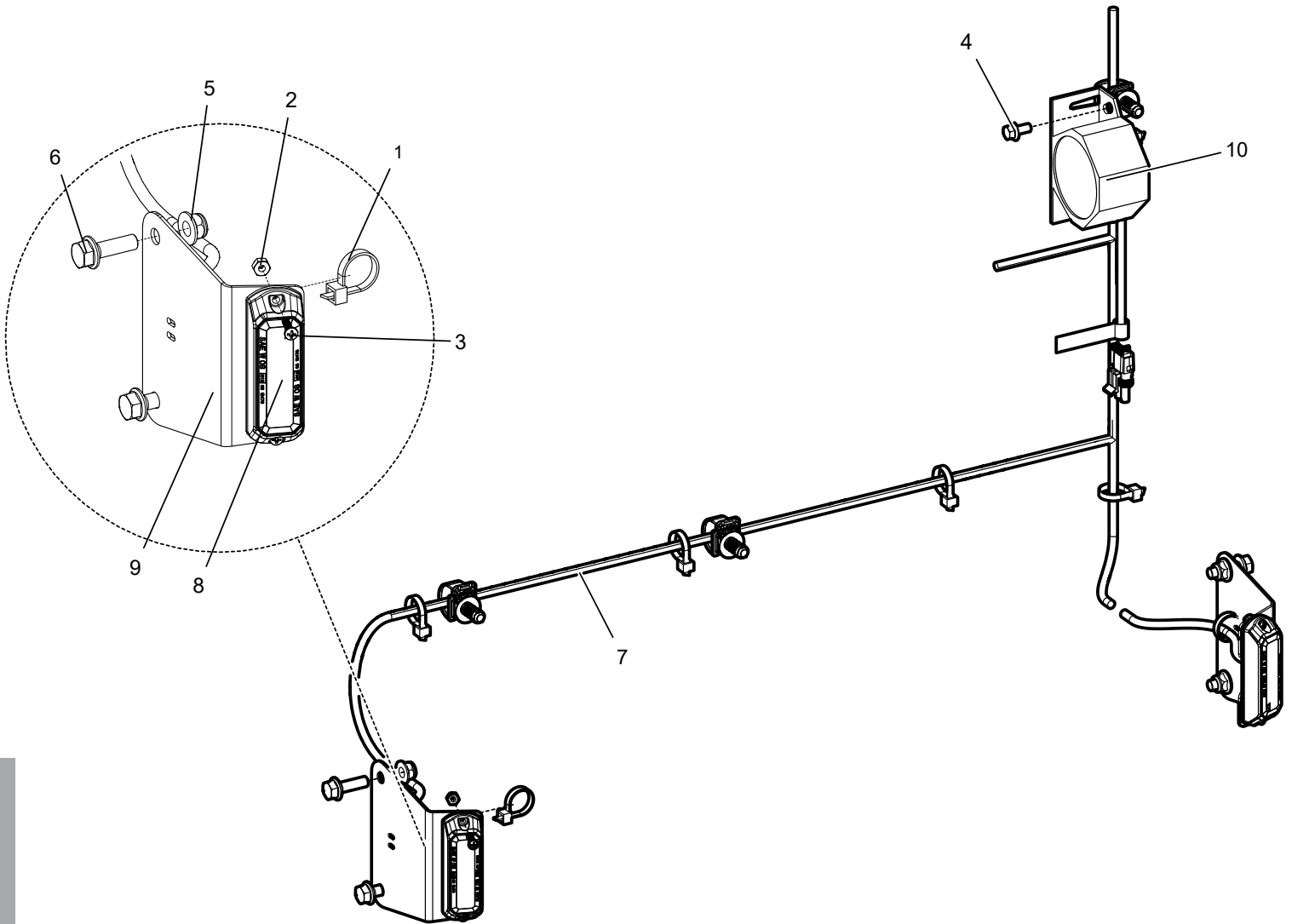
Electrical

<i>Item</i>	<i>Description</i>	<i>Part Number</i>	<i>Qty</i>
1	BRACKET	2542-006-11	1
2	COVER	2542-007-11	1
3	BREAKER	5514-700-050	2
4	BREAKER	5514-701-050	1
5	BOLT	5309-008-000	4
6	BOLT	5309-004-000	3
7	FLANGE LOCK NUT	5307-020-002	4
8	WIRELOOM. BREAKER TO MP1 & MP2	2552-553-24	2
9	WIRELOOM. BATTERY TO BREAKERS	2552-553-25	2
10	WIRELOOM. JUMPER	2552-556-16	1
11	WIRE TIE	5532-108	8
12	SCREW	5335-320-001	2



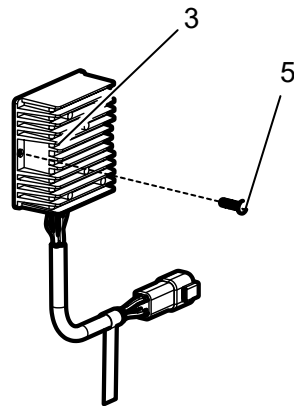
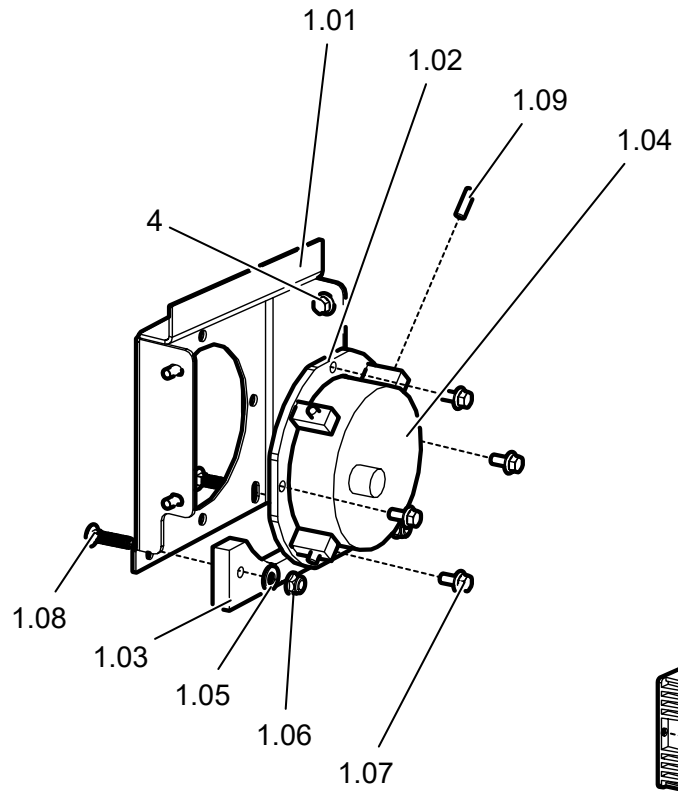
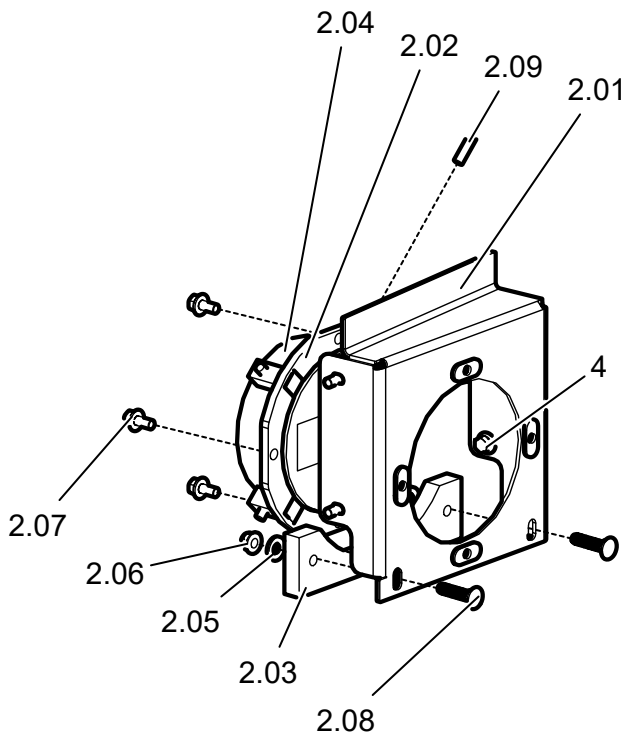
<i>Item</i>	<i>Description</i>	<i>Part Number</i>	<i>Qty</i>
1	WIREWAY COVER	2603-019-01	4
2	WIREWAY COVER	2603-061-09	1
3	WIREWAY COVER	2603-060-09	1
4	PANEL FASTENER	5532-801-000	22

# Backup Alarm



Electrical

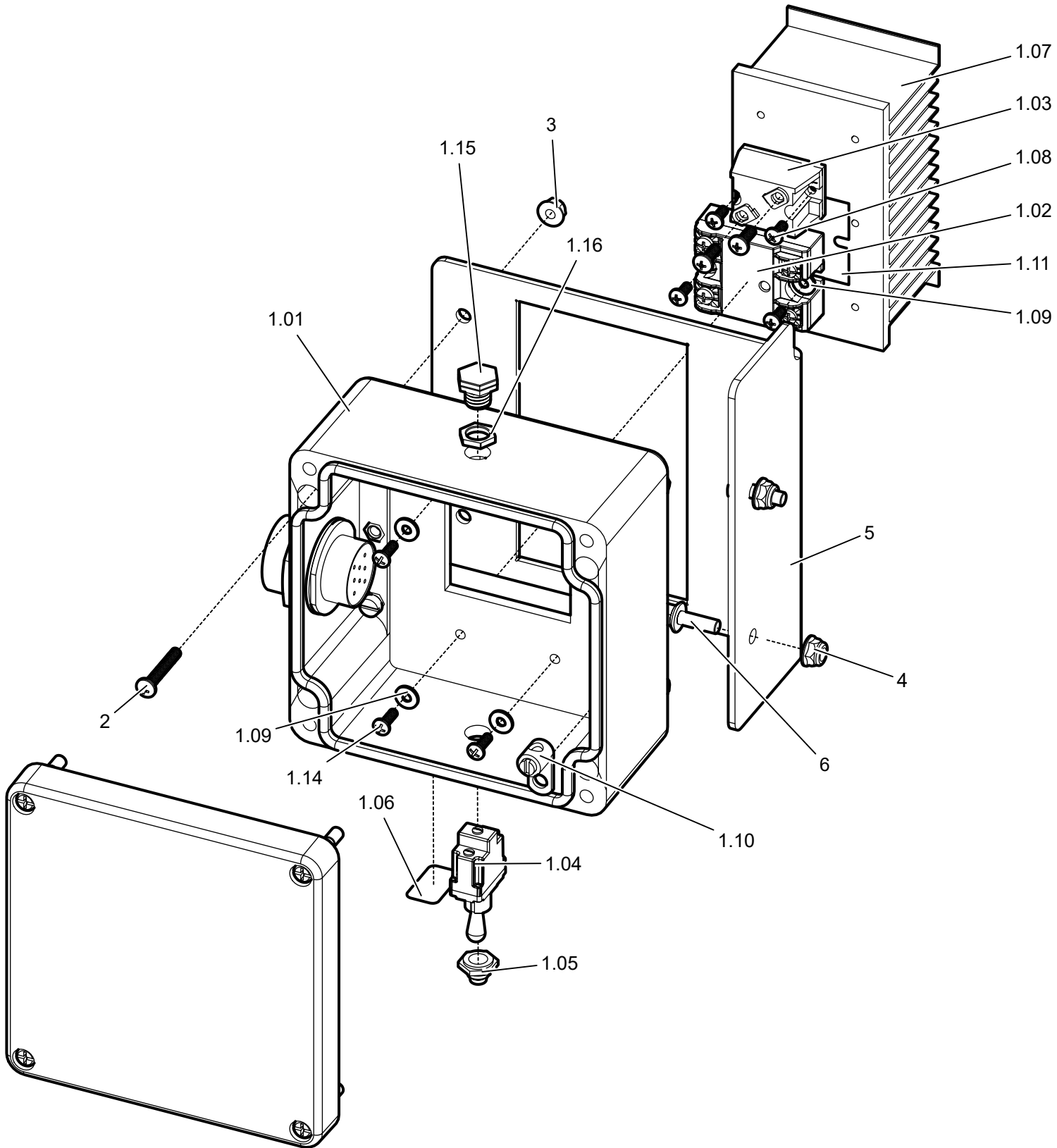
Item	Description	Part Number	Qty
1	WIRE TIE	5532-108	7
2	LOCK NUT	5336-132L	4
3	SCREW	5335-105	4
4	BOLT	5309-004-000	2
5	FLANGE LOCK NUT	5307-118-000	4
6	BOLT	5309-108-000	4
7	WIRELOOM, SAFETY WARNING	2552-565-01	1
8	STROBE LIGHT ASSY	2439-354-32	2
9	MIXER A/V WARNING LITE MOUNT	2581-006-02	2
10	SAFETY ALARM HORN	2552-365-00	1



Item	Description	Part Number	Qty
1	MOISTURE SENSOR ASSY, LH	2542-447-01	1
1.01	MOISTURE SENSOR BRACKET, LH	2542-231-03	1
1.02	SENSOR BRACKET RING	2597-204-00	1
1.03	SENSOR BRACKET MATERIAL GUIDE	2597-014-00	1
1.04	MOISTURE SENSOR	5526-910-000	1
1.05	FLAT WASHER	5311-000-000	2
1.06	FLANGE LOCK NUT	5307-020-000	2
1.07	BOLT	5309-004-000	4
1.08	CARRIAGE BOLT	5325-010	2
1.09	SET SCREW	5355-006	4
2	MOISTURE SENSOR ASSY, RH	2597-204-00	2
2.01	MOISTURE SENSOR BRACKET, RH	2542-232-03	1
2.02	SENSOR BRACKET RING	2597-204-00	1
2.03	SENSOR BRACKET MATERIAL GUIDE	2597-014-00	1
2.04	MOISTURE SENSOR	5526-910-000	1
2.05	FLAT WASHER	5311-000-000	2
2.06	FLANGE LOCK NUT	5307-020-000	2
2.07	BOLT	5309-004-000	4
2.08	CARRIAGE BOLT	5325-010	2
2.09	SET SCREW	5355-006	4
3	12V-24V DC 10A CONVERTER	2552-366-00	2
4	BOLT	5309-004-000	8
5	SCREW	5335-205	4

INSTALL KITS			
IK1	MOISTURE SENSORS, 24V	2603-309-02	1
IK2	MOISTURE SENSOR BLANK	2542-319-04	1

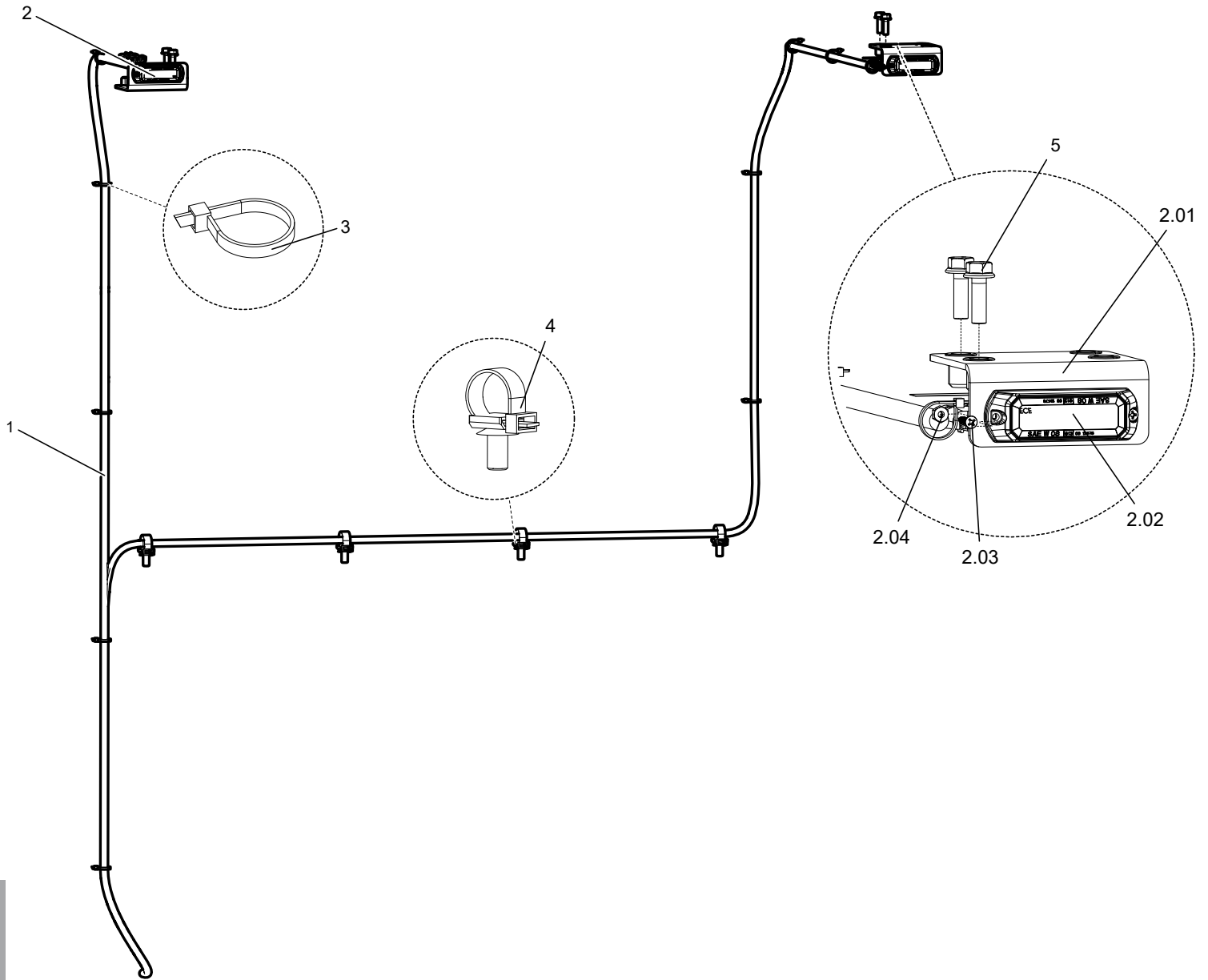
# Fiber Chopper Drive



Electrical

Item	Description	Part Number	Qty
1.01	DRIVE ENCLOSURE CUT OUT	2552-249-08	1
1.02	RELAY 40A	5504-022-103	1
1.03	DIODE 40A	5508-509-005	1
1.04	TOGGLE SWITCH	5522-421-001	1
1.05	TOGGLE SWITCH BOOT	5522-204	1
1.06	LABEL	2552-849-00	1
1.07	HEAT SINK	5504-022-410	1
1.08	SCREW	5335-203	4
1.09	FLAT WASHER	5336-144	5
1.10	GROUND LUG	5530-507	1
1.11	THERMAL PAD	5504-022-001	1
1.12	SEALANT	5721-610-010	1
1.13	SILICA BAG	5532-908-001	2
1.14	SCREW	5335-204	3
1.15	SEALED VENT	5516-803-000	1
1.16	VENT NUT	5516-803-001	1
1.17	WIRELOOM	2552-549-04	1
2	SCREW	5335-331	4
3	FLANGE LOCK NUT	5307-032-100	4
4	FLANGE LOCK NUT	5307-020-000	2
5	FIBER CHOPPER DRIVE BRACKET	2542-091-12	1
6	BOLT	5309-006-000	2

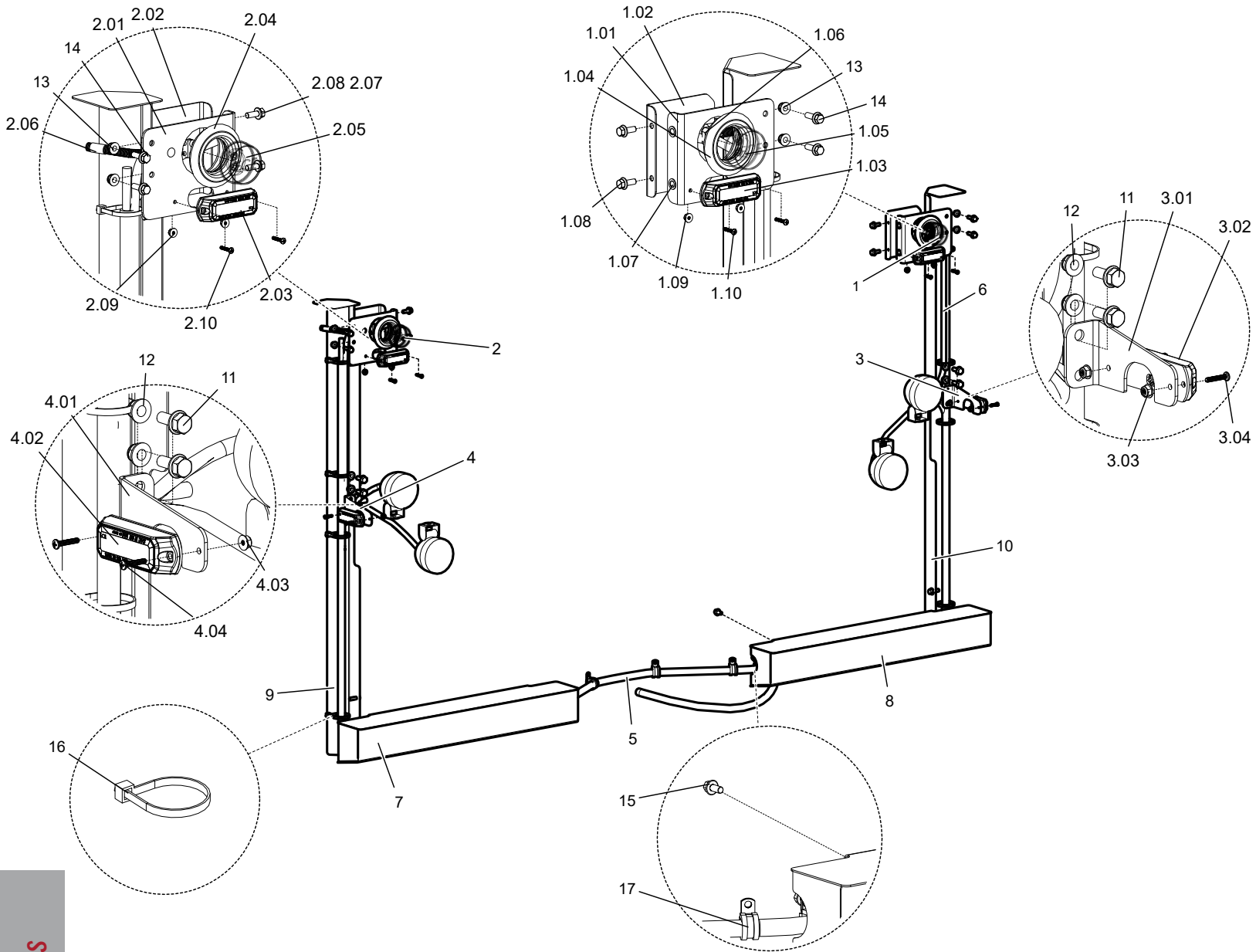
# Strobe Lights



Lights

<i>Item</i>	<i>Description</i>	<i>Part Number</i>	<i>Qty</i>
1	STROBE LIGHT WIRELOOM	2552-554-08	1
2	SUB ASSY: ECE STROBE LIGHT	2603-457-02	2
2.01	ASSY: STROBE LIGHT BRACKET	2603-452-02	1
2.02	STROBE LIGHT ASSY, 24V ECE	2439-354-32	1
2.03	SCREW	5335-106	2
2.04	LOCK NUT	5336-132L	2
3	WIRE TIE	5532-106	12
4	WIRE TIE, TREE	5532-205-000	4
5	BOLT	5309-108-000	4

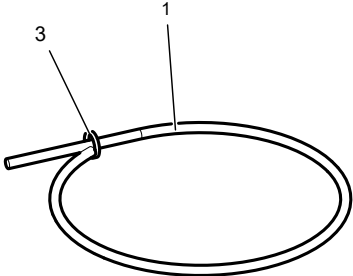
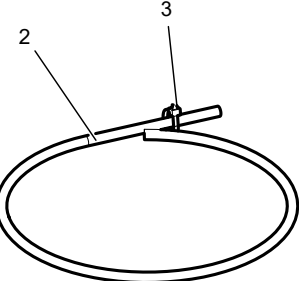
# Clearance Lights



Lights

Item	Description	Part Number	Qty
1	RH STROBE & CLEARANCE LIGHT	2603-458-02	1
1.01	RH STROBE & CLEARANCE LT BRKT	2603-092-12	1
1.02	CLEARANCE LIGHT BACK COVER	2603-080-12	1
1.03	STROBE LIGHT ASSY, 24V ECE	2439-354-32	1
1.04	LIGHT GROMMIT	5540-260-001	1
1.05	CLEARANCE LIGHT	5540-260-026	1
1.06	CLEARANCE LIGHT WIRELOOM	2552-532-02	1
1.07	RIVET NUT INSERT	5300-020.20	2
1.08	BOLT	5309-005-000	2
1.09	FLANGE LOCK NUT	5307-032-060	2
1.10	SCREW	5335-106	2
2	LH STROBE & CLEARANCE LIGHT	2603-459-02	1
2.01	LH STROBE & CLEARANCE LT BRKT	2603-093-12	1
2.02	CLEARANCE LIGHT BACK COVER	2603-080-12	1
2.03	STROBE LIGHT ASSY, 24V ECE	2439-354-32	1
2.04	LIGHT GROMMIT	5540-260-001	1
2.05	CLEARANCE LIGHT	5540-260-026	1
2.06	CLEARANCE LIGHT WIRELOOM	2552-532-02	1
2.07	RIVET NUT INSERT	5300-020.20	2
2.08	BOLT	5309-005-000	2
2.09	FLANGE LOCK NUT	5307-032-060	2
2.10	SCREW	5335-106	2
3	LH STROBE & CLEARANCE LIGHT	2603-459-02	1
3.01	WORK PLATFORM MID MOUNT RH	2603-094-12	1
3.02	STROBE LIGHT ASSY, 24V ECE	5439-354-32	1
3.03	FLANG LOCK NUT	5307-032-060	2
3.04	SCREW	5335-106	2
4	LH MID MOUNT STROBE LIGHT	2603-461-02	1
4.01	WORK PLATFORM MID MOUNT LH	2603-095-12	1
4.02	STROBE LIGHT ASSY, 24V ECE	5439-354-32	1
4.03	FLANG LOCK NUT	5307-032-060	2
4.04	SCREW	5335-106	2
5	PLATFORM EXTENSION WIRELOOM	2552-523-68	1
6	STROBE LIGHT SPLIT WIRELOOM	2552-554-40	2
7	PLATFORM WIRELOOM SHIELD, LH	2603-292-01	1
8	PLATFORM WIRELOOM SHIELD, RH	2603-293-01	1
9	PLATOFRM REAR LH INNER COVER	2603-051-09	1
10	PLATOFRM REAR RH INNER COVER	2603-054-09	1
11	BOLT	5309-106-000	4
12	FLANGE LOCK NUT	5307-118-000	4
13	FLANGE LOCK NUT	5307-020-000	10
14	BOLT	5309-006-000	14
15	BOLT	5309-004-000	4
16	WIRE TIE	5532-108	8
17	CUSHION CLAMP	5532-516	10

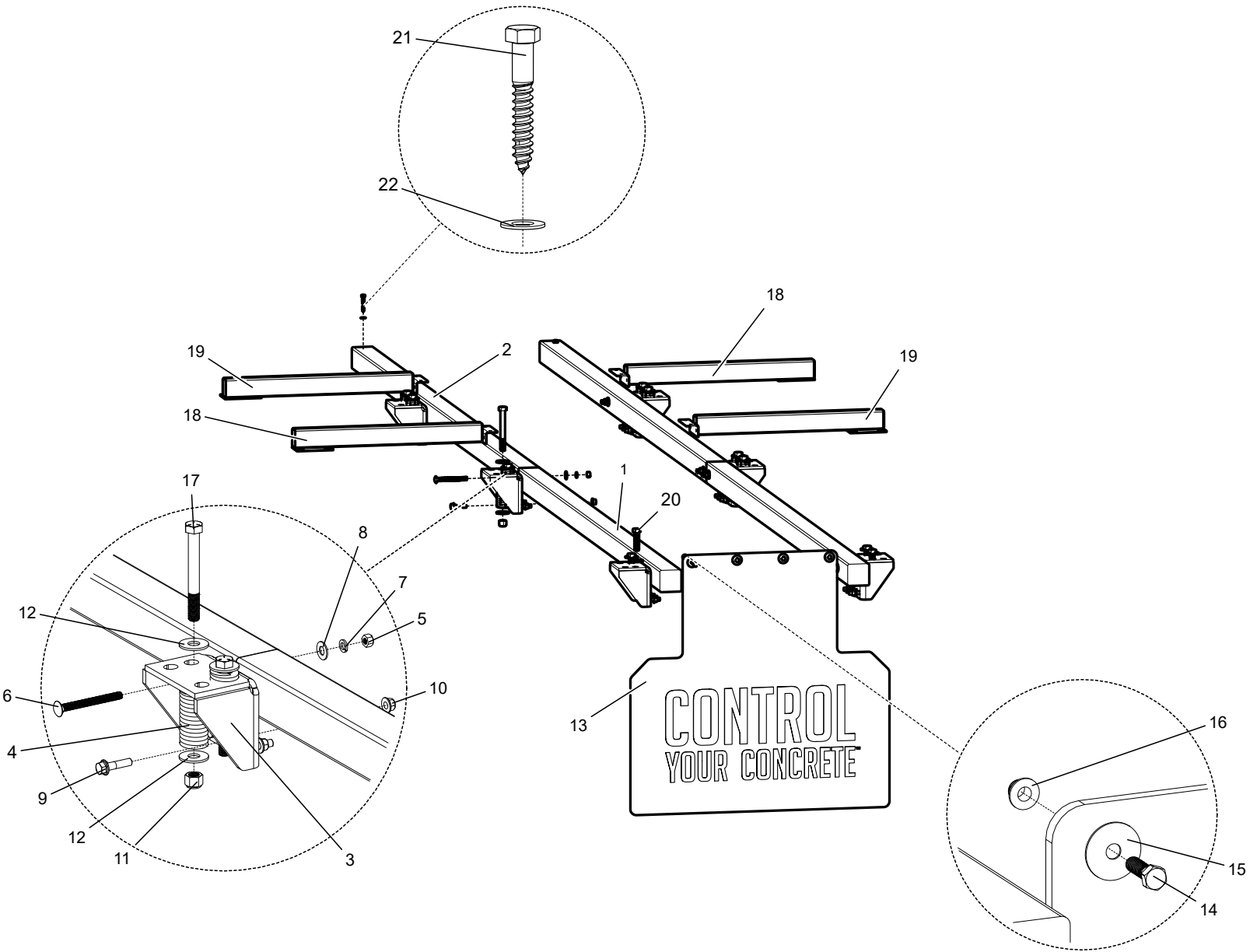
# Side Marker Light Wireloom



# Side Marker Light Wireloom

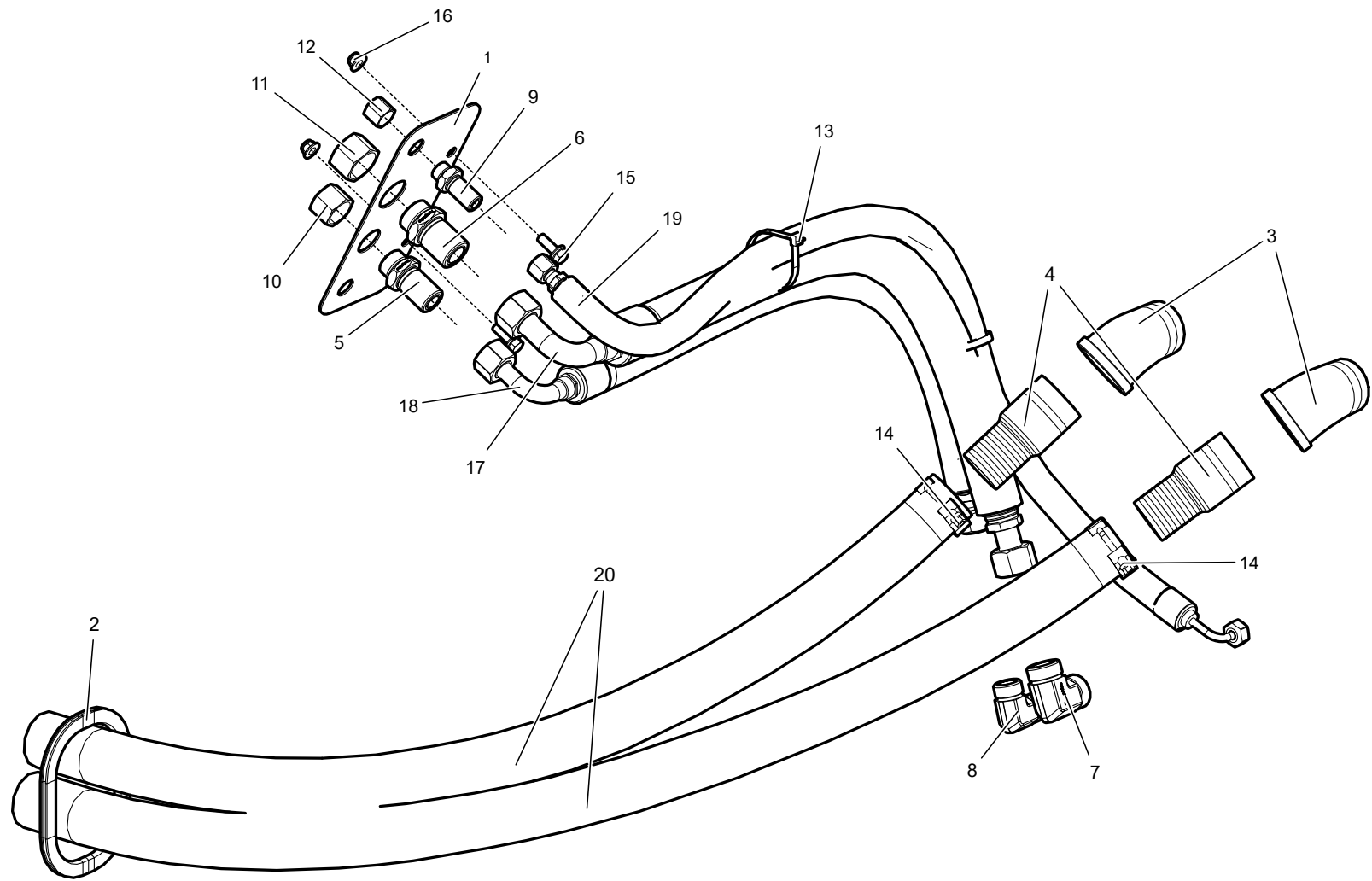
<i>Item</i>	<i>Description</i>	<i>Part Number</i>	<i>Qty</i>
1	LH CLEARANCE LIGHT WIRELOOM	2552-532-15	1
2	RH CLEARANCE LIGHT WIRELOOM	2552-532-16	1
3	WIRE TIE	5532-108	2

# Unit Mounting: Renault

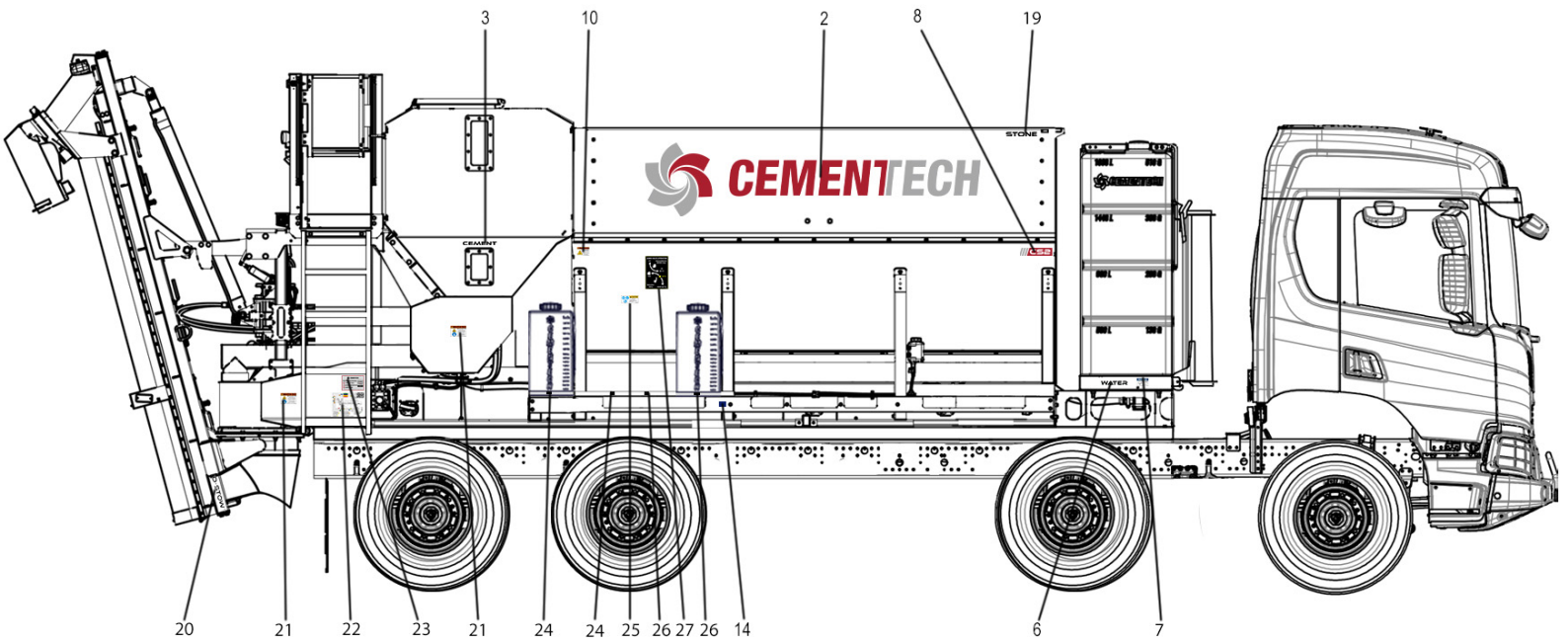
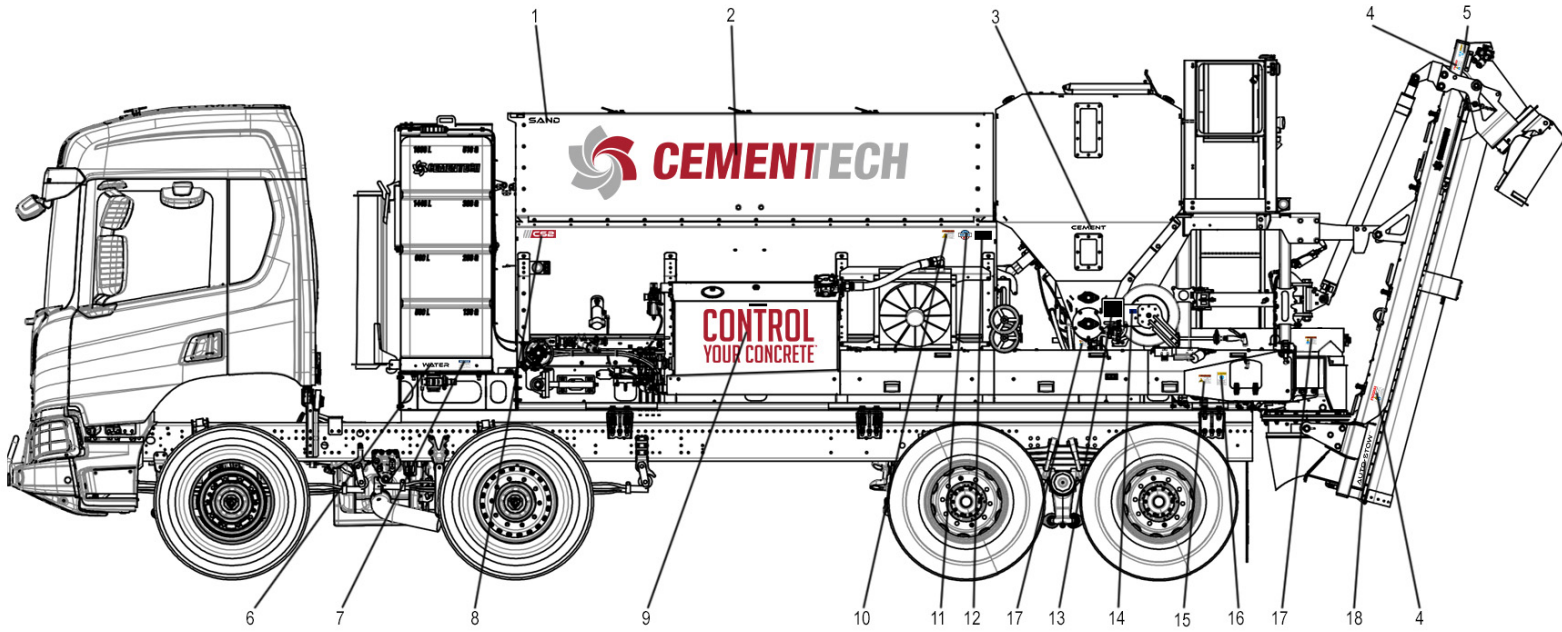


Item	Description	Part Number	Qty
1	PLASTIC LUMBER	5145-049-00	2
2	PLASTIC LUMBER	5145-054	2
3	TIE DOWN	2581-270-00	6
4	SPRING	5379-041	8
5	NUT	5300-413	8
6	CARRIAGE BOLT	5325-440	8
7	LOCK WASHER	5305-400	8
8	FLAT WASHER	5310-400	8
9	BOLT	5309-416-002	18
10	FLANGE LOCK NUT	5307-413-002	18
11	LOCK NUT	5302-710	12
12	FLAT WASHER	5370-700	24
13	MUD FLAP	5135-420-000	1
14	BOLT	315-210	4
15	FLAT FENDER WASHER	5310-221	4
16	FLANGE LOCK NUT	5307-216-000	4
17	BOLT	5315-752	8
18	SIDE GUARD MOUNT, RH	2581-297-00	2
19	SIDE GUARD MOUNT, LH	2581-296-00	2
20	BOLT	5315-724	4
21	LAG SCREW	5336-206-000	2
22	FLAT WASHER	5310-201-000	2

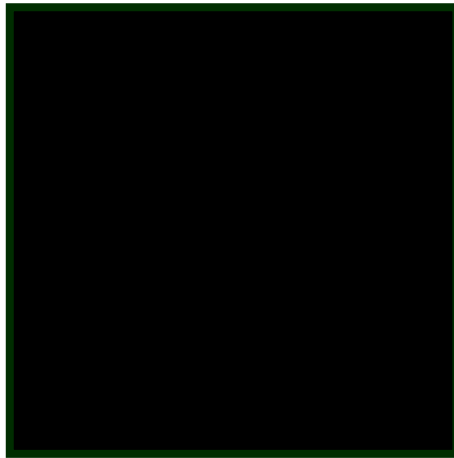
# Pump Mounting



Item	Description	Part Number	Qty
1	BRACKET: HYDRAULIC PUMP HOSES	2581-066-02	1
2	EDGE TRIM	5161-108	1.50'
3	ELBOW, STAINLESS	5004-180-001	2
4	KC NIPPLE	5070-180	2
5	BULKHEAD UNION	5223-045-002	1
6	BULKHEAD UNION	5223-046-002	1
7	HYDRAULIC ELBOW	5223-088-001	1
8	HYDRAULIC ELBOW	5223-000-003	1
9	BULKHEAD UNION	5223-044-002	1
10	CAP	5224-FF304-C-12	1
11	CAP	5224-FF304-C-16	1
12	CAP	5224-FF304-C-08	1
13	WIRE TIE	5532-115	2
14	T-BOLT CLAMP	5370-532.10	2
15	BOLT	5309-208-000	2
16	FLANGE LOCK NUT	5307-216-000	2
17	HYDRAULIC HOSE	2603-501-01	1
18	HYDRAULIC HOSE	2603-502-01	1
19	HYDRAULIC HOSE	2603-503-01	1
20	SUCTION/DISCHARGE HOSE	5400-322	21.00'



Item	Description	Part Number	Qty
1	SAND LABEL, BLK	0906-003-03	1
	SAND LABEL, WHT <sup>1</sup>	0906-004-03	1
2	CTI 88" LOGO, CLR	0906-095-02	2
	CTI 88" LOGO, WHITE <sup>1</sup>	0906-096-02	2
3	CEMENT LABEL, BLK	0906-097-02	2
	CEMENT LABEL, WHT <sup>1</sup>	0906-098-02	2
4	KEEP CLEAR OF AUGERS SM	0906-028-01	2
5	CEMENT CORROSION	0906-030-01	2
6	WATER LABEL, BLK	0906-009-03	2
	WATER LABEL, WHT <sup>1</sup>	0906-010-03	2
7	DO NOT OVERFILL	0906-040-01	2
8	CS2 AGBIN, CLR	0906-018-03	2
9	CONTROL YOUR CONCRETE, CLR	0906-099-02	1
	CONTROL YOUR CONCRETE, WHT <sup>1</sup>	0906-000-03	1
10	CHECK BEFORE LOADING	0906-024-01	2
11	MADE IN USA	0906-007-01	1
12	CTI SN PLATE	2332-001-00	1
13	WO/BO VALVE OPERATION	0906-034-03	1
14	FREEZE NOTICE	0906-091-01	2
15	STORED ENERGY	0906-035-01	1
16	LOUD NOISES	0906-033-01	1
17	KEEP CLEAR OF AUGERS LG	0906-025-01	4
18	AUTO-WASH	0906-021-03	1
19	STONE LABEL, BLK	0906-007-03	1
	STONE LABEL, WHT <sup>1</sup>	0906-008-03	1
20	AUTO-STOW	0906-020-03	1
21	OPERATE WITH COVERS	0906-027-01	2
22	LUBE DECAL, HYD CBIN	0906-031-03	1
	LUBE DECAL, MECH CBIN <sup>2</sup>	0906-032-03	1
23	PARTS AND SERVICE	0906-006-01	1
24	ADMIX 2 LABEL	2496-009-00	2
25	ADMIX CORROSION	0906-031-01	1
26	ADMIX 1 LABEL	2496-008-00	2
27	ADMIX VALVE OPERATION	0906-033-03	1



CTI BLACK



CTI WHITE



CTI GRAY

Item	Description	Part Number	Qty
1	CTI BLACK CAN	5705-018-001	12oz
2	CTI WHITE CAN	5705-003-001	12oz
3	CTI GRAY CAN	5705-090-001	12oz

*†The colors displayed in this manual may not accurately reflect the paint on your unit. To purchase all additional paint please contact your authorized Cemen Tech Parts Dealer.*

# How Does It Work...

In the early 1970's, Cemen Tech realized the advantages volumetric mixing had over traditional concrete production methods. The drawing below illustrates how a volumetric mixer works.

## Material Storage

Each concrete ingredient (sand, stone, cement, water, and admixture) is contained in a separate compartment. **(1)** Sand and stone are stored in open bins.

**(2)** Cement is stored in a closed, watertight bin behind the aggregates. **(3)** Water is provided in an auxiliary tank. **(4)** Conveniently located admixture tanks are integrated into the system.

## Setting The Controls

Once the storage bins are loaded, the operator will select the correct mix design for that pour. **(5)** The sand and stone gate will adjust to their correct position, and admixture and water flow rates are set.

## Concrete Production

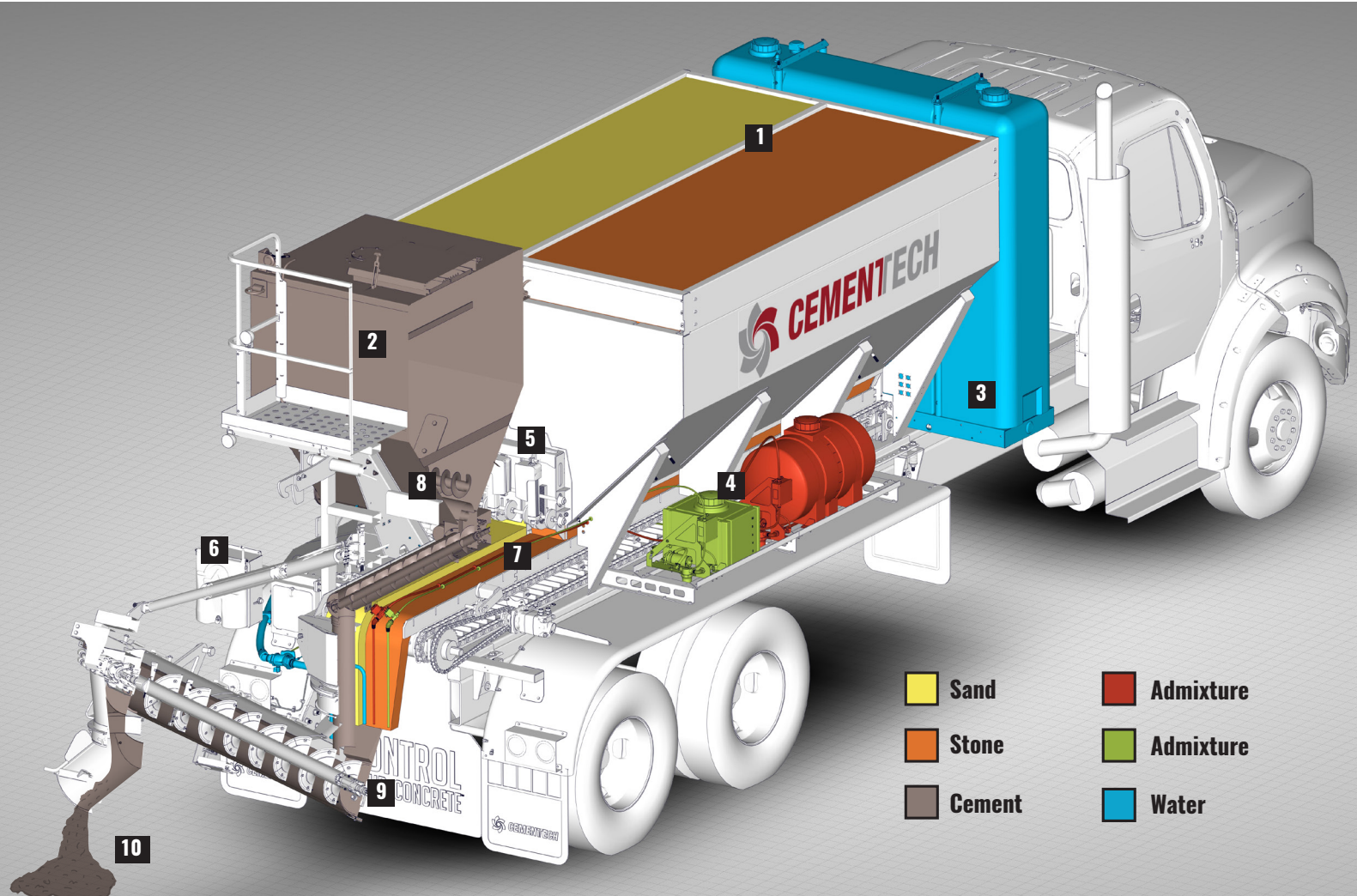
**(6)** The operator hits the start button to begin operation. **(7)** As the sand and stone exit their respective bins, they pass under the "strike off" gates. The materials then pass under the cement bin and falls into the mixing auger.

**(8)** The cement bin precisely meters the correct amount of cement onto the mix.

The dual auger cement metering means consistent mix designs within +/-1 percent on every pour. **(9)** All materials simultaneously enter the continuous mixer where they are thoroughly mixed by Cemen Tech's unique mix auger. **(10)** The homogeneous concrete mixture is then carried to the discharge chute. Perfect concrete is produced for each and every pour.

## The Results

- Superior Quality
- Exact Quantity
- No Waste



TO LEARN HOW TO CONTROL YOUR CONCRETE,  
CALL 800.247.2464 OR VISIT CEMENTTECH.COM





# ACCU-POUR™

## The SMART Solution For Volumetric Fleets



[accu-pour.com](http://accu-pour.com)



### ***CEMENTTECH***

# CONTROL YOUR CONCRETE™



**CEMENTECH**

**CHANGING THE INDUSTRY,  
CHANGING PEOPLE'S LIVES.**

Cemen Tech Inc.  
1700 N. 14th St. Indianola, IA 50125

[cementech.com](http://cementech.com)  
+1 800 247-2464 +1 515 961-7407

